

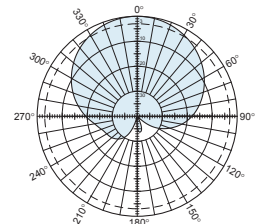
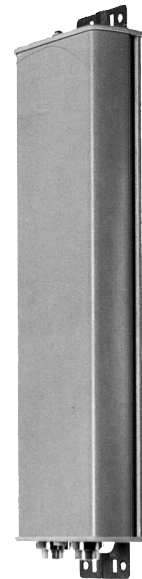
- X-polarized (+45° and -45°).
- UV resistant pulltruded radomes.
- Wideband vector dipole technology.
- DC Grounded metallic parts for impulse suppression.

**General specifications:**

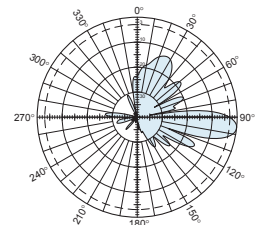
Frequency range	1710–2200 MHz
VSWR	<1.3:1
Impedance	50 ohms
Intermodulation (2x20w)	IM3: < -150 dBc
Polarization	+45° and -45°
Connector	2 x 7-16 DIN female
Electrical downtilt	6 degrees
Isolation	>30 dB
Maximum input power	250 watts (at 50°C) per input
Tracking, average	0.5 dB
Squint	±1.5°
Weight	8.4 lb (3.8 kg) including clamps
Dimensions	28.9 x 6.1 x 2.7 inches (735 x 155 x 69 mm)
Wind load Front/Side/Rear	at 93 mph (150kph) 42 lbf / 15 lbf / 50 lbf (185 N) / (65 N) / (220 N)
Mounting category	L (Light)
Wind survival rating*	120 mph (200 kph)
Shipping dimensions	39.4 x 6.8 x 3.7 inches (1000 x 172 x 95 mm)
Shipping weight	10.4 lb (4.7 kg)
Mounting	Band clamps for 1.8 to 4.9 inch (45 to 115 mm) OD masts are included. Fixed and tilt mount options are available for 2 to 4.6 inch (50 to 115 mm) OD masts.

See reverse for order information.

Specifications:	1710–1880 MHz	1850–1990 MHz	1920–2200 MHz
Gain	15.2 dBi	15.5 dBi	15.7 dBi
+45° and -45° polarization horizontal beamwidth	66° (half-power)	66° (half-power)	64° (half-power)
+45° and -45° polarization vertical beamwidth	13.1° (half-power)	12.2° (half-power)	11.1° (half-power)
Front-to-back ratio	>30 dB (co-polar)	>30 dB (co-polar)	>30 dB (co-polar)
Sidelobe suppression for first sidelobe above main beam	>15 dB	>18 dB	>18 dB
First null-fill below main beam	25 dB (typical)	25 dB (typical)	25 dB (typical)
Cross polar ratio			
Main direction 0°	19 dB (typical)	18 dB (typical)	18 dB (typical)
Sector ±60°	>10 dB	>10 dB	>10 dB



Horizontal pattern  
±45°- polarization



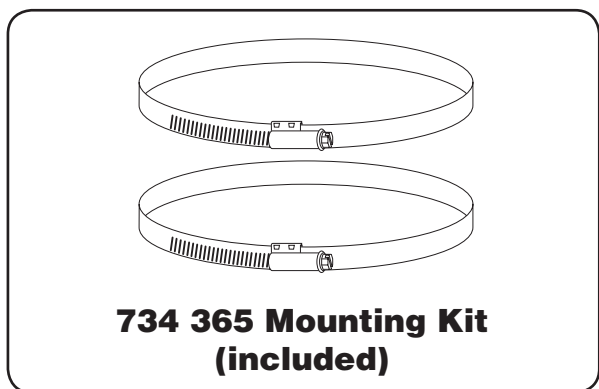
Vertical pattern  
±45°- polarization  
6° electrical downtilt

\* Mechanical design is based on environmental conditions as stipulated in TIA-222-G-2 (December 2009) and/or ETS 300 019-1-4 which include the static mechanical load imposed on an antenna by wind at maximum velocity. See the Engineering Section of the catalog for further details.



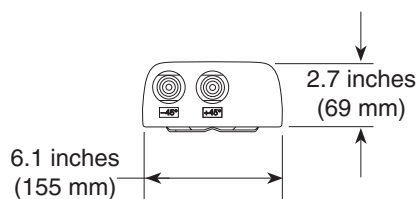
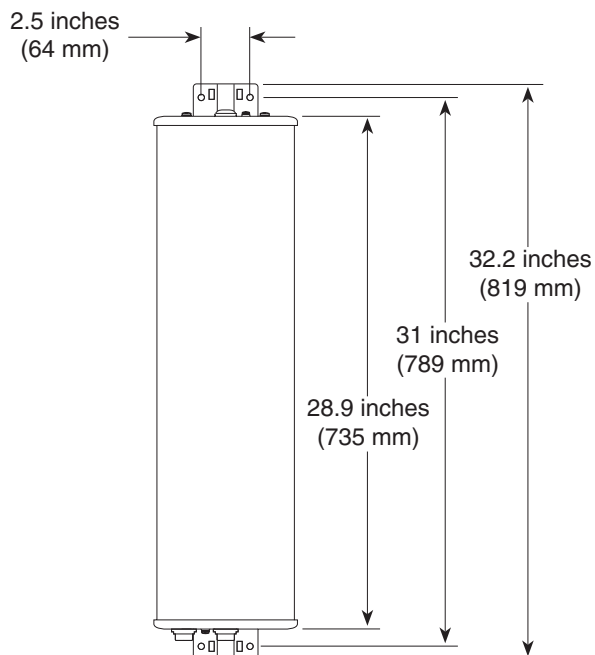
11332-B  
936.3970/b



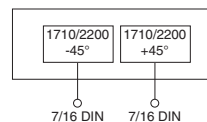


**Mounting Options:**

Model	Description
734 365 (included)	Mounting Kit for 1.8 to 4.9 inch (45 to 125 mm) OD mast.
742 263	Three-panel Sector Mounting Kit (120 deg. ea.) for 3.5 inch (89 mm) OD mast.
732 327	Tilt Kit for use with the above mounting kits, 0–17 degrees downtilt angle.



Profile PF5



**Order Information:**

Model	Description
800 10424V01	Antenna with 2 x 7-16 DIN connectors

All specifications are subject to change without notice. The latest specifications are available at [www.kathrein-scala.com](http://www.kathrein-scala.com).

Kathrein Inc., Scala Division Post Office Box 4580 Medford, OR 97501 (USA) Phone: (541) 779-6500 Fax: (541) 779-3991  
Email: [communications@kathrein.com](mailto:communications@kathrein.com) Internet: [www.kathrein-scala.com](http://www.kathrein-scala.com)