

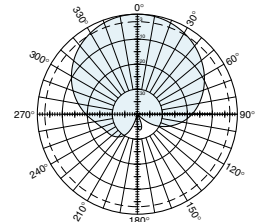
Kathrein wideband X-polarized antennas are designed for use in PCS and 3G/UMTS polarization diversity systems.

- X-polarized (+45° and -45°).
- UV resistant pulltruded radomes.
- Wideband vector dipole technology.
- DC Grounded metallic parts for impulse suppression.

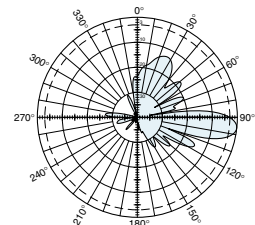
General specifications:

Frequency range	1710–2200 MHz
VSWR	<1.3:1
Impedance	50 ohms
Intermodulation (2x20w)	IM3: < -150 dBc
Polarization	+45° and -45°
Connector	2 x 7-16 DIN female
Electrical downtilt	6 degrees
Isolation	>30 dB
Maximum input power	250 watts (at 50°C) per input
Weight	8.2 lb (3.7 kg)
Dimensions	28.9 x 6.1 x 2.7 inches (735 x 155 x 69 mm)
Wind load Front/Side/Rear	at 93 mph (150kph) 43 lbf / 13 lbf / 50 lbf (190 N) / (55 N) / (220 N)
Wind survival rating*	120 mph (200 kph)
Shipping dimensions	39.4 x 6.8 x 3.7 inches (1000 x 172 x 95 mm)
Shipping weight	10.4 lb (4.7 kg)
Mounting	Fixed and tilt mount options are available for 2 to 5.7 inch (50 to 145 mm) OD masts.

See reverse for order information.



Horizontal pattern
±45°- polarization

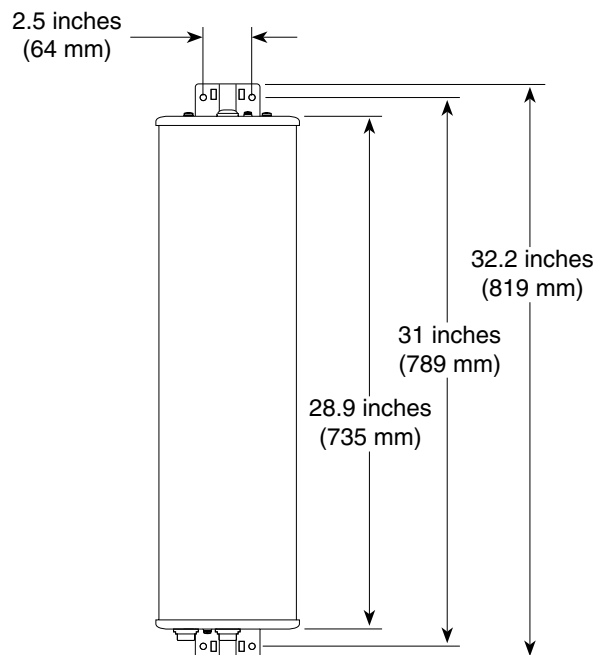
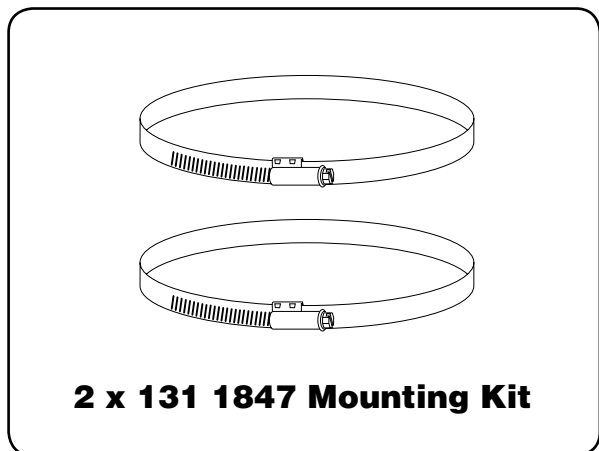


Vertical pattern
±45°- polarization
6° electrical downtilt

Specifications:	1710–1880 MHz	1850–1990 MHz	1920–2200 MHz
Gain	15.2 dBi	15.5 dBi	15.7 dBi
+45° and -45° polarization horizontal beamwidth	66° (half-power)	66° (half-power)	64° (half-power)
+45° and -45° polarization vertical beamwidth	13.1° (half-power)	12.2° (half-power)	11.1° (half-power)
Front-to-back ratio	>30 dB (co-polar)	>30 dB (co-polar)	>30 dB (co-polar)
Sidelobe suppression for first sidelobe above main beam	>15 dB	>18 dB	>18 dB
First null-fill below main beam	25 dB (typical)	25 dB (typical)	25 dB (typical)
Cross polar ratio			
Main direction 0°	19 dB (typical)	18 dB (typical)	18 dB (typical)
Sector ±60°	>10 dB	>10 dB	>10 dB

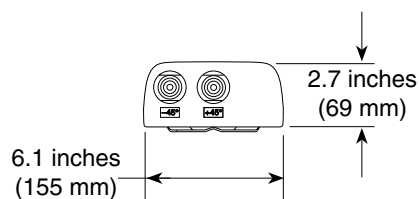
* Mechanical design is based on environmental conditions as stipulated in TIA-222-G-2 (December 2009) and/or ETS 300 019-1-4 which include the static mechanical load imposed on an antenna by wind at maximum velocity. See the Engineering Section of the catalog for further details.



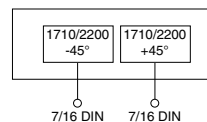


Mounting Options:

Model	Description
2 x 131 1847	Mounting Kit for 2 to 5.7 inch (50 to 145 mm) OD mast.
742 263	Three-panel Sector Mounting Kit (120 deg. ea.) for 3.5 inch (89 mm) OD mast.
732 327	Tilt Kit for use with the above mounting kits, 0–17 degrees downtilt angle.



Profile PF5



Order Information:

Model	Description
800 10424	Antenna with 2 x 7-16 DIN connectors

All specifications are subject to change without notice. The latest specifications are available at www.kathrein-scala.com.

Kathrein Inc., Scala Division Post Office Box 4580 Medford, OR 97501 (USA) Phone: (541) 779-6500 Fax: (541) 779-3991
Email: communications@kathrein.com Internet: www.kathrein-scala.com