

Kathrein panels are antenna products for wireless communications.

Kathrein panels feature:

- Heavy-duty construction using the highest quality materials: UV resistant pulltruded fiberglass radomes, stainless steel fasteners and hardware, rigid aluminum reflectors, and low loss coaxial cable power divider harness, all contributing to long, trouble free service life.
- Superior electrical specifications including low VSWR, wide bandwidth, flat frequency response, and superb intermodulation performance.

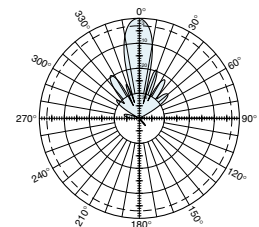


General specifications:

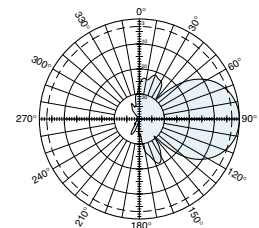
Frequency range	1710–2180 MHz
VSWR	<1.5:1
Impedance	50 ohms
Intermodulation (2x20w)	IM3:< -150dBc
Polarization	Vertical
Front-to-back ratio (180° ± 30°)	>30 dB (co-polar)
Maximum input power	300 watts per input (at 50°C)
Connector	7-16 DIN female
Weight	19.8 lb (9 kg)
Dimensions	29.3 x 11.6 x 2.7 inches (743 x 299 x 69 mm)
Equivalent flat plate area	3.84 ft ² (0.357 m ²)
Wind survival rating*	120 mph (200 kph)
Shipping dimensions	33.5 x 17.4 x 4.9 inches (852 x 442 x 124 mm)
Mounting	Fixed mount options are available for 2 to 4.6 inch (50 to 115 mm) OD masts.

See reverse for order information.

Specifications:	1710–1880 MHz	1850–1990 MHz	1920–2180 MHz
Average gain	18.1 dBi	18.4 dBi	18.7 dBi
H-plane beamwidth	13.3° (half-power)	12.8° (half-power)	12° (half-power)
Sidelobe suppression horizontal pattern	>18 dB	>18 dB	>17 dB
E-plane beamwidth	37° (half-power)	36° (half-power)	36° (half-power)
Sidelobe suppression for first sidelobe above main beam vertical pattern	>18 dB	>18 dB	>18 dB



H-plane
Horizontal pattern
V-polarization

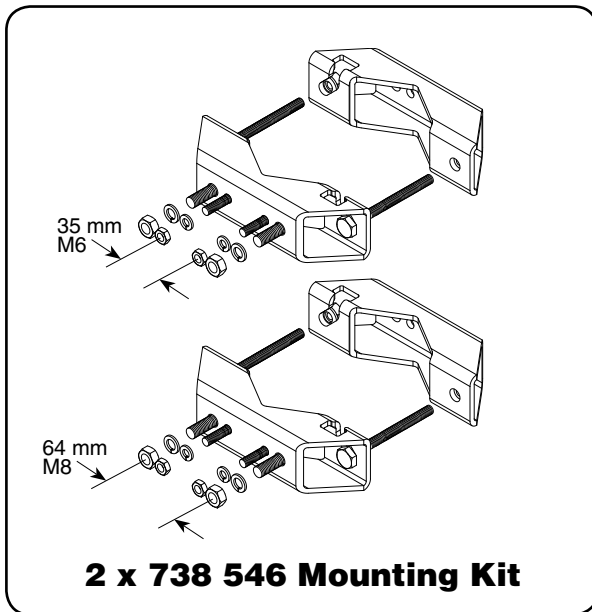


E-plane
Vertical pattern
V-polarization

* Mechanical design is based on environmental conditions as stipulated in EIA-222-F (June 1996) and/or ETS 300 019-1-4 which include the static mechanical load imposed on an antenna by wind at maximum velocity. See the Engineering Section of the catalog for further details.

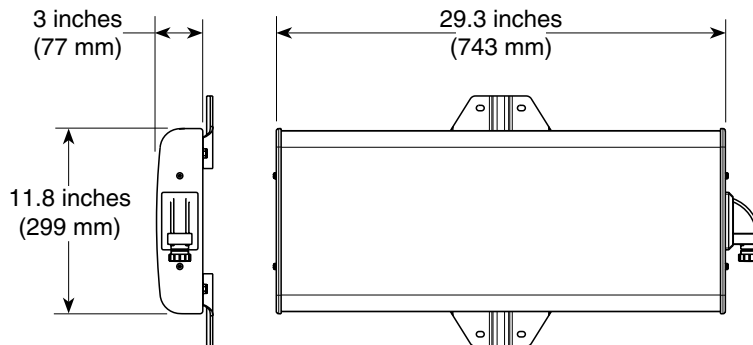


10908-A
936.2945/a



Mounting Options:

Model	Description
2 x 738 546	Mounting Kit for 2 to 4.6 inch (50 to 115 mm) OD mast.



Order Information:

Model	Description
800 10368	Antenna with 7-16 DIN connector

All specifications are subject to change without notice. The latest specifications are available at www.kathrein-scala.com.

Kathrein Inc., Scala Division Post Office Box 4580 Medford, OR 97501 (USA) Phone: (541) 779-6500 Fax: (541) 779-3991
 Email: communications@kathrein.com Internet: www.kathrein-scala.com