



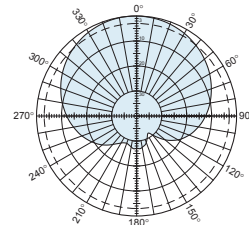
- X-polarized (+45° and -45°).
- UV resistant fiberglass radomes.
- Wideband vector dipole technology.
- DC Grounded metallic parts for impulse suppression.

General specifications:

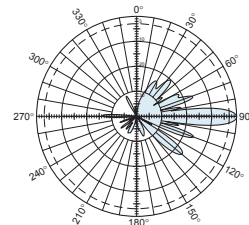
Frequency range	790–960 MHz
VSWR	<1.5:1
Impedance	50 ohms
Intermodulation (2x20w)	IM3: <-153 dBc
Polarization	+45° and -45°
Maximum input power	500 watts per input (at 50°C)
Connector	2 x 7-16 DIN female
Isolation	>30 dB
Tracking, average	0.5 dB
Squint	±3.5°
Weight	30.9 lb (14 kg) 35.3 lb (16 kg) clamps included
Dimensions	101.3 x 10.2 x 3.9 inches (2574 x 259 x 99 mm)
Wind load	at 93 mph (150kph)
Front/Side/Rear	214 lbf / 95 lbf / 286 lbf (950 N) / (420 N) / (1270 N)
Mounting category	H (Heavy)
Wind survival rating*	120 mph (200 kph)
Shipping dimensions	113.2 x 10.7 x 5 inches (2876 x 272 x 127 mm)
Mounting	Fixed mounts for 2 to 4.6 inch (50 to 115 mm) OD masts are included and tilt options are available.

See reverse for order information.

* Mechanical design is based on environmental conditions as stipulated in TIA-222-G-2 (December 2009) and/or ETS 300 019-1-4 which include the static mechanical load imposed on an antenna by wind at maximum velocity. See the Engineering Section of the catalog for further details.



Horizontal pattern
±45°-polarization



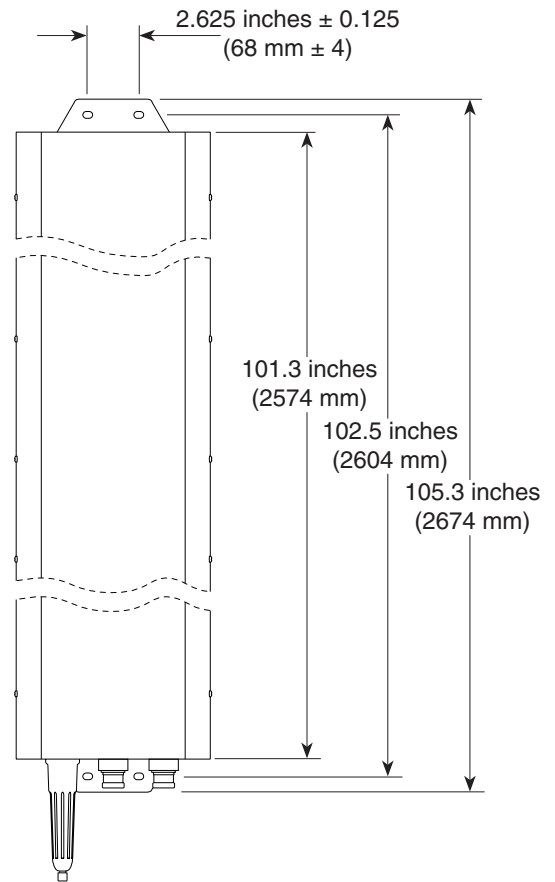
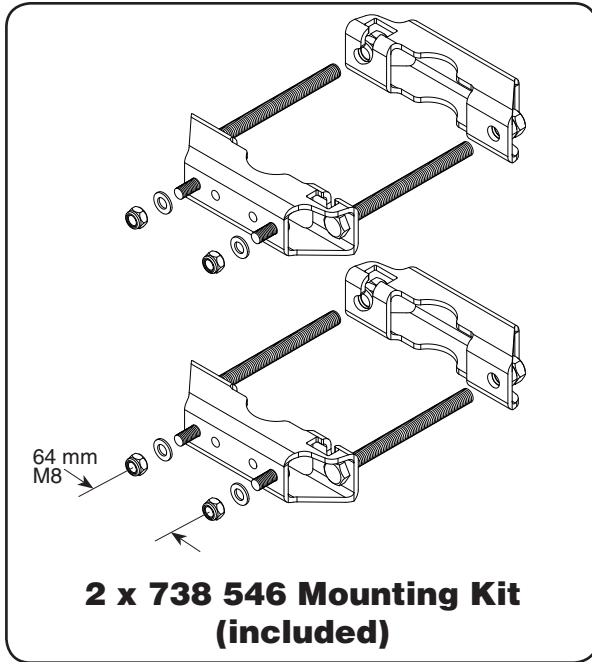
Vertical pattern
±45°-polarization
0.5°–9.5° electrical downtilt

Specifications:		790–862 MHz			824–894 MHz			880–960 MHz		
Average gain	tilt	0.5°	5°	9.5°	0.5°	5°	9.5°	0.5°	5°	9.5°
	dBi	15.8	15.6	15.4	16	15.9	15.8	16.2	16.2	16.2
Front-to-back ratio	(180°±0°)	>24 dB			>24 dB			>26 dB		
	(180°±30°)	>20 dB			>22 dB			>24 dB		
Horizontal beamwidth		86° (half-power)			85° (half-power)			83° (half-power)		
Vertical beamwidth		8.1° (half-power)			7.9° (half-power)			7.6° (half-power)		
Electrical downtilt		0.5°–9.5°			0.5°–9.5°			0.5°–9.5°		
	continuously adjustable	(manual or optional remote control)								
Sidelobe suppression for:		0.5°	5°	9.5° T	0.5°	5°	9.5° T	0.5°	5°	9.5° T
First sidelobe above main beam		≥18	14	14 dB	≥18	17	16 dB	≥17	16	16 dB
Cross polar ratio										
Main direction	0°	20 dB (typical)			20 dB (typical)			20 dB (typical)		
Sector	±60°	>10 dB			>10 dB			>10 dB		



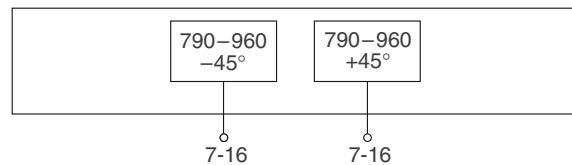
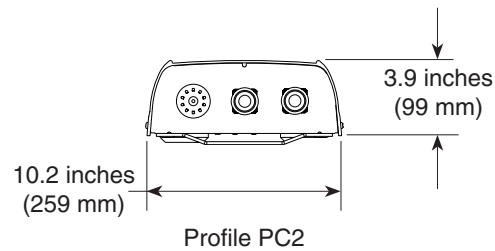
11311-A
936.3996/c





Mounting Options:

Model	Description
2 x 738 546 (included)	Mounting Kit for 2 to 4.6 inch (50 to 115 mm) OD mast. 4.4 lb (2 kg)
850 10007	Tilt Mount Kit 0–8 degrees downtilt angle.



Order Information:

Model	Description
800 10310V01	Antenna with 7-16 DIN connectors

All specifications are subject to change without notice. The latest specifications are available at www.kathrein-scala.com.

Kathrein Inc., Scala Division Post Office Box 4580 Medford, OR 97501 (USA) Phone: (541) 779-6500 Fax: (541) 779-3991
Email: communications@kathrein.com Internet: www.kathrein-scala.com