

Kathrein's X-polarized antennas are designed for use in digital polarization diversity systems.

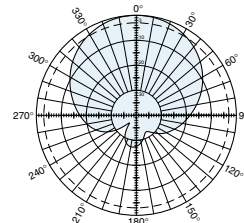
- X-polarized (+45° and -45°).
- UV resistant fiberglass radomes.
- Wideband vector dipole technology.
- DC Grounded metallic parts for impulse suppression.

General specifications:

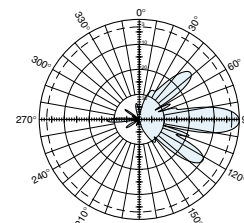
Frequency range	806–960 MHz
VSWR	<1.5:1
Front-to-back ratio	>25 dB (co-polar)
Impedance	50 ohms
Intermodulation (2x20w)	IM3: <-150 dBc
Polarization	+45° and -45°
Maximum input power	400 watts per input (at 50°C)
Connector	2 x 7-16 DIN female
Isolation	>30 dB
Weight	28.7 lb (13 kg)
Dimensions	66.7 x 10.2 x 3.9 inches (1694 x 259 x 99 mm)
Wind load Front/Side/Rear	at 93 mph (150kph) 133 lbf / 66 lbf / 183 lbf (590 N) / (290 N) / (810 N)
Wind survival rating*	120 mph (200 kph)
Shipping dimensions	77.8 x 11.5 x 7.6 inches (1976 x 292 x 192 mm)
Mounting	Fixed and tilt mount options are available for 2 to 4.6 inch (50 to 115 mm) OD masts.

See reverse for order information.

* Mechanical design is based on environmental conditions as stipulated in EIA-222-G (April 2007) and/or ETS 300 019-1-4 which include the static mechanical load imposed on an antenna by wind at maximum velocity. See the Engineering Section of the catalog for further details.



Horizontal pattern
±45°-polarization



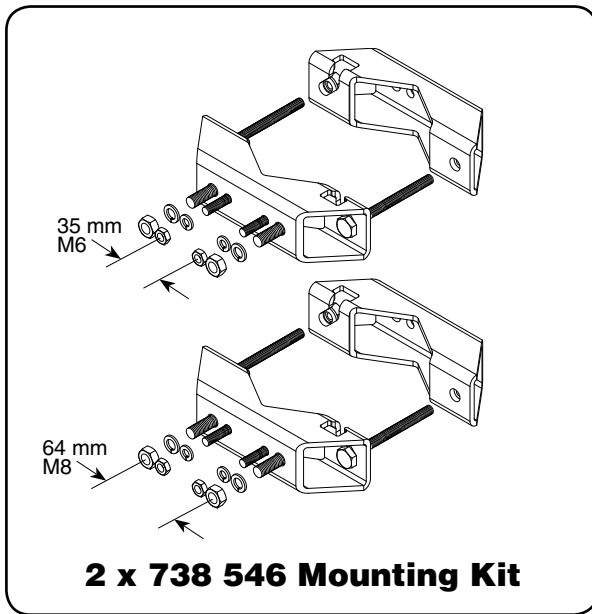
Vertical pattern
±45°-polarization
0°–10° electrical downtilt



Specifications:	806–866 MHz				824–894 MHz				880–960 MHz				
Average gain	tilt	0°	5°	10°	0°	5°	10°	0°	5°	10°	0°	5°	10°
	dBi	15.6	15.8	15.5	15.7	16.1	15.7	16	16.3	15.9			
Horizontal beamwidth		69° (half-power)				67° (half-power)				65° (half-power)			
Vertical beamwidth		12.5° (half-power)				12° (half-power)				11.5° (half-power)			
Electrical downtilt		0°–10°				0°–10°				0°–10°			
continuously adjustable		(manual or optional remote control)											
Sidelobe suppression for:													
First sidelobe above main beam		0°	3°	6°	10° T	0°	3°	6°	10° T	0°	3°	6°	10° T
Vertical pattern		15	14	12	12 dB	15	15	15	14 dB	15	15	15	14 dB
Cross polar ratio													
Main direction	0°	25 dB (typical)				25 dB (typical)				25 dB (typical)			
Sector	±60°	>10 dB				>10 dB				>10 dB			

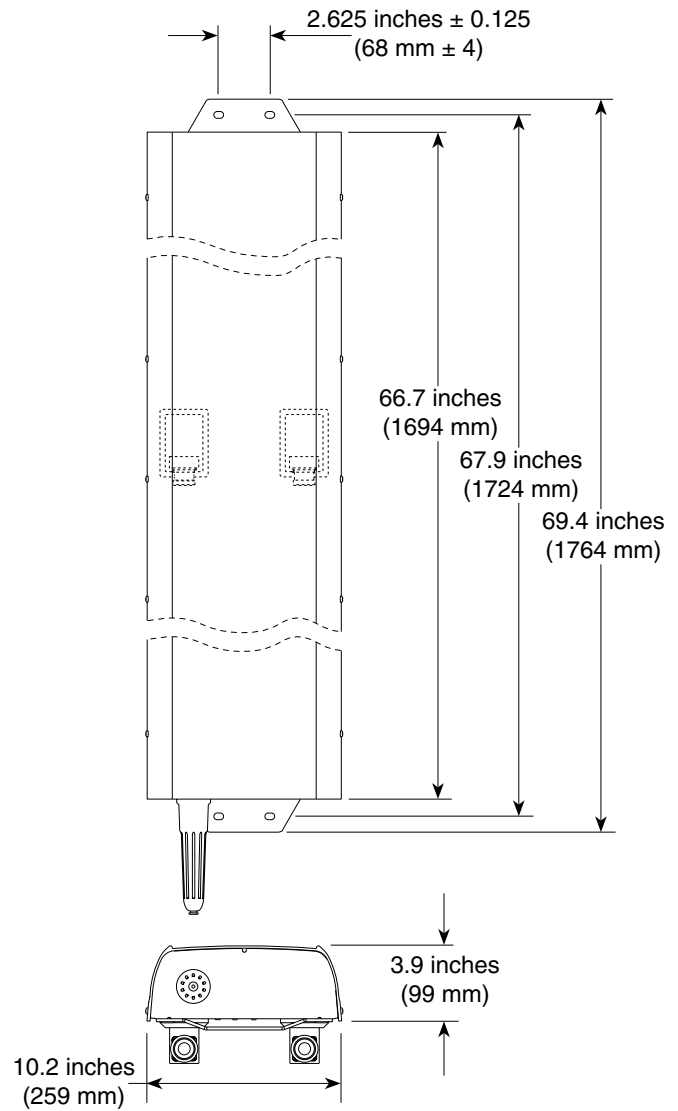
* Mechanical design is based on environmental conditions as stipulated in TIA-222-G-2 (December 2009) and/or ETS 300 019-1-4 which include the static mechanical load imposed on an antenna by wind at maximum velocity. See the Engineering Section of the catalog for further details.



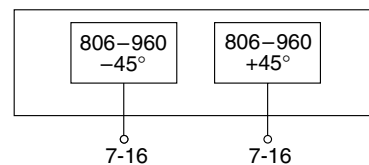


Mounting Options:

Model	Description
2 x 738 546	Mounting Kit for 2 to 4.6 inch (50 to 115 mm) OD mast.
850 10013	Tilt Mount Kit 0–12 degrees downtilt angle.



Profile PC2



Order Information:

Model	Description
800 10304	Antenna with 7-16 DIN connectors

All specifications are subject to change without notice. The latest specifications are available at www.kathrein-scala.com.

Kathrein Inc., Scala Division Post Office Box 4580 Medford, OR 97501 (USA) Phone: (541) 779-6500 Fax: (541) 779-3991
Email: communications@kathrein.com Internet: www.kathrein-scala.com