

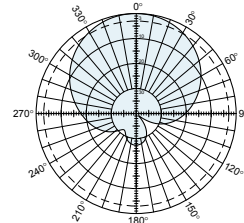
- X-polarized (+45° and -45°).
- UV resistant fiberglass radomes.
- Wideband vector dipole technology.
- DC Grounded metallic parts for impulse suppression.

General specifications:

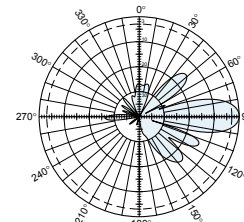
Frequency range	790–960 MHz
VSWR	<1.5:1
Front-to-back ratio	>25 dB (co-polar)
Impedance	50 ohms
Intermodulation (2x20w)	IM3: <-150 dBc
Polarization	+45° and -45°
Maximum input power	400 watts per input (at 50°C)
Connector	2 x 7-16 DIN female
Isolation	>30 dB
Weight	18.7 lb (8.5 kg) 23.1 lb (10.5 kg) clamps included
Dimensions	50.9 x 10.2 x 3.9 inches (1294 x 259 x 99 mm)
Wind load	at 93 mph (150kph)
Front/Side/Rear	99 lbf / 48 lbf / 138 lbf (440 N) / (210 N) / (610 N)
Mounting category	M (Medium)
Wind survival rating*	120 mph (200 kph)
Shipping dimensions	62.4 x 11.5 x 5.4 inches (1586 x 292 x 138 mm)
Mounting	Fixed mounts for 2 to 4.6 inch (50 to 115 mm) OD masts are included and tilt options are available.

See reverse for order information.

* Mechanical design is based on environmental conditions as stipulated in TIA-222-G-2 (December 2009) and/or ETS 300 019-1-4 which include the static mechanical load imposed on an antenna by wind at maximum velocity. See the Engineering Section of the catalog for further details.



Horizontal pattern
±45°-polarization



Vertical pattern
±45°-polarization
0°–14° electrical downtilt

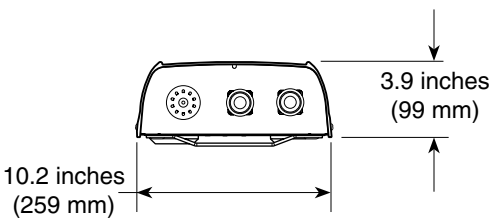
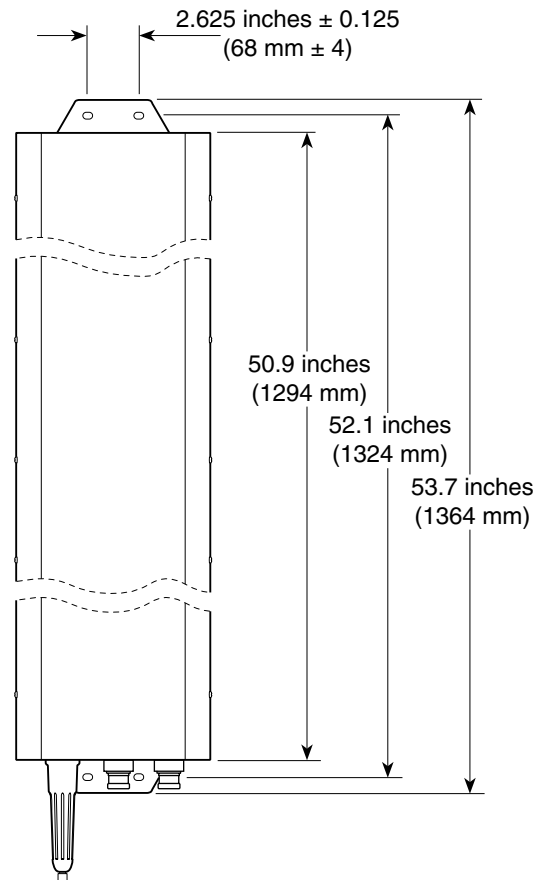
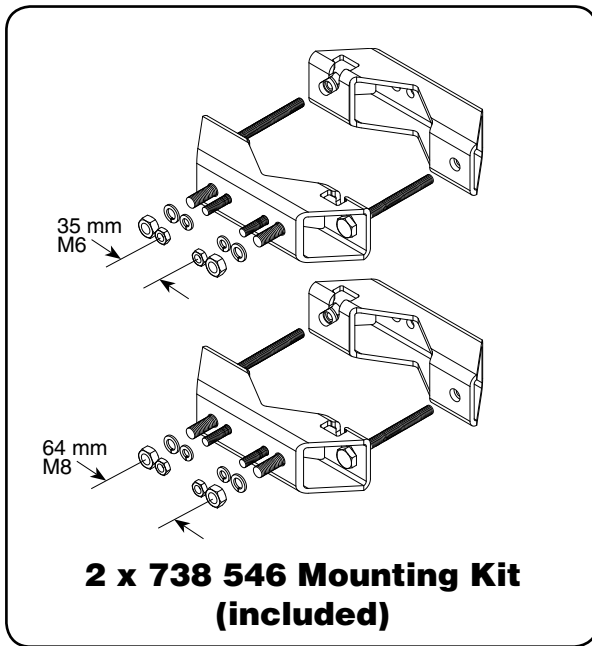


Specifications:		790–862 MHz			824–894 MHz			880–960 MHz		
Average gain	tilt	0°	7°	14°	0°	7°	14°	0°	7°	14°
	dB _i	14.5	14.4	14.3	14.7	14.5	14.4	15	14.8	14.7
Front-to-back ratio		>24 dB (co-polar)			>25 dB (co-polar)			>25 dB (co-polar)		
Horizontal beamwidth		67° (half-power)			66° (half-power)			65° (half-power)		
Vertical beamwidth		15.7° (half-power)			15.5° (half-power)			15° (half-power)		
Electrical downtilt		0°–14°			0°–14°			0°–14°		
	continuously adjustable	(manual or optional remote control)								
Sidelobe suppression for:		0°	7°	14° T	0°	7°	14° T	0°	7°	14° T
First sidelobe above horizon		15	14	15 dB	18	15	15 dB	18	15	15 dB
Cross polar ratio		25 dB (typical)			25 dB (typical)			25 dB (typical)		
Main direction	0°	>10 dB			>10 dB			>10 dB		
Sector	±60°	>10 dB			>10 dB			>10 dB		

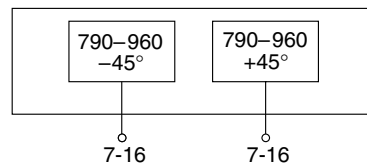


11368-A
936.3885/a





Profile PC2



Mounting Options:

Model	Description
2 x 738 546 (included)	Mounting Kit for 2 to 4.6 inch (50 to 115 mm) OD mast. 4 lb (1.8 kg)
850 10013	Tilt Mount Kit 0-16 degrees downtilt angle. 7.4 lb (3.7 kg)

Order Information:

Model	Description
800 10303V02	Antenna with 7-16 DIN connectors

All specifications are subject to change without notice. The latest specifications are available at www.kathrein-scala.com.

Kathrein Inc., Scala Division Post Office Box 4580 Medford, OR 97501 (USA) Phone: (541) 779-6500 Fax: (541) 779-3991
Email: communications@kathrein.com Internet: www.kathrein-scala.com