

Kathrein's X-polarized antennas are designed for use in digital polarization diversity systems.

- X-polarized (+45° and -45°).
- UV resistant pultruded radomes.
- Wideband vector dipole technology.
- DC Grounded metallic parts for impulse suppression.
- Downtilt options.

General specifications:

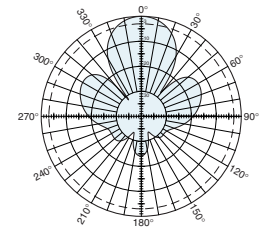
Frequency range	806–960 MHz
Impedance	50 ohms
VSWR	<1.5:1
Intermodulation (2x20w)	IM3: <-150 dBc
Polarization	+45° and -45°
Connector	2 x 7-16 DIN female
Isolation	>30 dB
Maximum input power	500 watts (at 50°C) per input
Weight	66 lb (30 kg)
Dimensions	88.7 x 20.7 x 3.9 inches (2254 x 527 x 99 mm)
Wind load Front/Side/Rear	at 93 mph (150kph) 371 lbf / 90 lbf / 421 lbf (1650 N) / (400 N) / (1870 N)
Wind survival rating*	120 mph (200 kph)
Shipping dimensions	95 x 22.2 x 8 inches (2416 x 564 x 204 mm)
Mounting	Fixed and tilt mount options are available for 2 to 4.6 inch (50 to 115 mm) OD masts.

See reverse for order information.

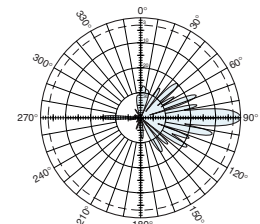
* Mechanical design is based on environmental conditions as stipulated in EIA-222-G-2 (December 2009) and/or ETS 300 019-1-4 which include the static mechanical load imposed on an antenna by wind at maximum velocity. See the Engineering Section of the catalog for further details.



Specifications:	806–866 MHz	824–894 MHz	880–960 MHz
Gain	20.2 dBi	20.4 dBi	20.8 dBi
Front-to-back ratio	>24 dB (co-polar)	>24 dB (co-polar)	>24 dB (co-polar)
+45° and -45° polarization horizontal beamwidth	34° (half-power)	33° (half-power)	30° (half-power)
+45° and -45° polarization vertical beamwidth	8.5° (half-power)	8.2° (half-power)	7.5° (half-power)
Sidelobe suppression for first sidelobe above horizon	>15 dB	>15 dB	>15 dB
sector 0°–30° above horizon	>15 dB	>15 dB	>15 dB
Cross polar ratio Main direction	0° >25 dB	>25 dB	>25 dB



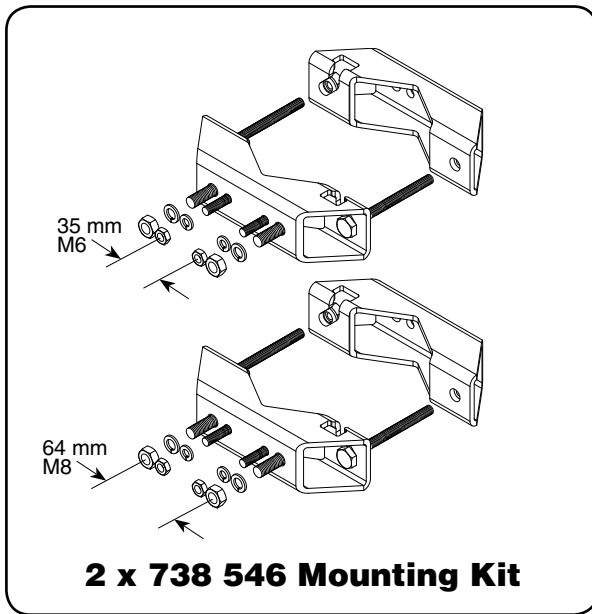
H-plane
Horizontal pattern
±45°-polarization



E-plane
Vertical pattern
±45°-polarization

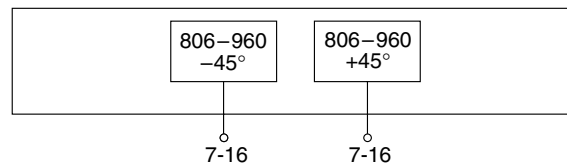
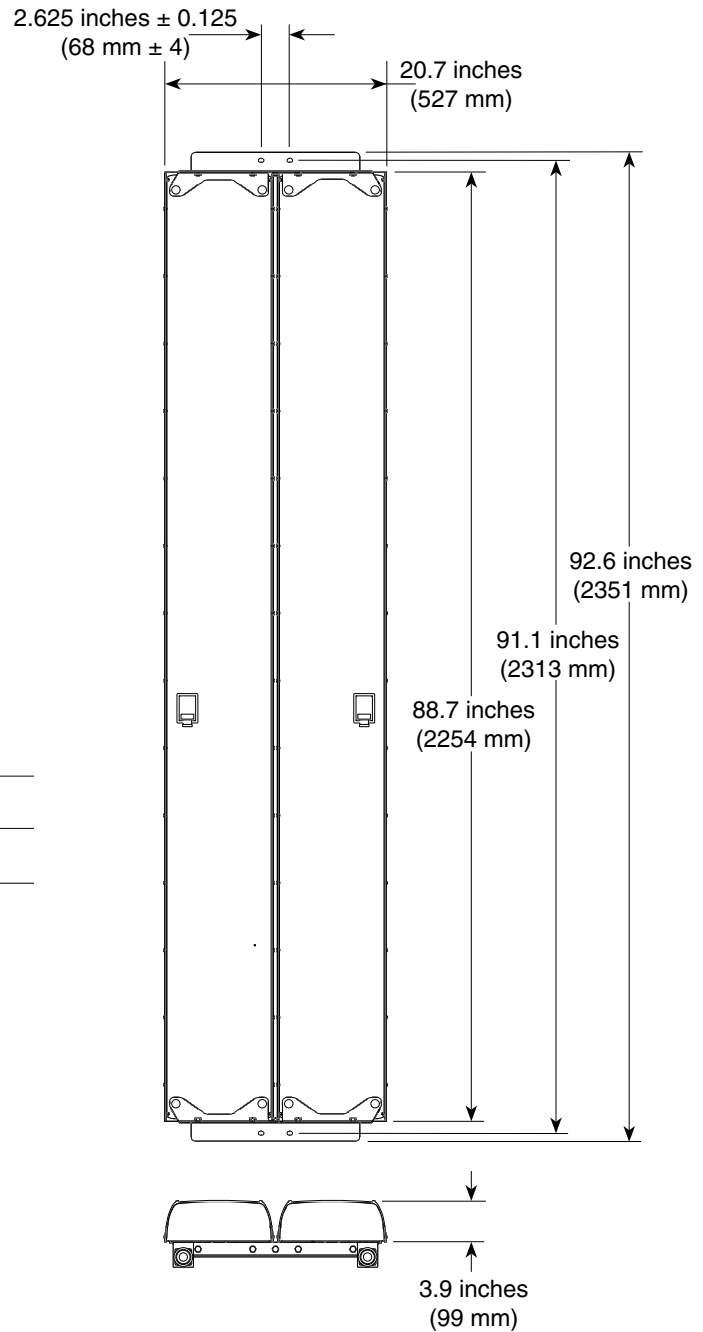


10856-E
936.2669/b



Mounting Options:

Model	Description
2 x 738 546	Mounting Kit for 2 to 4.6 inch (50 to 115 mm) OD mast.
850 10007	Tilt Mount Kit 0–10 degrees downtilt angle.



Order Information:

Model	Description
800 10302	Antenna with 7-16 DIN connectors

All specifications are subject to change without notice. The latest specifications are available at www.kathrein-scala.com.

Kathrein Inc., Scala Division Post Office Box 4580 Medford, OR 97501 (USA) Phone: (541) 779-6500 Fax: (541) 779-3991
Email: communications@kathrein.com Internet: www.kathrein-scala.com