

65° Tripleband Directional Antenna

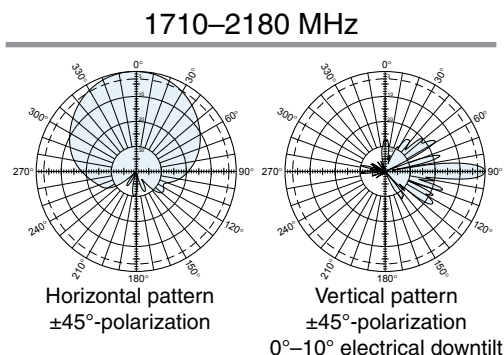
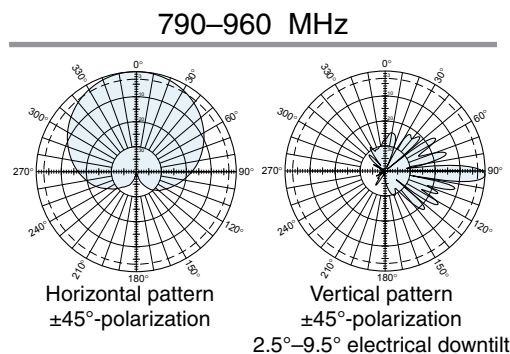
Kathrein's multi-band antennas are ready for 3G applications, covering all existing wireless bands as well as all spectrum under consideration for future systems, AMPS, PCS and 3G/UMTS. These cross-polarized antennas offer diversity operation in the same space as a conventional 800 MHz antenna, and are mountable on our compact sector brackets.

- Wide band operation.
- Exceptional intermodulation characteristics.
- Remote control ready.
- AISG compatible.
- High strength pultruded fiberglass radome.

General specifications:

Frequency range	790–960 MHz 1710–2180 MHz
Impedance	50 ohms
VSWR	<1.5:1
Intermodulation (2x20w)	IM3: <150 dBc
Polarization	+45° and -45°
Connector	6 x 7-16 DIN female
Isolation intrasystem	>30 dB
intersystem	>36 dB (790–960 // 1710–2180 MHz) >36 dB (1710–2180 // 1710–2180 MHz)
Weight	79.4 lb (36 kg) 83.3 lb (38 kg) clamps included
Dimensions	106.1 x 10.3 x 5.9 inches (2694 x 262 x 149 mm)
Wind load	at 93 mph (150kph)
Front/Side/Rear	196 lbf / 117 lbf / 297 lbf (870 N / 520 N / 1320 N)
Mounting category	H (Heavy)
Wind survival rating*	120 mph (200 kph)
Shipping dimensions	119.1 x 11.1 x 7.2 inches (3026 x 282 x 182 mm)
Mounting	Fixed mounts for 2 to 4.6 inch (50 to 115 mm) OD masts are included and tilt options are available.

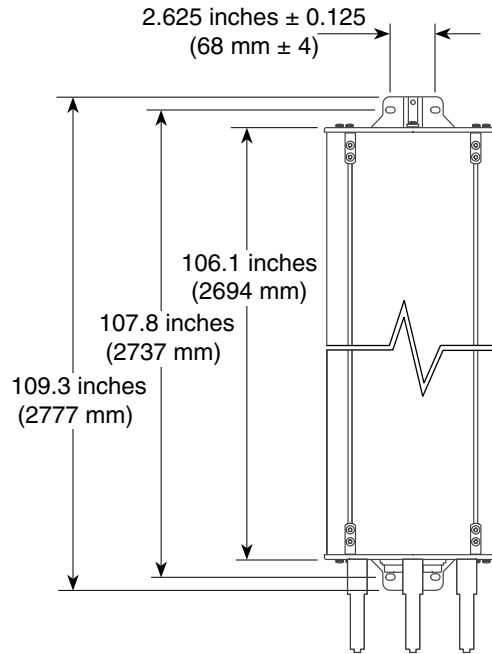
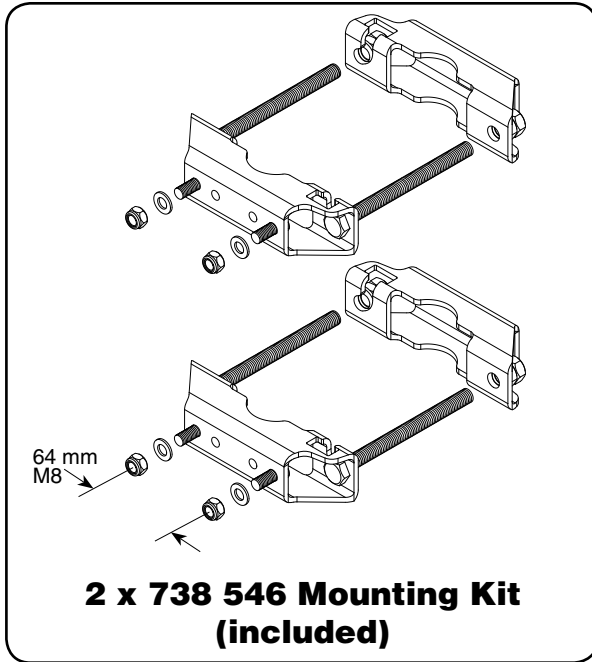
See reverse for order information.



Specifications:	790–862 MHz	824–894 MHz	880–960 MHz	1710–1880 MHz	1850–1990 MHz	1920–2180 MHz
Gain (dbi)	2.5° 6° 9.5° T 16.8 17.0 16.8	2.5° 6° 9.5° T 17.0 17.1 17.0	2.5° 6° 9.5° T 17.4 17.4 17.1	0° 5° 10° T syst 1 16.5 16.7 16.5 syst 2 16.2 16.3 16.1	0° 5° 10° T 17.0 17.1 16.7 16.7 16.7 16.4	0° 5° 10° T 17.3 17.4 16.8 17.0 17.0 16.5
Front-to-back ratio	>30 dB (co-polar)	>30 dB (co-polar)	>30 dB (co-polar)	>26 dB (co-polar)	>26 dB (co-polar)	>26 dB (co-polar)
Maximum input power per input (at 50°C)	250 watts	250 watts	250 watts	200 watts	200 watts	200 watts
+45° and -45° polarization horizontal beamwidth	69° (half-power)	68° (half-power)	66° (half-power)	65° (half-power)	64° (half-power)	60° (half-power)
vertical beamwidth	7.8° (half-power)	7.6° (half-power)	7.1° (half-power)	7.4° (half-power)	7.2° (half-power)	6.8° (half-power)
Electrical downtilt continuously adjustable	2.5°–9.5° (manual or optional remote control)	2.5°–9.5°	2.5°–9.5°	0°–10°	0°–10°	0°–10°
Sidelobe suppression for 1 st sidelobe above main beam	2.5° 6° 9.5° T 17 16 14 dB	2.5° 6° 9.5° T 17 16 14 dB	2.5° 6° 9.5° T 17 16 14 dB	0° 5° 10° T 16 16 16 dB	0° 5° 10° T 16 17 16 dB	0° 5° 10° T 16 16 14 dB
Cross polar ratio						
Main direction	0° 25 dB (typical)	25 dB (typical)	25 dB (typical)	18 dB (typical)	18 dB (typical)	18 dB (typical)
Sector	±60° >10 dB	>10 dB	>10 dB	>10 dB	>10 dB	>10 dB
	±60° 20 dB average	20 dB average	17 dB average	14 dB average	16 dB average	16 dB average
Tracking (average)		1.0 dB			syst 1 1.0 dB syst 2 0.5 dB	
Squint		±3.5°			±3.5°	

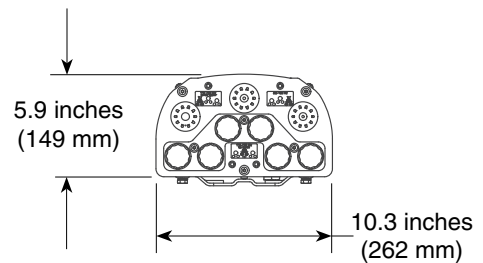


* Mechanical design is based on environmental conditions as stipulated in TIA-222-G-2 (December 2009) and/or ETS 300 019-1-4 which include the static mechanical load imposed on an antenna by wind at maximum velocity. See the Engineering Section of the catalog for further details.

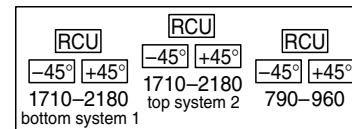


Mounting Options:

Model	Description
2 x 738 546 (included)	Mounting Kit for 2 to 4.6 inch (50 to 115 mm) OD mast. 4.4 lb (2 kg)
850 10007	Tilt Mount Kit 0–8 degrees downtilt angle.



Profile PA3



Layout of interface

Order Information:

Model	Description
800 10292V02	Tripleband directional antenna

All specifications are subject to change without notice. The latest specifications are available at www.kathrein-scala.com.

Kathrein Inc., Scala Division Post Office Box 4580 Medford, OR 97501 (USA) Phone: (541) 779-6500 Fax: (541) 779-3991
Email: communications@kathrein.com Internet: www.kathrein-scala.com