

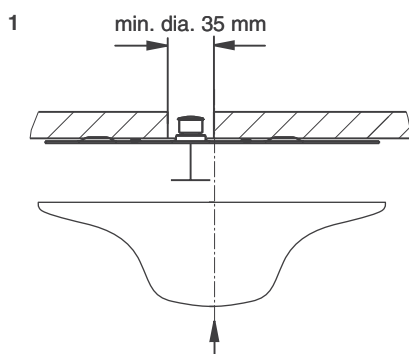
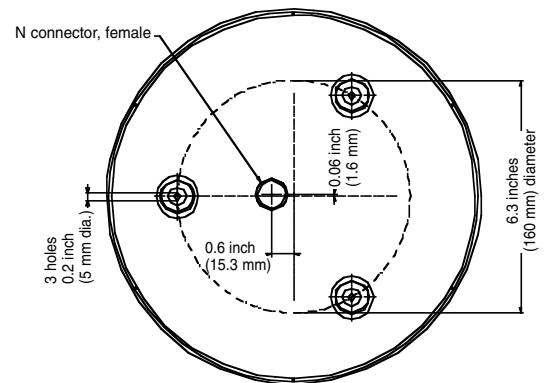
The Kathrein 800 10277 and 800 10339 are omnidirectional antennas designed for indoor installations.

The very compact and low profile design incorporates its own ground plane which also attaches it to the ceiling or other mounting surface.

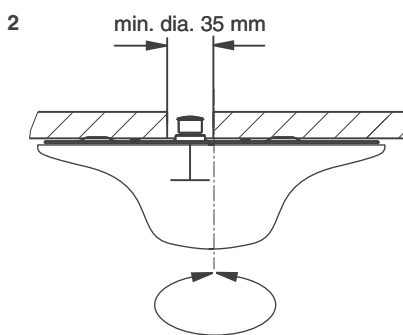


Specifications:

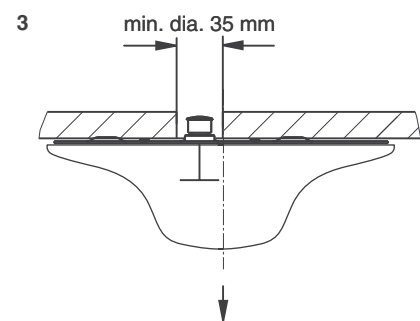
Frequency range	800 10277 800 10339	380–405 MHz 405–430 MHz
Gain		≈ 2 dBi
Impedance		50 ohms
VSWR		< 2.0:1
Polarization		Vertical
Maximum input power		50 watts (at 50°C)
H-plane beamwidth		Omni
Connector		N female
Protection class		IP 30
Weight		0.95 lb (0.429 kg)
Dimensions		10.2 x 10.2 x 3 inches (258 x 258 x 77 mm)
Shipping dimensions		10.5 x 10.5 x 4.5 inches (267 x 267 x 114 mm)
Mounting		Mounts to ceiling using three screws (two types supplied). A 1.4 in. (35 mm) hole is required for the N connector.



1 Press radome against installed reflector.



2 Rotate radome until it locks in place.



3 Pull downwards to remove radome.

Order Information:

Model	Description
800 10277	Omnidirectional indoor antenna 380–405 MHz
800 10339	Omnidirectional indoor antenna 405–430 MHz



11057-B
936.2817/a



All specifications are subject to change without notice.
The latest specifications are available at www.kathrein-scala.com.