

Kathrein's X-polarized adjustable electrical downtilt antennas offer the wireless carrier the ability to tailor polarization diversity sites for optimum performance. Using variable downtilt, only a few models need be procured to accommodate the needs of widely varying conditions. Remotely controlled downtilt is available as a retrofitable option.

- 0-12° downtilt range.
- UV resistant pulltruded fiberglass radome.
- DC Grounded metallic parts for impulse suppression.
- No moving electrical connections.
- Wideband vector dipole technology.
- Optional remote downtilt Control.

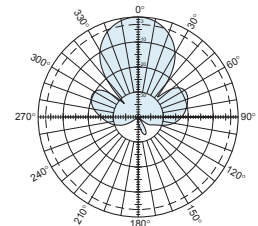
General specifications:

Frequency range	1710–2170 MHz
VSWR	<1.5:1
Impedance	50 ohms
Intermodulation (2x20w)	IM3:< -150 dBc
Polarization	+45° and -45°
Front-to-back ratio (180° ± 30°)	>30 dB (co-polar)
Connector	2 x 7-16 DIN female
Isolation	>30 dB
Maximum input power	300 watts (at 50°C) per input
Tracking, average	1 dB
Squint	±1°
Weight	26.5 lb (12 kg) 30.9 lb (14 kg) clamps included
Dimensions	40.6 x 11.8 x 2.7 inches (1032 x 299 x 69 mm)
Wind load Front/Side/Rear	at 93 mph (150kph) 95 lbf / 25 lbf / 117 lbf (420 N) / (110 N) / (520 N)
Mounting category	M (Medium)
Wind survival rating*	120 mph (200 kph)
Shipping dimensions	52.6 x 13.3 x 4.4 inches (1336 x 337 x 112 mm)
Shipping weight	33.5 lb (15.2 kg)
Mounting	Fixed mounts for 2 to 4.6 inch (50 to 115 mm). OD masts are included and tilt options are available.

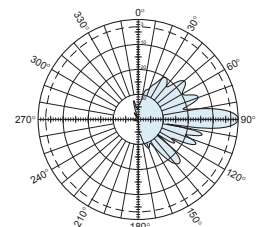
See reverse for order information.

Specifications:	1710–1880 MHz	1850–1990 MHz	1920–2170 MHz
Gain	19.2 dBi	19.5 dBi	19.8 dBi
Horizontal beamwidth	36° (half-power)	35° (half-power)	33° (half-power)
Vertical beamwidth	9.2° (half-power)	9° (half-power)	8.5° (half-power)
Electrical downtilt continuously adjustable	0°–12° (manual or optional remote control)	0°–12°	0°–12°
Sidelobe suppression for first sidelobe above horizon	0° 6° 12° T 15 17 17 dB	0° 6° 12° T 15 17 17 dB	0° 6° 12° T 15 17 17 dB
Horizontal pattern	>18 dB	>17 dB	>15 dB
Cross polar ratio			
Main direction	0°	25 dB (typical)	25 dB (typical)
Sector	±30°	>10 dB	>10 dB

*Mechanical design is based on environmental conditions as stipulated in TIA-222-G-2 (December 2009) and/or ETS 300 019-1-4 which include the static mechanical load imposed on an antenna by wind at maximum velocity. See the Engineering Section of the catalog for further details.



Horizontal pattern
±45°- polarization

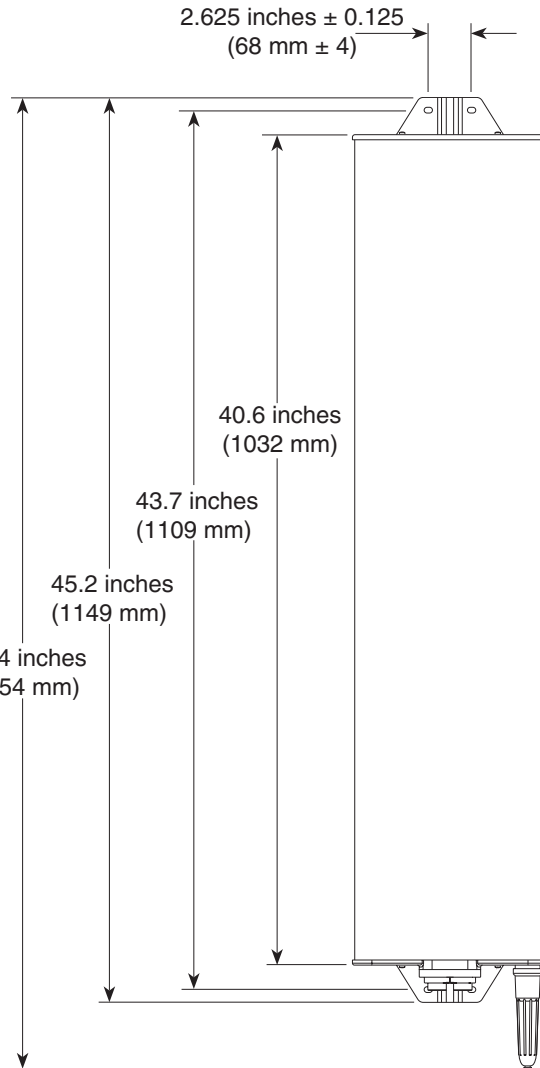
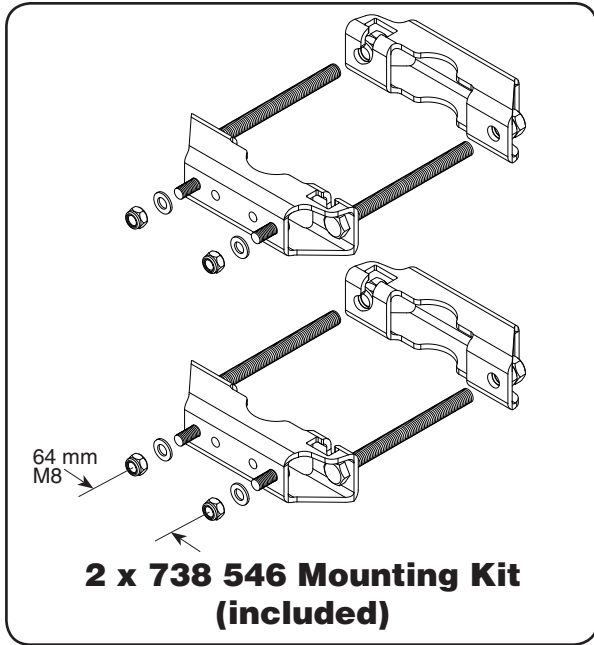


Vertical pattern
±45°- polarization
0°–12° electrical downtilt



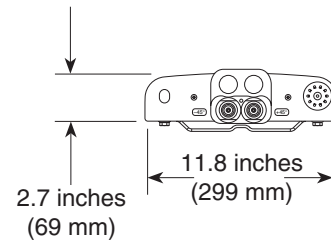
11299-A
936.3929/A

35° Wideband Directional Antenna

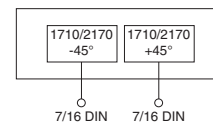


Mounting Options:

Model	Description
2 x 738 546 (included)	Mounting Kit for 2 to 4.6 inch (50 to 115 mm) OD mast. 4.4 lb (2 kg)
850 10013	Tilt Mount Kit 0–19 degrees downtilt angle. 7.4 lb (3.7 kg)



Profile PF8



Order Information:

Model	Description
800 10251V01	Antenna with 7-16 DIN connectors 0°–12° adjustable electrical downtilt

All specifications are subject to change without notice. The latest specifications are available at www.kathrein-scala.com.