

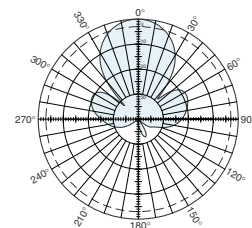
Kathrein's X-polarized adjustable electrical downtilt antennas offer the wireless carrier the ability to tailor polarization diversity sites for optimum performance. Using variable downtilt, only a few models need be procured to accommodate the needs of widely varying conditions. Remotely controlled downtilt is available as a retrofitable option.

- 0-12° downtilt range.
- UV resistant pulltruded fiberglass radome.
- DC Grounded metallic parts for impulse suppression.
- No moving electrical connections.
- Wideband vector dipole technology.
- Optional remote downtilt Control.
- Will accommodate future 3G / UMTS applications.

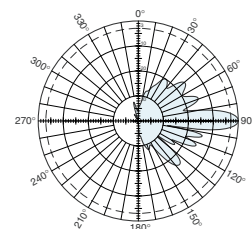
General specifications:

Frequency range	1710–2170 MHz
VSWR	<1.5:1
Impedance	50 ohms
Intermodulation (2x20w)	IM3:< -150 dBc
Polarization	+45° and -45°
Front-to-back ratio (180° ± 30°)	>30 dB (co-polar)
Connector	2 x 7-16 DIN female
Isolation	>30 dB
Maximum input power	300 watts (at 50°C) per input
Weight	25.4 lb (11.5 kg)
Dimensions	40.6 x 11.8 x 2.7 inches (1032 x 299 x 69 mm)
Equivalent flat plate area	4.42 ft ² (0.411 m ²)
Wind survival rating*	120 mph (200 kph)
Shipping dimensions	52.6 x 13.3 x 4.4 inches (1336 x 337 x 112 mm)
Shipping weight	32 lb (14.5 kg)
Mounting	Fixed and tilt mount options are available for 2 to 4.6 inch (50 to 115 mm) OD masts.

See reverse for order information.



Horizontal pattern
±45°- polarization



Vertical pattern
±45°- polarization

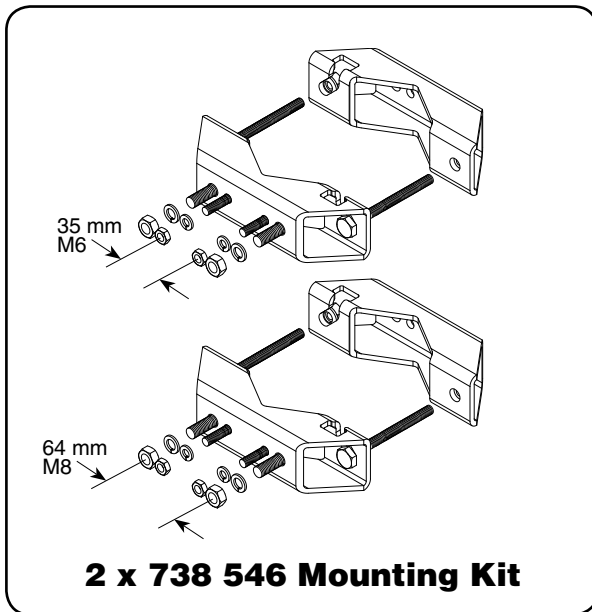
Specifications:	1710–1880 MHz	1850–1990 MHz	1920–2170 MHz
Gain	19.2 dBi	19.5 dBi	19.8 dBi
Horizontal beamwidth	36° (half-power)	35° (half-power)	33° (half-power)
Vertical beamwidth	9.2° (half-power)	9° (half-power)	8.5° (half-power)
Electrical downtilt continuously adjustable	0°–12° (manual or optional remote control)	0°–12°	0°–12°
Sidelobe suppression for first sidelobe above horizon	0° 6° 12° T 15 17 17 dB	0° 6° 12° T 15 17 17 dB	0° 6° 12° T 15 17 17 dB
Horizontal pattern	>18 dB	>17 dB	>15 dB
Cross polar ratio			
Main direction	0°	0°	0°
Sector	±30°	±30°	±30°

* Mechanical design is based on environmental conditions as stipulated in EIA-222-F (June 1996) and/or ETS 300 019-1-4 which include the static mechanical load imposed on an antenna by wind at maximum velocity. See the Engineering Section of the catalog for further details.



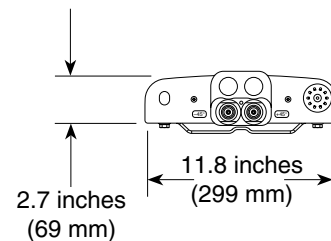
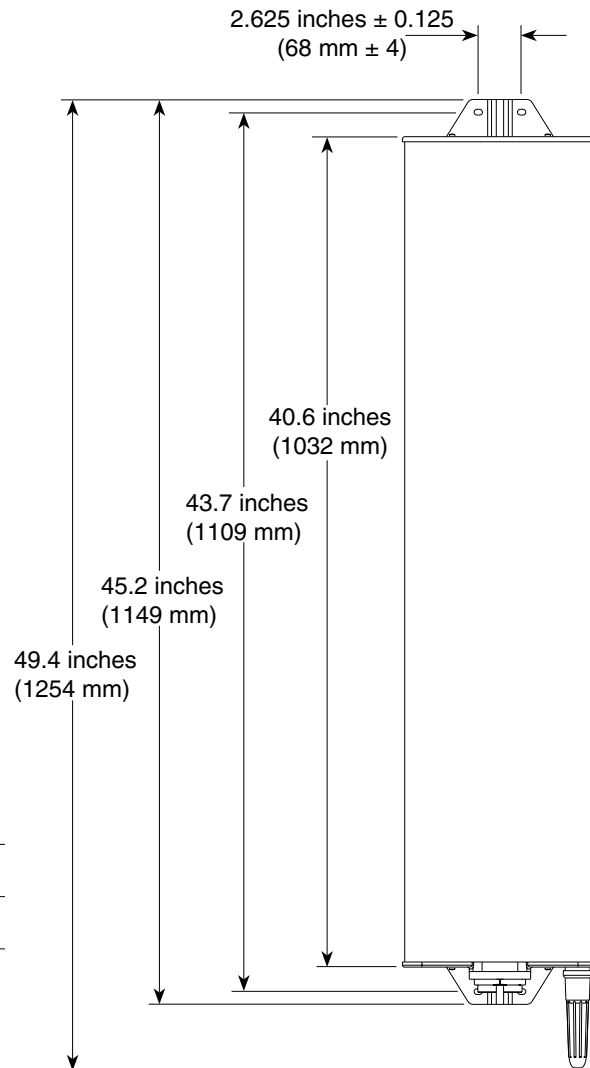
10824-A
936.2568/b

35° Wideband Directional Antenna

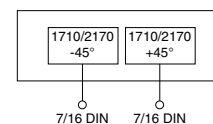


Mounting Options:

Model	Description
2 x 738 546	Mounting Kit for 2 to 4.6 inch (50 to 115 mm) OD mast.
850 10013	Tilt Mount Kit 0–20 Degrees downtilt angle.



Profile PF8



Order Information:

Model	Description
800 10251	Antenna with 7-16 DIN connectors 0°–12° adjustable electrical downtilt

All specifications are subject to change without notice. The latest specifications are available at www.kathrein-scala.com.

Kathrein Inc., Scala Division Post Office Box 4580 Medford, OR 97501 (USA) Phone: (541) 779-6500 Fax: (541) 779-3991
Email: communications@kathrein.com Internet: www.kathrein-scala.com