

Kathrein's X-polarized antennas are designed for use in digital polarization diversity systems.

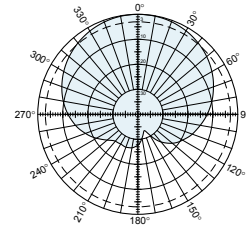
- X-polarized (+45° and -45°).
- UV resistant fiberglass radomes.
- Wideband vector dipole technology.
- DC Grounded metallic parts for impulse suppression.

General specifications:

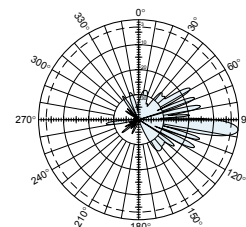
Frequency range	790–960 MHz
VSWR	<1.4:1
Impedance	50 ohms
Intermodulation (2x20w)	IM3: <-150 dBc
Polarization	+45° and -45°
Maximum input power	500 watts per input (at 50°C)
Connector	2 x 7-16 DIN female
Isolation	>30 dB
Electrical downtilt	6 degrees
Weight	26.5 lb (12 kg)
Dimensions	101.3 x 10.2 x 3.9 inches (2574 x 259 x 99 mm)
Wind load	at 93 mph (150kph)
Front/Side/Rear	212 lbf / 95 lbf / 286 lbf (940 N) / (420 N) / (1270 N)
Wind survival rating*	120 mph (200 kph)
Shipping dimensions	106.5 x 10.7 x 5.8 inches (2705 x 272 x 147 mm)
Mounting	Fixed and tilt mount options are available for 2 to 4.6 inch (50 to 115 mm) OD masts.

See reverse for order information.

* Mechanical design is based on environmental conditions as stipulated in TIA-222-G-2 (December 2009) and/or ETS 300 019-1-4 which include the static mechanical load imposed on an antenna by wind at maximum velocity. See the Engineering Section of the catalog for further details.



Horizontal pattern
±45°- polarization



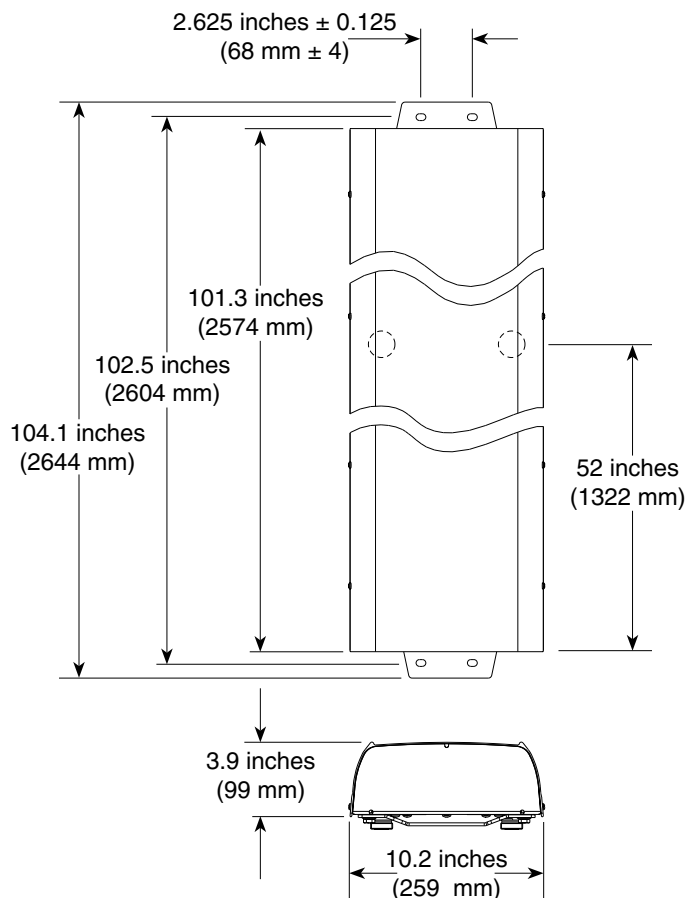
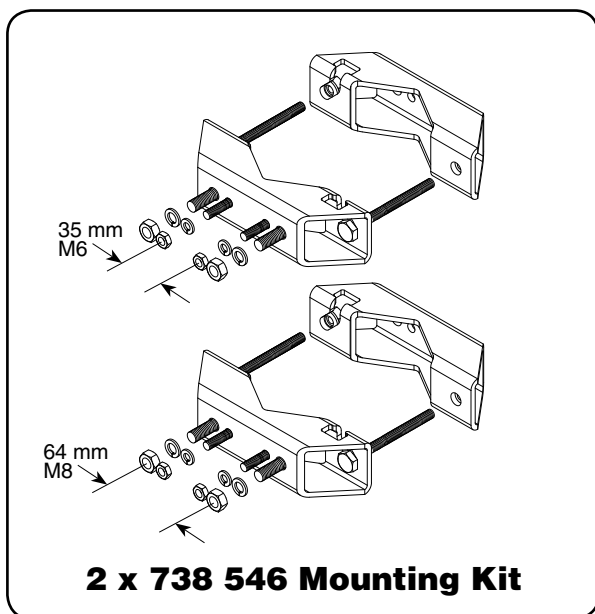
Vertical pattern
±45°- polarization



Specifications:	790–862 MHz	824–894 MHz	880–960 MHz
Gain	16.3 dBi	16.5 dBi	16.9 dBi
+45° and -45° polarization horizontal beamwidth	86° (half-power)	85° (half-power)	83° (half-power)
+45° and -45° polarization vertical beamwidth	7.6° (half-power)	7.3° (half-power)	7° (half-power)
Front-to-back ratio (180° ±0°)	>24 dB	>25 dB	>27 dB
(180° ±30°)	>22 dB	>23 dB	>25 dB
Sidelobe suppression for first sidelobe above main beam	17 dB	16 dB	16 dB
Cross polar ratio			
Main direction 0°	20 dB (typical)	20 dB (typical)	20 dB (typical)
Sector ±60°	>14 dB	>14 dB	>12 dB



11253-A
936.3590/a



Profile PC2

Mounting Options:

Model	Description
2 x 738 546	Mounting Kit for 2 to 4.6 inch (50 to 115 mm) OD mast. 4 lb (1.8 kg)
850 10013	Tilt Mount Kit 0–8 degrees downtilt angle. 7.4 lb (3.7 kg)

Order Information:

Model	Description
800 10218	Antenna with 7-16 DIN connectors

All specifications are subject to change without notice. The latest specifications are available at www.kathrein-scala.com.