

- X-polarized (+45° and -45°).
- UV resistant fiberglass radomes.
- Wideband vector dipole technology.
- DC Grounded metallic parts for impulse suppression.

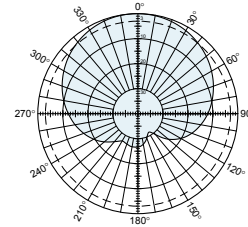
**General specifications:**

Frequency range	790–960 MHz
VSWR	<1.5:1
Impedance	50 ohms
Intermodulation (2x20w)	IM3: <-150 dBc
Polarization	+45° and -45°
Maximum input power	500 watts per input (at 50°C)
Connector	2 x 7-16 DIN female
Isolation	>30 dB
Tracking, average	1 dB
Squint	±4.5°
Weight	26.5 lb (12 kg) 30.9 lb (14 kg) clamps included
Dimensions	101.3 x 10.2 x 3.9 inches (2574 x 259 x 99 mm)
Wind load	at 93 mph (150kph)
Front/Side/Rear	212 lbf / 95 lbf / 286 lbf (940 N) / (420 N) / (1270 N)
Mounting category	H (Heavy)
Wind survival rating*	120 mph (200 kph)
Shipping dimensions	106.5 x 10.7 x 5.8 inches (2706 x 272 x 147 mm)
Mounting	Fixed mounts for 2 to 4.6 inch (50 to 115 mm) OD masts are included and tilt options are available.

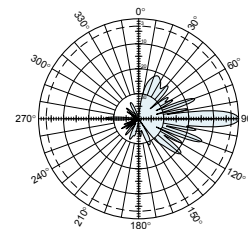
*See reverse for order information.*

\* Mechanical design is based on environmental conditions as stipulated in TIA-222-G-2 (December 2009) and/or ETS 300 019-1-4 which include the static mechanical load imposed on an antenna by wind at maximum velocity. See the Engineering Section of the catalog for further details.

Specifications:	790–862 MHz	824–894 MHz	880–960 MHz
Gain	16.6 dBi	16.7 dBi	16.8 dBi
+45° and -45° polarization horizontal beamwidth	86° (half-power)	85° (half-power)	83° (half-power)
+45° and -45° polarization vertical beamwidth	7.5° (half-power)	7.3° (half-power)	7° (half-power)
Front-to-back ratio (180° ±0°)	>25 dB	>25 dB	>25 dB
(180° ±30°)	>23 dB	>24 dB	>24 dB
Sidelobe suppression for first sidelobe above main beam	16 dB	17 dB	16 dB
Cross polar ratio			
Main direction 0°	20 dB (typical)	20 dB (typical)	20 dB (typical)
Sector ±60°	>15 dB	>15 dB	>13 dB



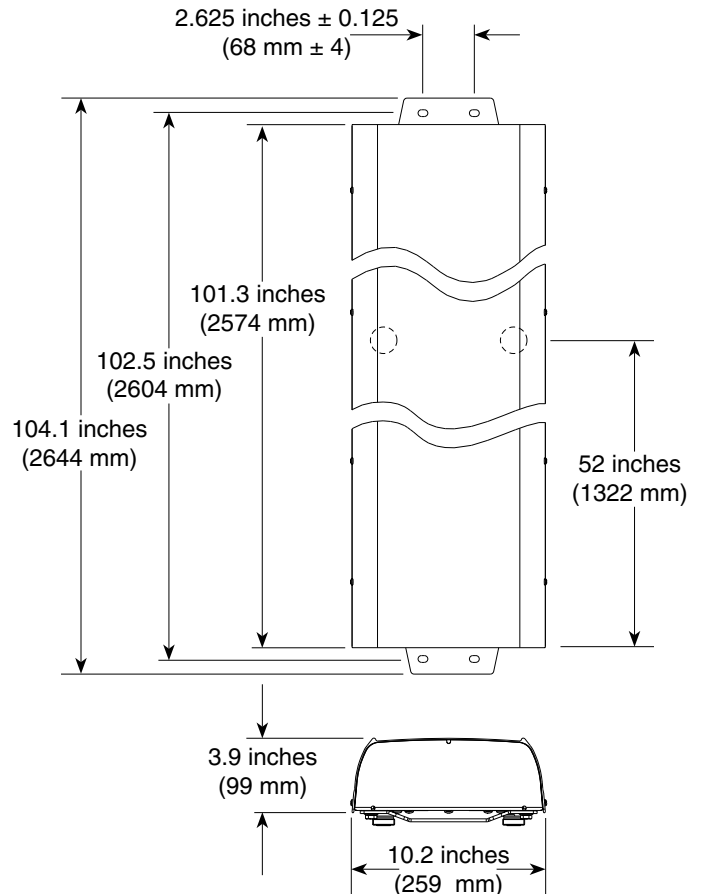
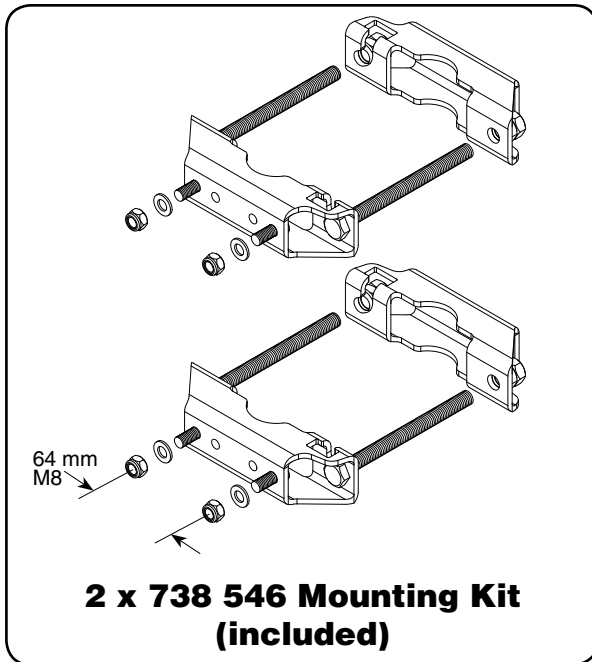
Horizontal pattern  
±45°- polarization



Vertical pattern  
±45°- polarization



11322-A  
936.3999/b



**Mounting Options:**

Model	Description
2 x 738 546 (included)	Mounting Kit for 2 to 4.6 inch (50 to 115 mm) OD mast. 4.4 lb (2 kg)
850 10007	Tilt Mount Kit 0-8 degrees downtilt angle.

Profile PC2

**Order Information:**

Model	Description
800 10217V01	Antenna with 7-16 DIN connectors

All specifications are subject to change without notice. The latest specifications are available at [www.kathrein-scala.com](http://www.kathrein-scala.com).

Kathrein Inc., Scala Division Post Office Box 4580 Medford, OR 97501 (USA) Phone: (541) 779-6500 Fax: (541) 779-3991  
Email: [communications@kathrein.com](mailto:communications@kathrein.com) Internet: [www.kathrein-scala.com](http://www.kathrein-scala.com)