

Kathrein's X-polarized antennas are designed for use in digital polarization diversity systems.

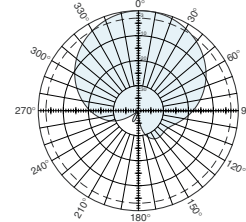
- X-polarized (+45° and -45°).
- UV resistant fiberglass radomes.
- Wideband vector dipole technology.
- DC Grounded metallic parts for impulse suppression.

General specifications:

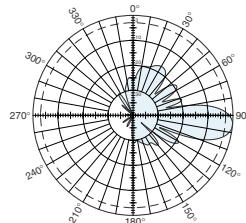
Frequency range	806–960 MHz
VSWR	1.3:1
Front-to-back ratio	>30 dB (co-polar)
Impedance	50 ohms
Intermodulation (2x20w)	IM3: <-150 dBc
Polarization	+45° and -45°
Maximum input power	500 watts per input (at 50°C)
Connector	2 x 7-16 DIN female
Electrical downtilt	6 degrees
Isolation	>30 dB
Weight	16.5 lb (7.5 kg)
Dimensions	50.9 x 10.2 x 4.4 inches (1294 x 259 x 112 mm)
Equivalent flat plate area	4.71 ft ² (0.438 m ²)
Wind survival rating*	120 mph (200 kph)
Shipping dimensions	56.6 x 11.5 x 5.4 inches (1436 x 292 x 138 mm)
Shipping weight	28.7 lb (13 kg)
Mounting	Fixed and tilt mount options are available for 2 to 4.6 inch (50 to 115 mm) OD masts.

See reverse for order information.

* Mechanical design is based on environmental conditions as stipulated in EIA-222-F (June 1996) and/or ETS 300 019-1-4 which include the static mechanical load imposed on an antenna by wind at maximum velocity. See the Engineering Section of the catalog for further details.



Horizontal pattern
±45°- polarization



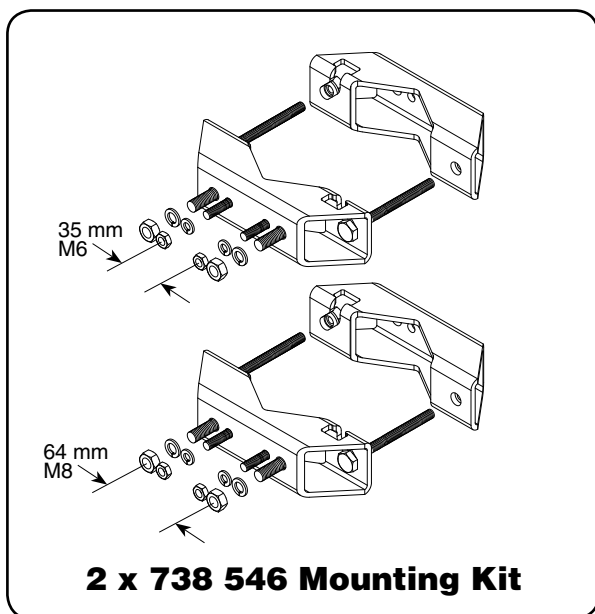
Vertical pattern
±45°- polarization



Specifications:	806–866 MHz	824–894 MHz	880–960 MHz
Gain	14.5 dBi	14.7 dBi	15 dBi
+45° and -45° polarization horizontal beamwidth	66° (half-power)	65° (half-power)	63° (half-power)
+45° and -45° polarization vertical beamwidth	16° (half-power)	15.7° (half-power)	14.6° (half-power)
Sidelobe suppression for first sidelobe above horizon	>13 dB	>14 dB	>16 dB
sector 0°–30° above horizon	>13 dB	>14 dB	>14 dB
Cross polar ratio Main direction	0°	20 dB (typical)	20 dB (typical)
Sector	±60°	>10 dB	>10 dB

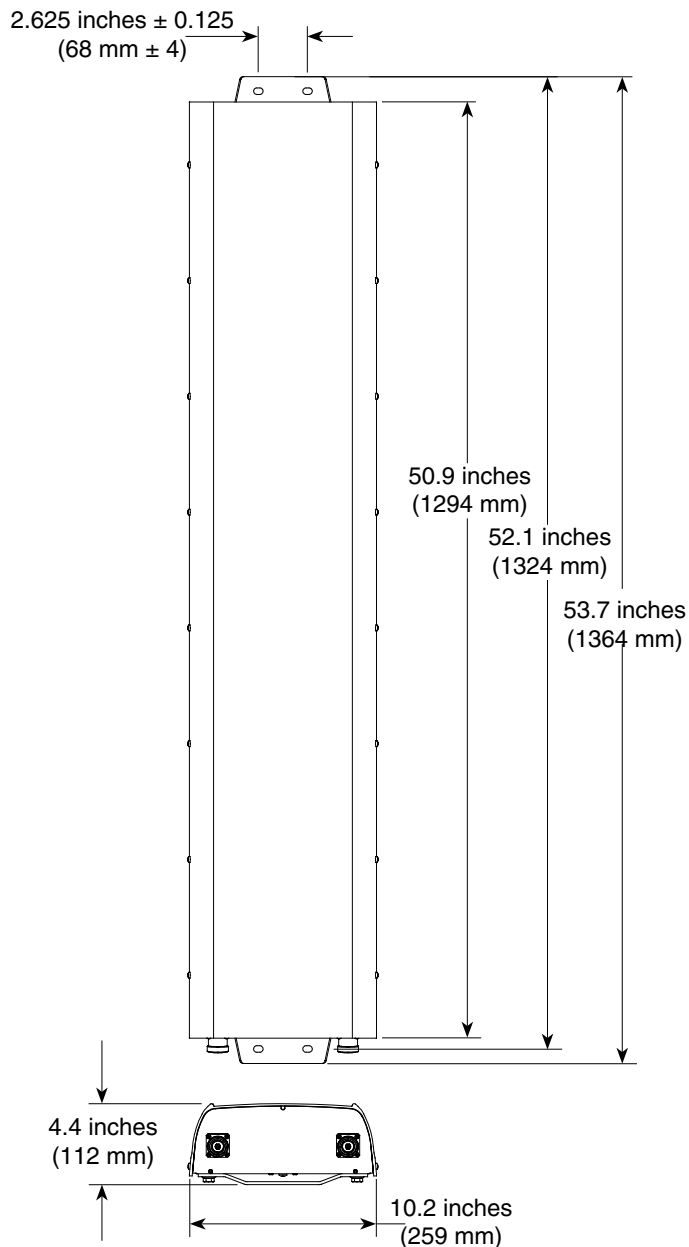


10830-C
936.2784/a

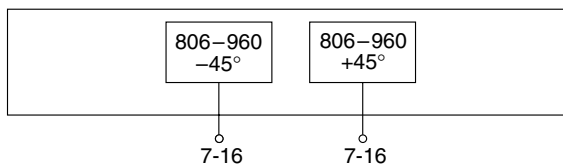


Mounting Options:

Model	Description
2 x 738 546	Mounting Kit for 2 to 4.6 inch (50 to 115 mm) OD mast.
742 033	Three-panel Sector Mounting Kit (120 deg. ea.) for 4.5 inch (114.3 mm) OD mast.
742 034	Three-panel Sector Mounting Kit (120 deg. ea.) for 5.5 inch (139.7 mm) OD mast.
850 10013	Tilt Mount Kit 0–16 degrees downtilt angle.



Profile PC2



Order Information:

Model	Description
800 10207	Antenna with 7-16 DIN connectors 6° electrical downtilt

All specifications are subject to change without notice. The latest specifications are available at www.kathrein-scala.com.