

- X-polarized (+45° and -45°).
- UV resistant fiberglass radomes.
- Wideband vector dipole technology.
- DC Grounded metallic parts for impulse suppression.

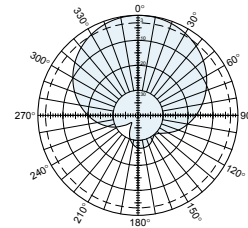
**General specifications:**

Frequency range	790–960 MHz
Front-to-back ratio	>25 dB (180°±30°)
Impedance	50 ohms
Intermodulation (2x20w)	IM3: <-150 dBc
Polarization	+45° and -45°
Maximum input power	500 watts per input (at 50°C)
Connector	2 x 7-16 DIN female
Isolation	>30 dB
Tracking	0.5 dB
Squint	±2°
Weight	24.3 lb (11 kg) 28.2 lb (12.8 kg) clamps included
Tracking	0.5 dB
Squint	±2°
Dimensions	88.7 x 10.2 x 3.9 inches (2254 x 259 x 99 mm)
Wind load	at 93 mph (150kph)
Front/Side/Rear	178 lbf / 84 lbf / 246 lbf (790 N) / (370 N) / (1090 N)
Mounting category	M (Medium)
Wind survival rating*	120 mph (200 kph)
Shipping dimensions	93.9 x 10.7 x 5.8 inches (2386 x 272 x 147 mm)
Mounting	Fixed mounts for 2 to 4.6 inch (50 to 115 mm) OD masts are included and tilt options are available.

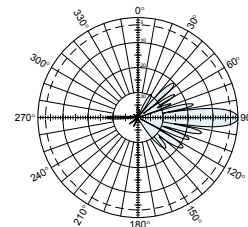
See reverse for order information.

\* Mechanical design is based on environmental conditions as stipulated in TIA-222-G-2 (December 2009) and/or ETS 300 019-1-4 which include the static mechanical load imposed on an antenna by wind at maximum velocity. See the Engineering Section of the catalog for further details.

Specifications:	790–862 MHz	824–894 MHz	880–960 MHz
Gain	17.2 dBi	17.5 dBi	17.8 dBi
VSWR	<1.5:1	<1.4:1	<1.4:1
+45° and -45° polarization horizontal beamwidth	69° (half-power)	67° (half-power)	65° (half-power)
+45° and -45° polarization vertical beamwidth	8.5° (half-power)	8.3° (half-power)	7.8° (half-power)
Sidelobe suppression for first sidelobe above horizon	>13 dB	>14 dB	>15 dB
Cross polar ratio			
Main direction 0°	>25 dB	>25 dB	>25 dB
Sector ±60°	>14 dB	>14 dB	>14 dB



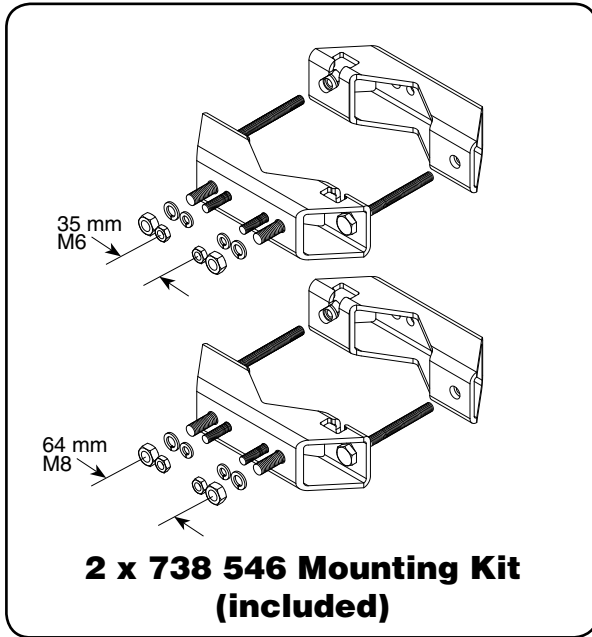
Horizontal pattern  
±45°- polarization



Vertical pattern  
±45°- polarization

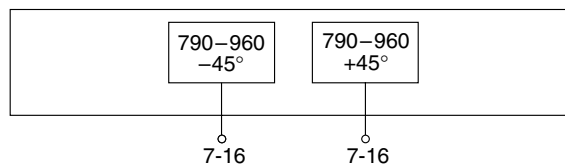
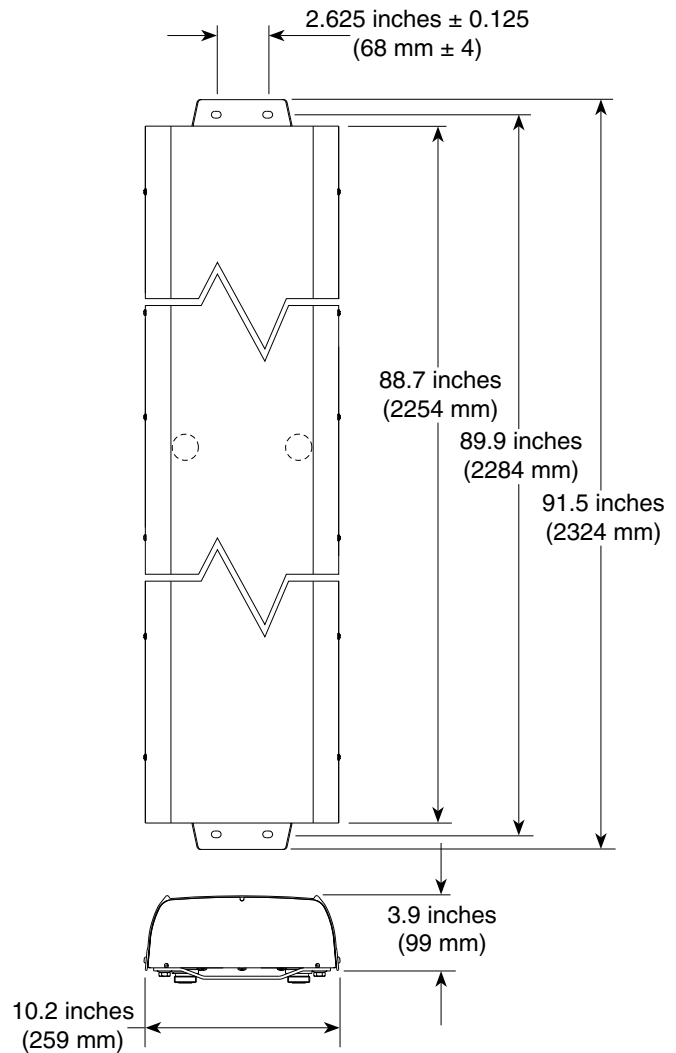


11366-A  
936.3812/b



**Mounting Options:**

Model	Description
2 x 738 546 (included)	Mounting Kit for 2 to 4.6 inch (50 to 115 mm) OD mast. 4 lb (1.8 kg)
850 10013	Tilt Mount Kit 0–9 degrees downtilt angle. 7.4 lb (3.7 kg)



**Order Information:**

Model	Description
800 10204V02	Antenna with 7-16 DIN connectors

All specifications are subject to change without notice. The latest specifications are available at [www.kathrein-scala.com](http://www.kathrein-scala.com).