

Kathrein's X-polarized antennas are designed for use in digital polarization diversity systems. Analog transmissions may be accomplished using power dividers to apply equal levels of analog transmissions to each port.

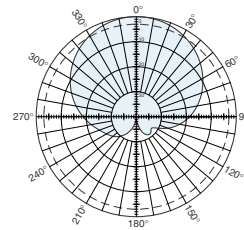
- X-polarized (+45° and -45°).
- UV resistant fiberglass radomes.
- Wideband vector dipole technology.
- DC Grounded metallic parts for impulse suppression.

General specifications:

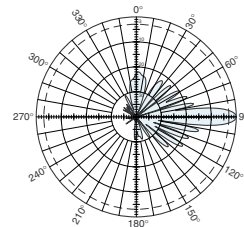
Frequency range	806–960 MHz
Front-to-back ratio	>30 dB (co-polar)
Impedance	50 ohms
Intermodulation (2x20w)	IM3: <-150 dBc
Polarization	+45° and -45°
Maximum input power	500 watts per input (at 50°C)
Connector	2 x 7-16 DIN female
Isolation	>30 dB
Weight	27.6 lb (12.5 kg)
Dimensions	88.7 x 10.2 x 3.9 inches (2254 x 259 x 99 mm)
Equivalent flat plate area	8.56 ft ² (0.795 m ²)
Wind survival rating*	120 mph (200 kph)
Shipping dimensions	93.9 x 11.5 x 7.6 inches (2386 x 292 x 192 mm)
Mounting	Fixed and tilt mount options are available for 2 to 4.6 inch (50 to 115 mm) OD masts.

See reverse for order information.

* Mechanical design is based on environmental conditions as stipulated in EIA-222-F (June 1996) and/or ETS 300 019-1-4 which include the static mechanical load imposed on an antenna by wind at maximum velocity. See the Engineering Section of the catalog for further details.



Horizontal pattern
±45°- polarization



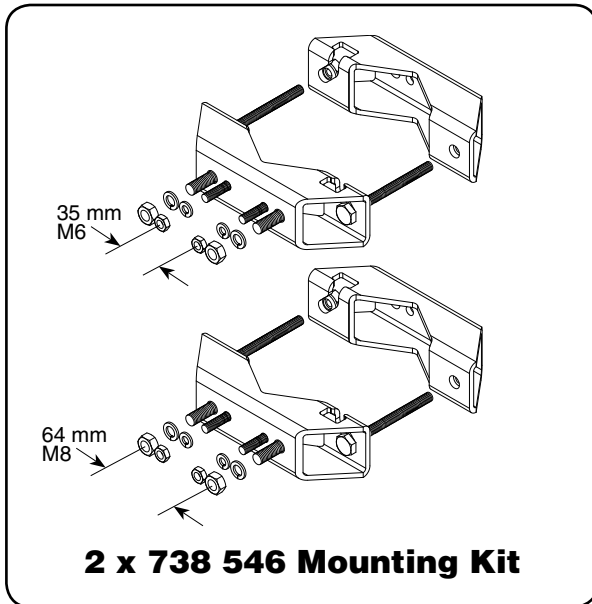
Vertical pattern
±45°- polarization



Specifications:	806–866 MHz	824–894 MHz	880–960 MHz
Gain	17.4 dBi	17.6 dBi	17.8 dBi
VSWR	<1.5:1	<1.4:1	<1.3:1
+45° and -45° polarization horizontal beamwidth	68° (half-power)	66° (half-power)	64° (half-power)
+45° and -45° polarization vertical beamwidth	8.5° (half-power)	8.3° (half-power)	7.8° (half-power)
Sidelobe suppression for first sidelobe above horizon	>15 dB	>15 dB	>15 dB
sector 0°–30° above horizon	>15 dB	>15 dB	>14 dB
Cross polar ratio			
Main direction 0°	>18 dB	>19 dB	>20 dB
Sector ±30°	>16 dB	>16 dB	>17 dB
Sector ±60°	>10 dB	>10 dB	>11 dB

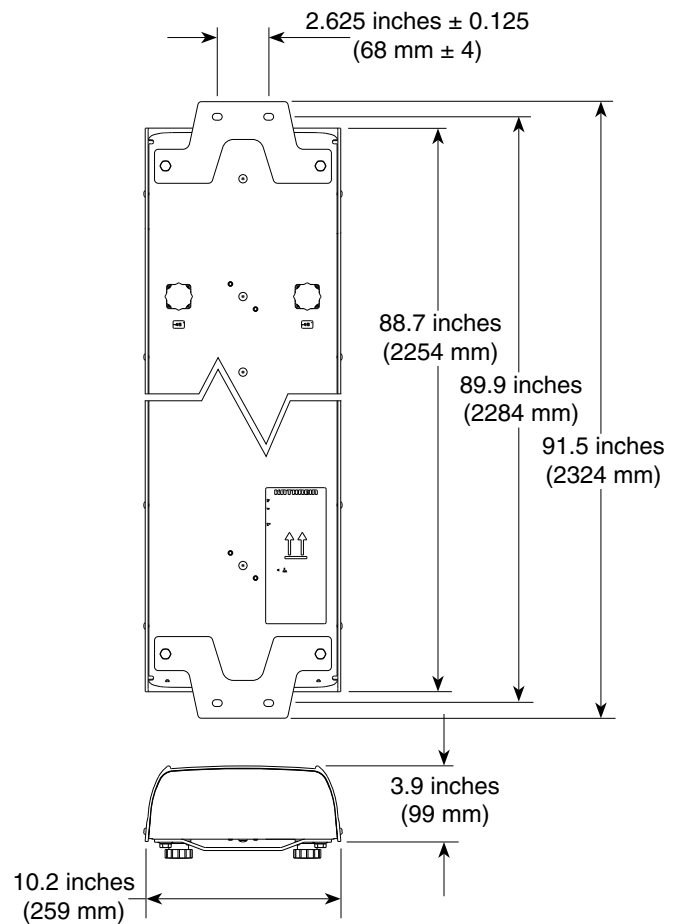


10832-D
936.2904/a



Mounting Options:

Model	Description
2 x 738 546	Mounting Kit for 2 to 4.6 inch (50 to 115 mm) OD mast.
850 10013	Tilt Mount Kit 0–9 degrees downtilt angle.



Order Information:

Model	Description
800 10204	Antenna with 7-16 DIN connectors

All specifications are subject to change without notice. The latest specifications are available at www.kathrein-scala.com.

Kathrein Inc., Scala Division Post Office Box 4580 Medford, OR 97501 (USA) Phone: (541) 779-6500 Fax: (541) 779-3991
Email: communications@kathrein.com Internet: www.kathrein-scala.com