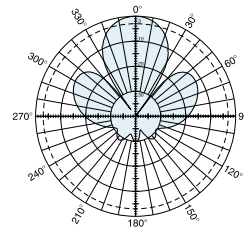


- X-polarized (+45° and -45°).
- UV resistant pulltruded radomes.
- Wideband vector dipole technology.
- DC Grounded metallic parts for impulse suppression.
- Mechanical downtilt option.

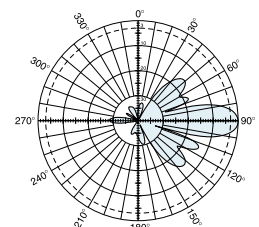
General specifications:

Frequency range	806-960 MHz
VSWR	<1.5:1
Impedance	50 ohms
Intermodulation (2x20w)	IM3: <-150 dBc
Polarization	+45° and -45°
Maximum input power	500 watts per input (at 50°C)
Connector	2 x 7-16 DIN female
Isolation	>30 dB
Weight	48.5 lb (22 kg)
Dimensions	51 x 22 x 4.6 inches (1296 x 560 x 116 mm)
Wind load Front/Side/Rear	at 93 mph (150kph) 207 lbf / 43 lbf / 232 lbf (920 N) / (190 N) / (1030 N)
Mounting category	M (Medium)
Wind survival rating*	120 mph (200 kph)
Shipping dimensions	57.1 x 23.6 x 7.2 inches (1450 x 600 x 182 mm)
Mounting	Fixed and tilt mount options are available for 2 to 4.9 inch (50 to 125mm) OD masts.

See reverse for order information.



Horizontal pattern
Vertical - polarization



Vertical pattern
Horizontal - polarization

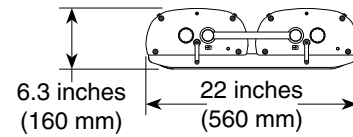
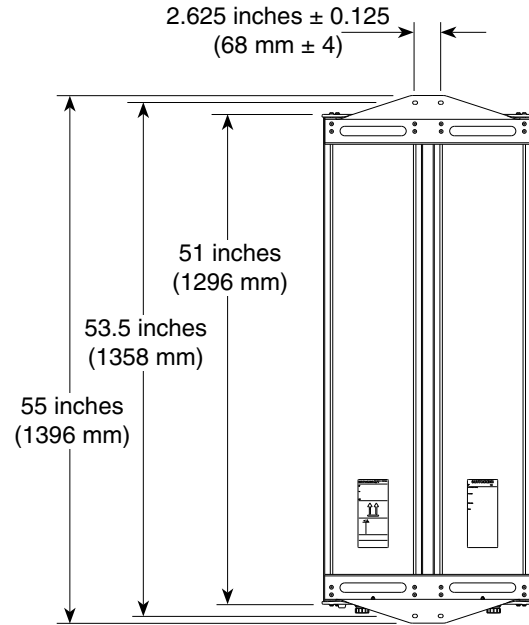
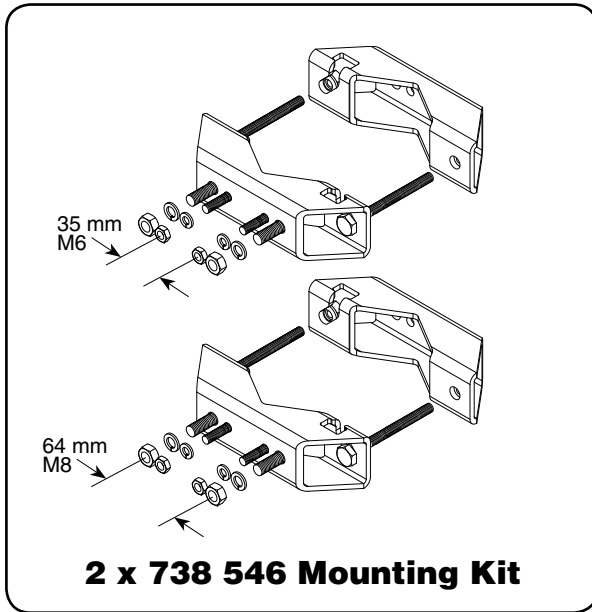
Specifications:	806–894 MHz	880–960 MHz
Gain	18 dBi	18.5 dBi
Horizontal beamwidth	31° (half-power)	29° (half-power)
Vertical beamwidth	15° (half-power)	14° (half-power)
Front-to-back ratio, copolar	>25 dB	>29 dB

* Mechanical design is based on environmental conditions as stipulated in EIA-222-G (April 2007) and/or ETS 300 019-1-4 which include the static mechanical load imposed on an antenna by wind at maximum velocity. See the Engineering Section of the catalog for further details.



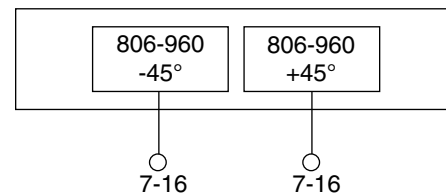
10778-E
936.4119





Mounting Options:

Model	Description
2 x 738 546	Mounting Kit for 2 to 4.6 inch (50 to 115 mm) OD mast.
850 10013	Tilt Mount Kit 0–16 degrees downtilt angle.



Order Information:

Model	Description
800 10141	Antenna with 2 x 7-16 DIN connector 0° electrical downtilt

All specifications are subject to change without notice. The latest specifications are available at www.kathrein-scala.com.

Kathrein Inc., Scala Division Post Office Box 4580 Medford, OR 97501 (USA) Phone: (541) 779-6500 Fax: (541) 779-3991
Email: communications@kathrein.com Internet: www.kathrein-scala.com