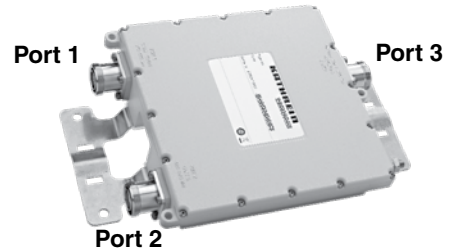


- Designed for cable sharing/reduction in PCS and WiMAX® systems.
- Can be used as a combiner near the BTS or in a reciprocal function near the antenna.
- Suitable for indoor or outdoor applications.
- Wall or mast mounting.
- Built-in lightning protection.
- External DC stop available as an accessory.
- Available as a single unit, or for XPol anten-nas as a double unit
- Very low insertion loss

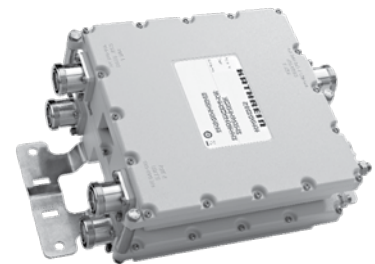
General specifications:

Pass band		
Band 1		1710–2180 MHz
Band 2		2400–2700 MHz
Impedance		50 ohms
VSWR		< 1.25:1 (1710–2180 / 2400–2700 MHz)
Insertion loss		
Port 1↔Port 3		<0.15 dB
Port 2↔Port 3		<0.15 dB
Insolation		
Port 1↔Port 2		> 60 dB
Input power, bands 1 & 2		< 300 watts
Intermodulation		< -160 dBc (3rd order; with 2 x 20 W)
Operating temperature		-40° to +60° C
Connectors		7-16 DIN female (long neck)
Application		Indoor or outdoor (IP 66)
Lightning protection		3 kA 10/350 μs pulse
Weight	single unit	6.4 lb (2.9 kg)
	double unit	12.6 lb (5.7 kg)
Dimensions	single unit	12 x 7.8 x 2.5 inches (305 x 199 x 63 mm)
	double unit	12 x 7.8 x 4.4 inches (305 x 199 x 113 mm)
Shipping dimensions		
single unit		15.4 x 10.7 x 5.5 inches (392 x 272 x 139 mm)
double unit		15.4 x 10.7 x 7.4 inches (392 x 272 x 189 mm)
Mounting		Wall mount with four screws (max. 4 mm dia). Mast mount with optional clamp set.

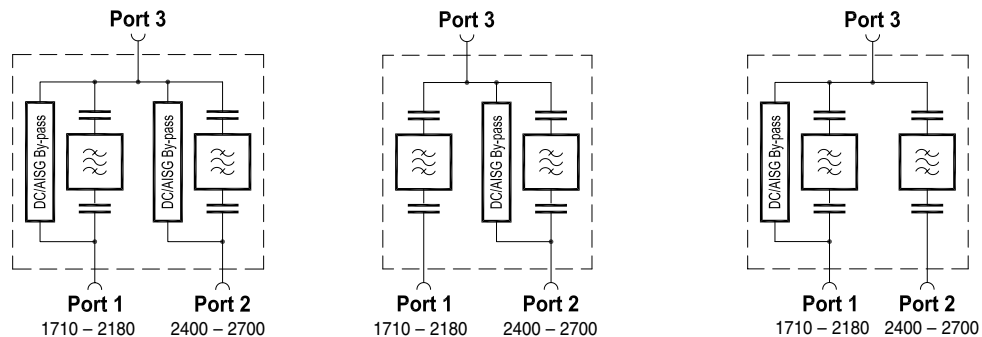
See reverse for order information.



782 10800, 782 11092, 782 11094
Single Unit



782 11091, 782 11093, 782 11095
Double Unit

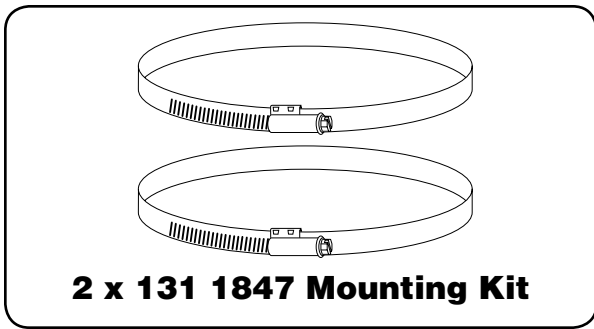


Specifications:

	782 10800 Single Unit	782 11092 Single Unit	782 11094 Single Unit
	782 11091 Double Unit	782 11093 Double Unit	782 11095 Double Unit
DC/AISG transparency			
Port 1↔Port 3	By-pass (max. 2500mA)	Stop	By-pass (max. 2500mA)
Port 2↔Port 3	By-pass (max. 2500mA)	By-pass (max. 2500mA)	Stop

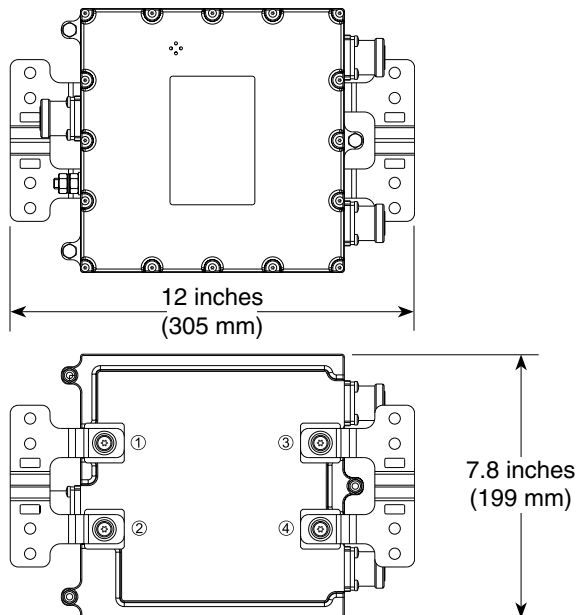
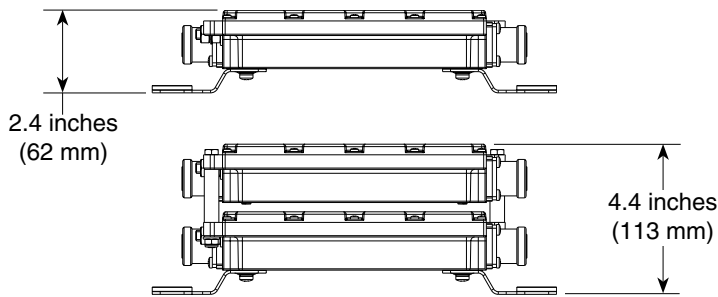


11344-B
936.3367/b

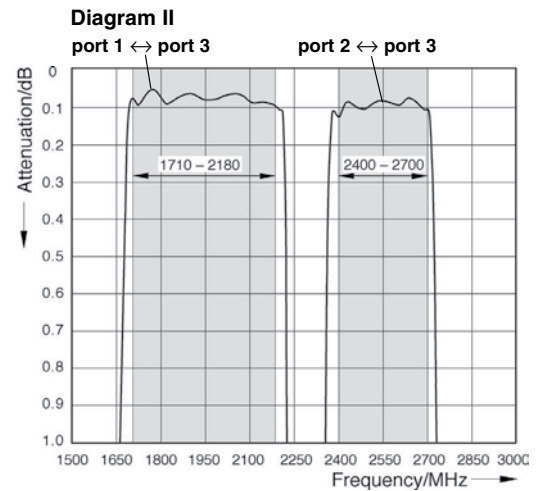
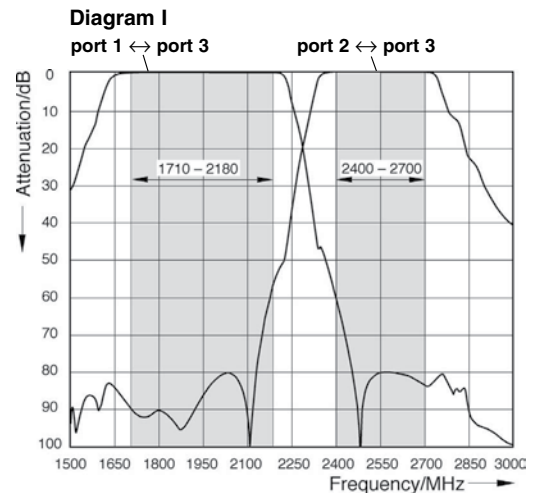


Mounting Options:

Model	Description
2 x 131 1847	Mounting Kit (optional) for 2 to 5.7 inch (50 to 145 mm) OD mast.



Typical Attenuation Curves



Order Information:

Model	Description
782 10800	Dualband combiner

Accessories:

Model	Description
793 301	DC Stop



All specifications are subject to change without notice. The latest specifications are available at www.kathrein-scala.com.