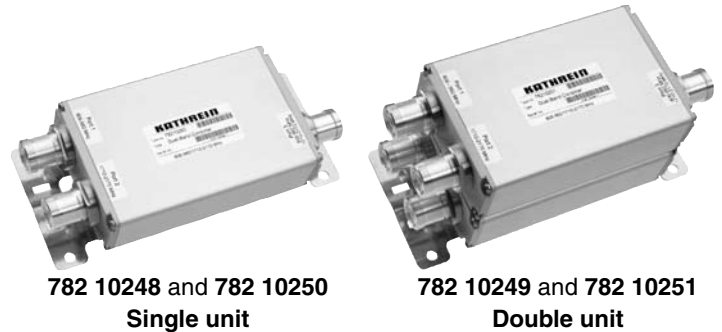


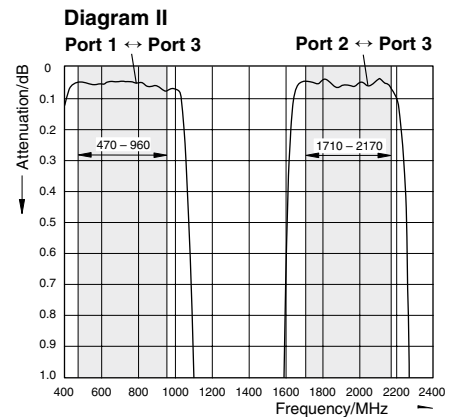
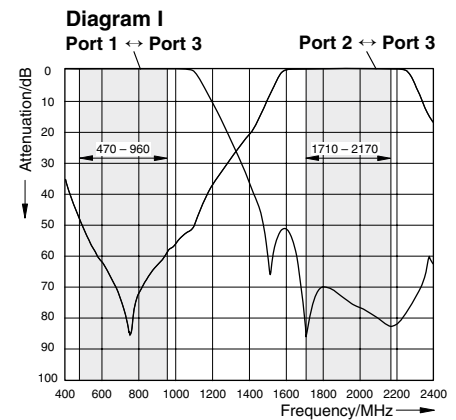
- Designed for co-siting purposes.
- Enables feeder sharing.
- Can be used as a combiner near the BTS or in a reciprocal function near the antenna.
- Suitable for indoor or outdoor applications (IP 66).
- Built-in lightning protection.
- Very low insertion loss.
- High input power.
- Extended connectors for improved weather sealing.
- External DC Stop available as an accessory.
- **782 10248** and **782 10249**
DC by-pass between all ports.
- **782 10250** and **782 10251**
DC by-pass between ports 2 and 3
Built-in DC stop between ports 1 and 3.



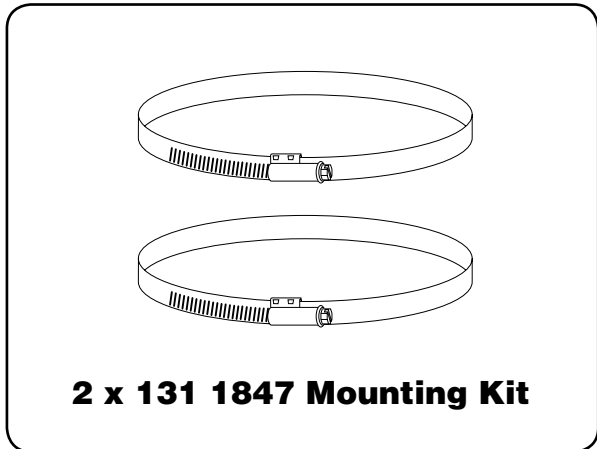
Specifications:

Frequency range		
Low band (port 1)	470–960 MHz	
High band (port 2)	1710–2170 MHz	
Impedance	50 ohms	
VSWR	< 1.2:1	
Insertion loss		
Port 1↔Port 3	<0.1 dB (470–960 MHz) (0.05 dB typical)	
Port 2↔Port 3	<0.1 dB (1710–2170 MHz) (0.05 dB typical)	
Isolation		
Port 1↔Port 2	> 45 dB (470–550 MHz)	
	> 55 dB (550–960 MHz)	
	> 65 dB (1710–2170 MHz)	
Input power		
Band 1	< 700 watts	
Band 2	< 650 watts	
Intermodulation	< -160 dBc (2 nd /3 rd order; with 2 x 20 W)	
Operating temperature	-55° to +60° C	
Connectors	7-16 DIN female (long neck)	
DC/AISG transparency	782 10248	782 10250
	782 10249	782 10251
Port 1↔Port 3	By-pass (max. 2500 mA)	Stop
Port 2↔Port 3	By-pass (max. 2500 mA)	By-pass (max. 2500 mA)
Lightning protection	Built-in (3kA, 10/350µs pulse)	
Weight	single unit	6.4 lb (2.9 kg)
	double unit	12.6 lb (5.7 kg)
Dimensions	single unit	11 x 4.9 x 2.5 inches (274 x 125 x 64 mm)
	double unit	11 x 4.9 x 4.7 inches (274 x 125 x 120 mm)
Shipping Dimensions	single unit	14.4 x 8.1 x 5.9 inches (365 x 207 x 150 mm)
	double unit	14.4 x 8.4 x 8.1 inches (365 x 214 x 207 mm)
Mounting	Mounts to a flat surface with four screws (max. 8 mm dia). Mounts to 2 to 5.7 inch (50 to 145 mm) OD masts with optional mounting kit.	

Typical Attenuation Curves

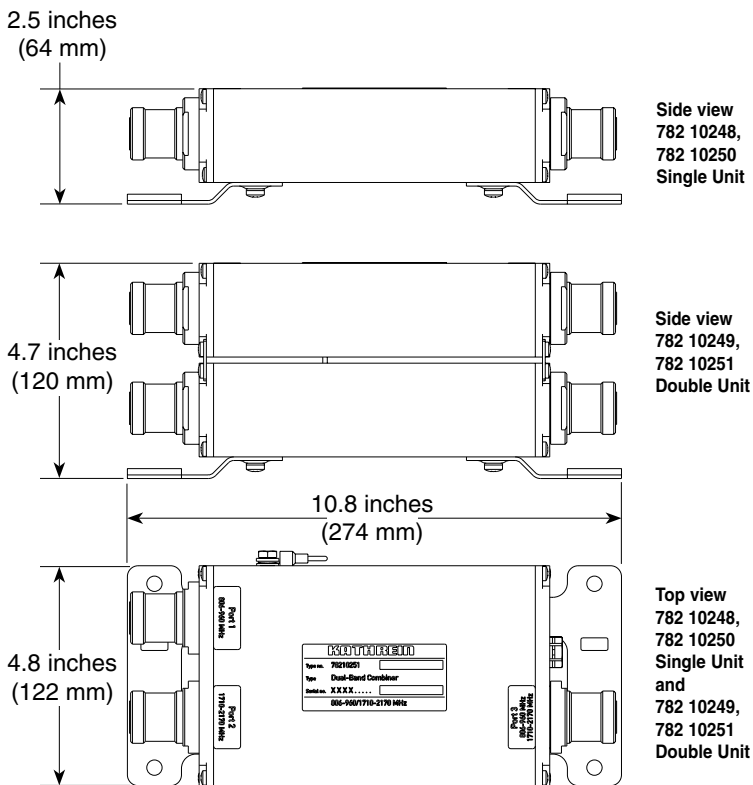


10839-H
936.2455/h



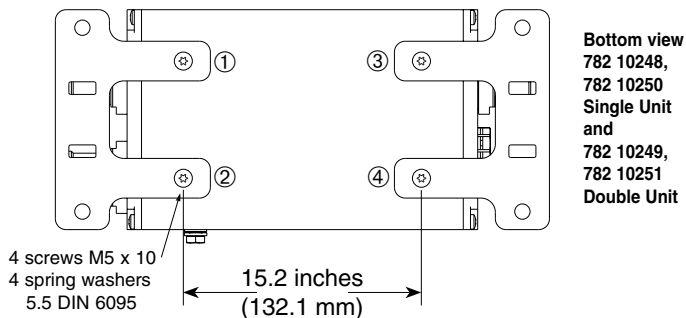
Mounting Options:

Model	Description
2 x 131 1847	Mounting Kit for 2 to 5.7 inch (50 to 145 mm) OD mast.



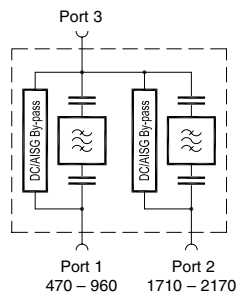
The mounting plates can be removed and replaced with other means of mounting by removing the screws ① through ④ (M5 x 10).

Caution: Exceeding the maximum drilled depth of 8.5 mm with replacement hardware and fasteners may permanently damage the unit.

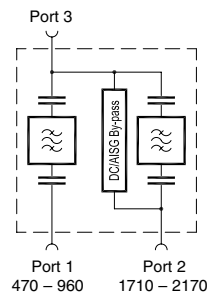


Order Information:

Model	Description
782 10248	Dualband combiner, single unit, DC by-pass all ports
782 10249	Dualband combiner, double unit, DC by-pass all ports
782 10250	Dualband combiner, single unit, built-in DC stop
782 10251	Dualband combiner, double unit, built-in DC stop



Single Unit 782 10248
Double Unit 782 10249
(only 1 unit shown)



Single Unit 782 10250
Double Unit 782 10251
(only 1 unit shown)