

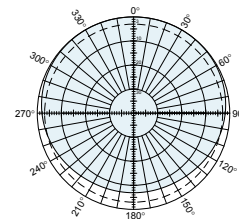
- Constructed of hot-dip galvanized steel.
- Fiberglass radome.

**Specifications:**

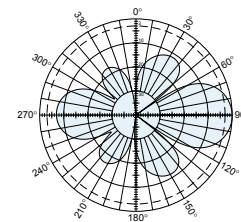
Frequency range	200–240 MHz
Gain	7.6 dBi
Impedance	50 ohms
VSWR	< 1.2:1
Polarization	Vertical
Maximum input power	2000 watts (at 40°C)
H-plane beamwidth	200 degrees (half-power)
E-plane beamwidth	32 degrees (half-power)
Connector	7-16 DIN female
Weight	33.1 lb (15 kg)
Dimensions	86.8 x 12.4 inches (2205 x 315 mm)
Wind load Front/Side	at 93 mph (150kph) 54 lbf (240 N) / 99 lbf (440 N)
Wind survival rating*	140 mph (225 kph)
Shipping dimensions	91 x 16.5 x 6.3 nches (2310 x 420 x 160 mm)
Mounting	Mounts to customer supplied hardware (see flange hole pattern on reverse)



\* Mechanical design is based on environmental conditions as stipulated in TIA-222-G-2 (December 2009) and/or ETS 300 019-1-4 which include the static mechanical load imposed on an antenna by wind at maximum velocity. See the Engineering Section of the catalog for further details.



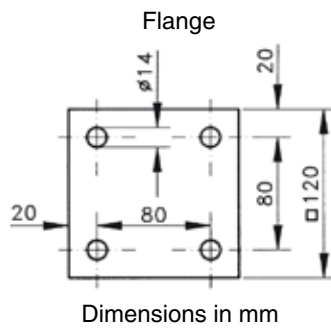
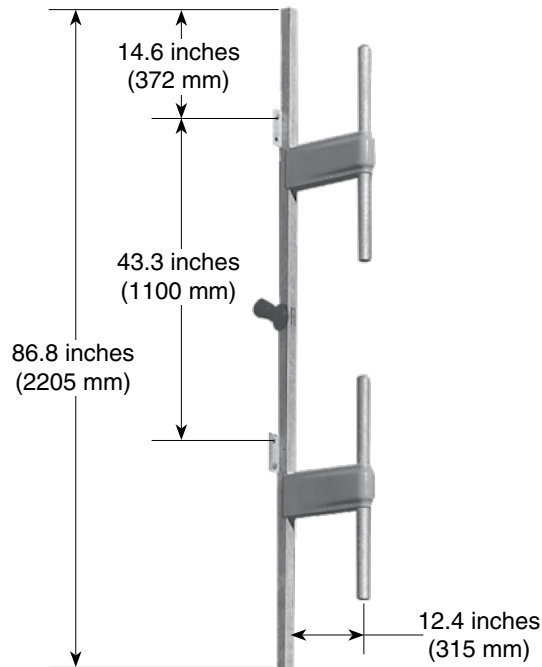
H-plane  
Horizontal pattern – V-polarization



E-plane  
Horizontal pattern – H-polarization



11392-FRO  
936.A2617



**Order Information:**

Model	Description
750 10161	Dipole antenna with 7-16 DIN connector

All specifications are subject to change without notice. The latest specifications are available at [www.kathrein-scala.com](http://www.kathrein-scala.com).

Kathrein Inc., Scala Division Post Office Box 4580 Medford, OR 97501 (USA) Phone: (541) 779-6500 Fax: (541) 779-3991  
 Email: [communications@kathrein.com](mailto:communications@kathrein.com) Internet: [www.kathrein-scala.com](http://www.kathrein-scala.com)