

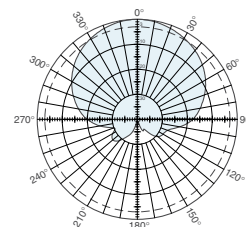
Kathrein vertically polarized panels are part of a series of antenna products for PCS, PCN, and other applications in the 1850-1990 MHz band, featuring:

- Patented manufacturing techniques with materials selected for long life and reliability in space diversity systems.
- Superior electrical performance, with low VSWR, wide bandwidth, flat frequency response, and extremely low intermodulation products.
- An extremely low profile design provides minimal visual impact.
- High strength pultruded fiberglass radomes.
- Electrically adjustable downtilt.
- Remote control ready.

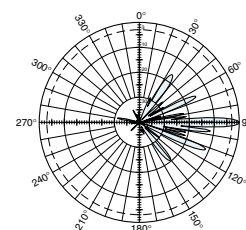
General specifications:

Frequency range	1710–2170 MHz
VSWR	<1.5:1
Impedance	50 ohms
Intermodulation (2x20w)	IM3: <-150 dBc
Polarization	Vertical
Front-to-back ratio	>25 dB
Maximum input power	300 watts per input (at 50°C)
Electrical downtilt continuously adjustable	0–10 degrees (manual or optional remote control)
Connector	7-16 DIN female
Weight	15 lb (6.8 kg)
Dimensions	51.3 x 6.1 x 2.7 inches (1302 x 155 x 69 mm)
Equivalent flat plate area	4.04 ft ² (0.375 m ²)
Wind survival rating*	120 mph (200 kph)
Shipping dimensions	62 x 6.8 x 3.6 inches (1574 x 172 x 92 mm)
Shipping weight	18.3 lb (8.3 kg)
Mounting	Fixed and tilt mount options are available for 2 to 4.6 inch (50 to 115 mm) OD masts.

See reverse for order information.



H-plane
Horizontal pattern
Vertical - polarization



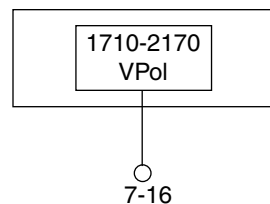
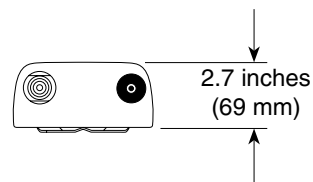
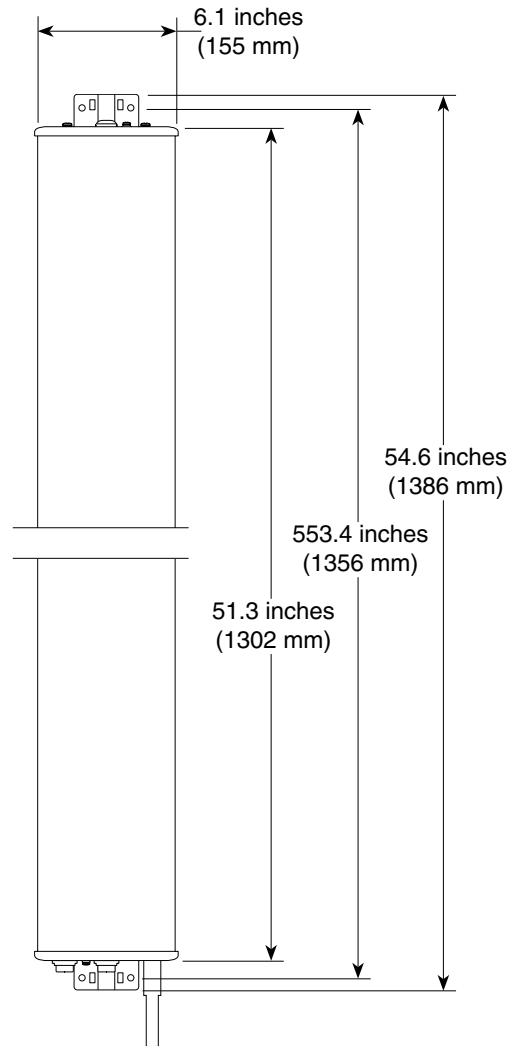
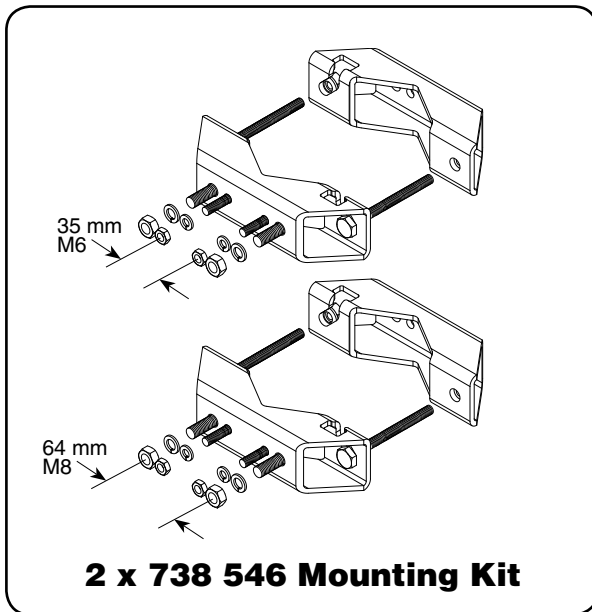
E-plane
Vertical pattern
Vertical - polarization
0°–10° electrical downtilt

* Mechanical design is based on environmental conditions as stipulated in EIA-222-F (June 1996) and/or ETS 300 019-1-4 which include the static mechanical load imposed on an antenna by wind at maximum velocity. See the Engineering Section of the catalog for further details.

Specifications:	1710–1880 MHz	1850–1990 MHz	1920–2170 MHz
Gain	17.5 dBi	17.9 dBi	18.1 dBi
H-plane beamwidth	68° (half-power)	65° (half-power)	63° (half-power)
E-plane beamwidth	7° (half-power)	6.7° (half-power)	6.5° (half-power)
Sidelobe suppression for first sidelobe above horizon	0° 5° 10° T 18 16 13 dB	0° 5° 10° T 18 17 14 dB	0° 5° 10° T 18 17 14 dB



10804-C
936.2401/d



Mounting Options:

Model	Description
2 x 738 546	Mounting Kit for 2 to 4.6 inch (50 to 115 mm) OD mast.
850 10013	Tilt Mount Kit 0–16 degrees downtilt angle.
742 263	Three-panel Sector Mounting Kit (120 deg. ea.) for 3.5 inch (89 mm) OD mast.

Order Information:

Model	Description
742 445	Antenna with 7-16 DIN connector 0–10° electrical downtilt

All specifications are subject to change without notice. The latest specifications are available at www.kathrein-scala.com.

Kathrein Inc., Scala Division Post Office Box 4580 Medford, OR 97501 (USA) Phone: (541) 779-6500 Fax: (541) 779-3991
Email: communications@kathrein.com Internet: www.kathrein-scala.com