

Kathrein panels are antenna products for wireless communications. All ADT panels feature:

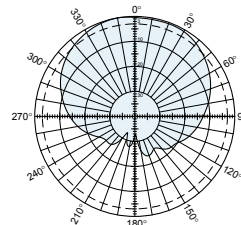
- Heavy-duty construction using the highest quality materials: UV resistant pultruded fiberglass radomes, stainless steel fasteners and hardware, rigid aluminum reflectors, and low loss coaxial cable power divider harness, all contributing to long, trouble free service life.
- Superior electrical specifications including low VSWR, wide bandwidth, flat frequency response, and superb intermodulation performance.
- Precision continuously adjustable electrical downtilt controls, manual control as standard equipment, with remote control available as an option.

**General specifications:**

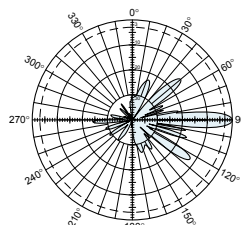
Frequency range	1710–2180 MHz
VSWR	<1.5:1
Impedance	50 ohms
Intermodulation (2x20w)	IM3:< -150dBc
Polarization	+45° and -45°
Front-to-back ratio	>24 dB (co-polar) >24 dB (total power)
Maximum input power	300 watts per input (at 50°C)
Electrical downtilt continuously adjustable	0–10 degrees
Connector	4 x 7-16 DIN female
Isolation intrasystem intersystem	>30 dB >30 dB
Tracking	0.5 dB
Squint	±2.5°
Weight	37.5 lb (17 kg) 41.9 lb (19 kg) clamps included
Dimensions	51.9 x 12.7 x 2.8 inches (1319 x 323 x 71 mm)
Wind load Front/Side/Rear	at 93 mph (150kph) 149 lbf / 35 lbf / 156 lbf (660 N) / (155 N) / (690 N)
Mounting category	M (Medium)
Wind survival rating*	120 mph (200 kph)
Shipping dimensions	62 x 14.2 x 5.1 inches (1574 x 360 x 130 mm)
Shipping weight	43 lb (19.5 kg)
Mounting	Fixed mounts for 2 to 4.6 inch (50 to 115 mm) OD masts are included and tilt options are available.

See reverse for order information.

Specifications:	1710–1880 MHz	1850–1990 MHz	1920–2180 MHz
Average gain (dBi)	0° 5° 10° T 16.1 16.3 16	0° 5° 10° T 16.2 16.4 16.1	0° 5° 10° T 16.5 16.7 16.2
+45° and -45° polarization horizontal beamwidth	88° (half-power)	90° (half-power)	88° (half-power)
+45° and -45° polarization vertical beamwidth	7.4° (half-power)	7° (half-power)	6.5° (half-power)
Electrical downtilt continuously adjustable (manual or optional remote control)	0°–10°	0°–10°	0°–10°
Vertical Pattern – Sidelobe suppression for first sidelobe above main beam	0° 4° 8° 10° T 18 17 16 15 dB	0° 4° 8° 10° T 18 17 16 15 dB	0° 4° 8° 10° T 17 17 16 15 dB
Cross polar ratio (typical)			
Main direction	0°		
Sector	±60° >8 dB	15 dB >7.5 dB	15 dB >7 dB



Horizontal pattern  
±45°- polarization

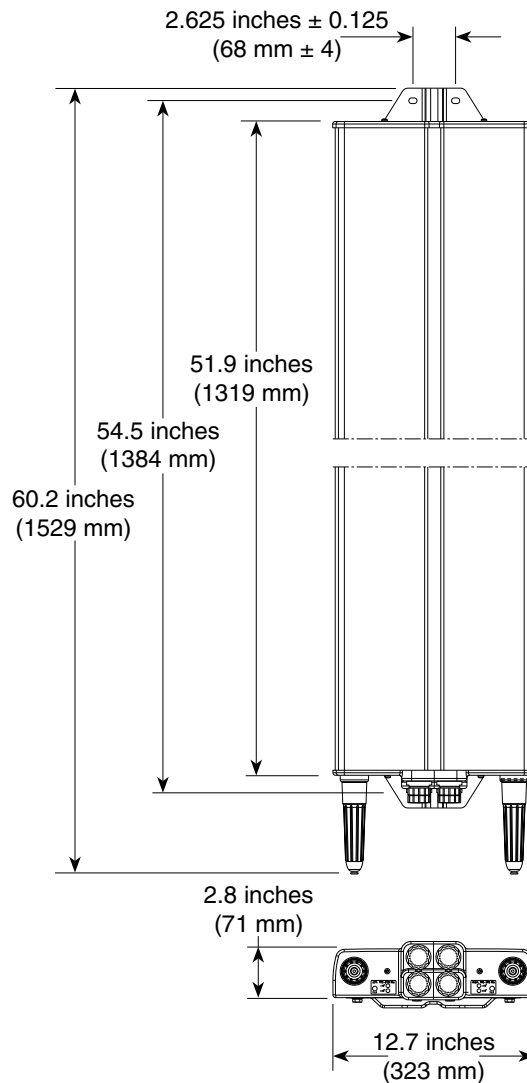
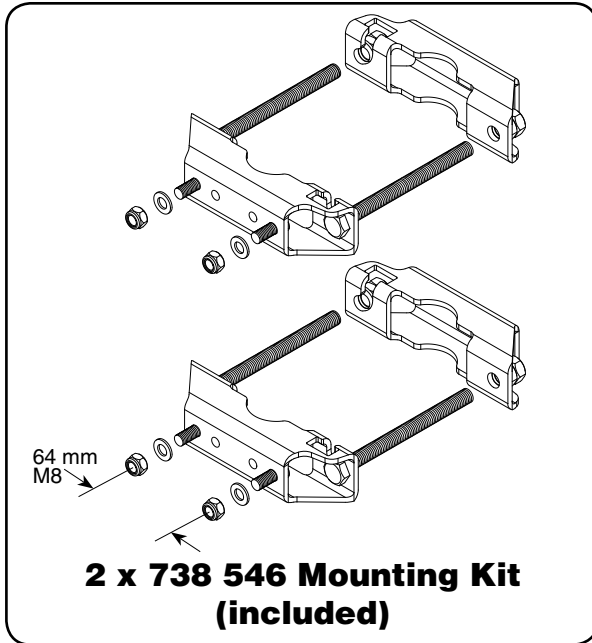


Vertical pattern  
±45°- polarization  
0°–10° electrical downtilt



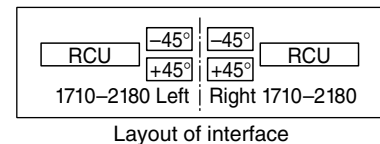
\*Mechanical design is based on environmental conditions as stipulated in TIA-222-G-2 (December 2009) and/or ETS 300 019-1-4 which include the static mechanical load imposed on an antenna by wind at maximum velocity. See the Engineering Section of the catalog for further details.

11281-B  
936.3948/a



**Mounting Options:**

Model	Description
2 x 738 546 (included)	Mounting Kit for 2 to 4.6 inch (50 to 115 mm) OD mast. 4.4 lb (2 kg)
850 10013	Locking Tilt Mount Kit 0–16 degrees downtilt angle. 7.4 lb (3.7 kg)



**Order Information:**

Model	Description
742 352V01	Antenna with 7/16 DIN connectors 0°–10° adjustable electrical downtilt

All specifications are subject to change without notice. The latest specifications are available at [www.kathrein-scala.com](http://www.kathrein-scala.com).

Kathrein Inc., Scala Division Post Office Box 4580 Medford, OR 97501 (USA) Phone: (541) 779-6500 Fax: (541) 779-3991  
Email: [communications@kathrein.com](mailto:communications@kathrein.com) Internet: [www.kathrein-scala.com](http://www.kathrein-scala.com)