

65° Dualband Directional Antenna

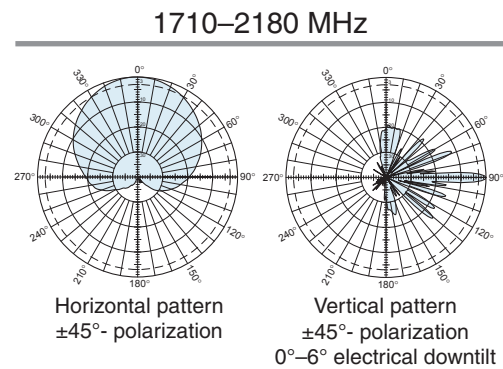
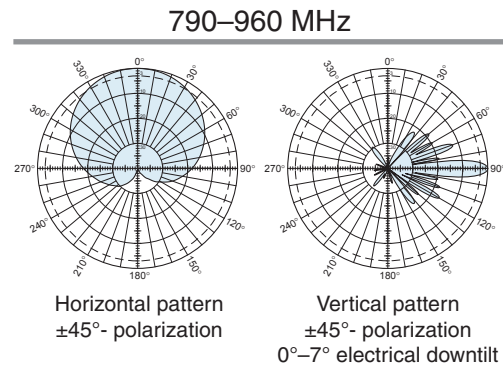
Kathrein's dual band antennas are ready for 3G applications, covering all existing wireless bands as well as all spectrum under consideration for future systems, AMPS, PCS and 3G/UMTS. These cross-polarized antennas offer diversity operation in the same space as a conventional 800 MHz antenna, and are mountable on our compact sector brackets.

- Wide band operation.
- Exceptional intermodulation characteristics.
- Remote control ready.
- AISG compatible.
- High strength pultruded fiberglass radome.

General specifications:

Frequency range	790–960 MHz 1710–2180 MHz
Impedance	50 ohms
VSWR	<1.5:1
Intermodulation (2x20w)	IM3:< -150 dBc
Polarization	+45° and -45°
Connector	4 x 7-16 DIN female (long neck)
Isolation	intrasystem >30 dB intersystem >45 dB intersystem Typ. >50 dB (790–960 // 1710–2180 MHz)
Weight	52.9 lb (24 kg) 57.3 lb (26 kg) clamps included
Dimensions	99.7 x 10.3 x 5.7 inches (2533 x 261 x 146 mm)
Wind load	at 93 mph (150kph)
Front/Side/Rear	261 lbf / 113 lbf / 273 lbf (1160 N) / (500 N) / (1210 N)
Mounting category	H (Heavy)
Wind survival rating*	120 mph (200 kph)
Shipping dimensions	112.4 x 11.1 x 7.2 inches (2856 x 282 x 182 mm)
Shipping weight	70.5 lb (32 kg)
Mounting	Fixed mounts for 2 to 4.6 inch (50 to 115 mm) OD masts are included and tilt options are available.

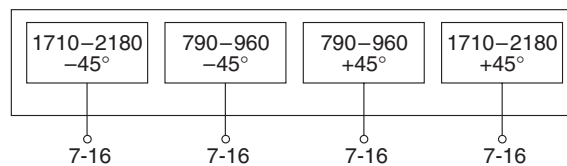
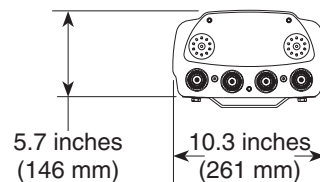
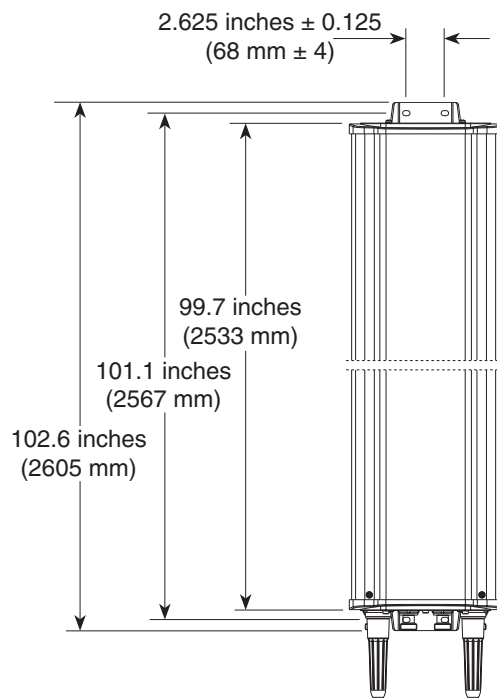
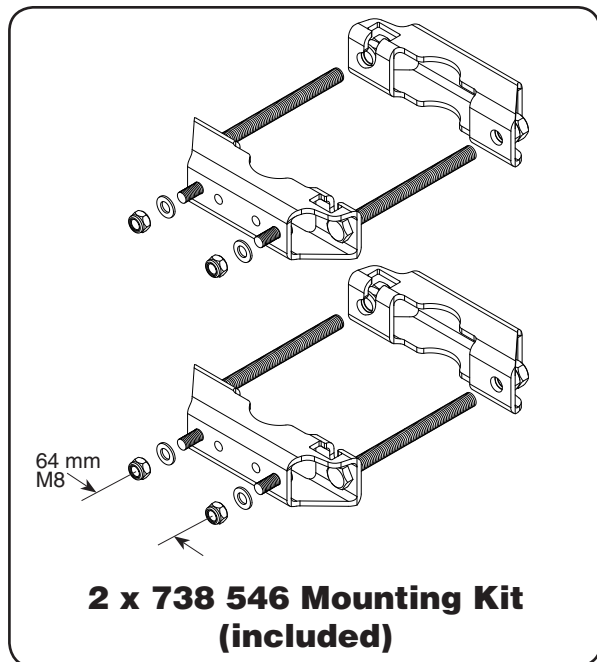
See reverse for order information.



Specifications:	790–862 MHz	824–894 MHz	880–960 MHz	1710–1880 MHz	1850–1990 MHz	1920–2180 MHz
Gain (average) (dbi)	0° 3° 7° T 16.6 16.6 16.5	0° 3° 7° T 17.0 16.9 16.7	0° 3° 7° T 17.0 17.1 16.9	0° 3° 6° T 18.2 18.5 18.3	0° 3° 6° T 18.5 18.7 18.3	0° 3° 6° T 18.5 18.7 18.3
Front-to-back ratio	>30 dB (co-polar)	>30 dB (co-polar)	>30 dB (co-polar)	>30 dB (co-polar)	>30 dB (co-polar)	>30 dB (co-polar)
Maximum input power (at 50°C)		500 watts (per input) 1000 watts (total power)			250 watts (per input) 500 watts (total power)	
+45° and -45° polarization horizontal beamwidth	68° (half-power)	67° (half-power)	65° (half-power)	65° (half-power)	65° (half-power)	61° (half-power)
vertical beamwidth	8° (half-power)	7.7° (half-power)	7.2° (half-power)	5° (half-power)	4.8° (half-power)	4.6° (half-power)
Electrical downtilt continuously adjustable	0°–7° (manual or optional remote control)	0°–7°	0°–7°	0°–6°	0°–6°	0°–6°
Sidelobe suppression for first sidelobe above main beam (average)	0° 3° 7° T ≥17 17 15 dB	0° 3° 7° T ≥17 17 15 dB	0° 3° 7° T ≥18 17 15 dB	0° 3° 6° T ≥18 17 15 dB	0° 3° 6° T ≥18 18 16 dB	0° 3° 6° T ≥18 18 16 dB
Cross polar ratio						
Main direction	0°					
Sector	±60°	30 dB (typical) >10 dB	30 dB (typical) >10 dB	30 dB (typical) >10 dB	25 dB (typical) >10 dB	25 dB (typical) >10 dB
Tracking (average)		1 dB			0.5 dB	
Squint		±2.5°			±2.5°	

* Mechanical design is based on environmental conditions as stipulated in TIA-222-G-2 (December 2009) and/or ETS 300 019-1-4 which include the static mechanical load imposed on an antenna by wind at maximum velocity. See the Engineering Section of the catalog for further details.





Mounting Options:

Model	Description
2 x 738 546 (included)	Mounting Kit for 2 to 4.6 inch (50 to 115 mm) OD mast. 4.4 lb (2 kg)
850 10007	Tilt Mount Kit 0-8 degrees downtilt angle.

Order Information:

Model	Description
742 266V02	Antenna with 7-16 DIN connectors

All specifications are subject to change without notice. The latest specifications are available at www.kathrein-scala.com.

Kathrein Inc., Scala Division Post Office Box 4580 Medford, OR 97501 (USA) Phone: (541) 779-6500 Fax: (541) 779-3991
Email: communications@kathrein.com Internet: www.kathrein-scala.com