

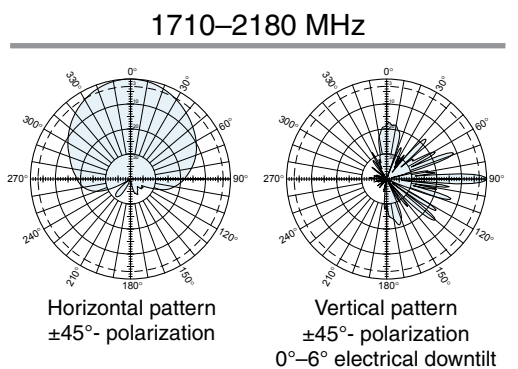
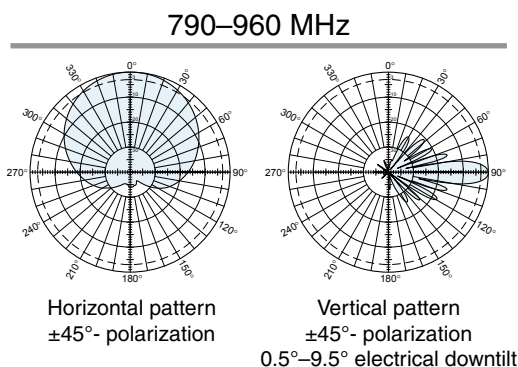
Kathrein's dual band antennas are ready for 3G applications, covering all existing wireless bands as well as all spectrum under consideration for future systems, AMPS, PCS and 3G/UMTS. These cross-polarized antennas offer diversity operation in the same space as a conventional 800 MHz antenna, and are mountable on our compact sector brackets.

- Wide band operation.
- Exceptional intermodulation characteristics.
- Remote control ready.
- AISG compatible.
- High strength pultruded fiberglass radome.

General specifications:

Frequency range	790–960 MHz 1710–2180 MHz
Impedance	50 ohms
VSWR	<1.5:1
Intermodulation (2x20w)	IM3:< -150 dBc
Polarization	+45° and -45°
Connector	4 x 7-16 DIN female (long neck)
Isolation	intrasystem >30 dB intersystem >45 dB (typical) intersystem >50 dB (790–960 // 1710–2180 MHz)
Weight	44.1 lb (20 kg) 48.5 lb (22 kg) clamps included
Dimensions	76.1 x 10.3 x 5.7 inches (1933 x 261 x 146 mm)
Wind load	at 93 mph (150kph) Front/Side/Rear 192 lbf / 86 lbf / 205 lbf (850 N) / (380 N) / (910 N)
Mounting category	M (Medium)
Wind survival rating*	120 mph (200 kph)
Shipping dimensions	88.8 x 11.1 x 7.2 inches (2256 x 282 x 182 mm)
Shipping weight	59.5 lb (27 kg)
Mounting	Fixed mounts for 2 to 4.6 inch (50 to 115 mm) OD masts are included and tilt options are available.

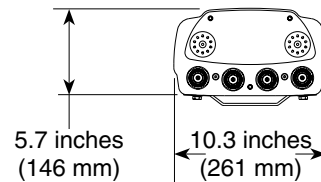
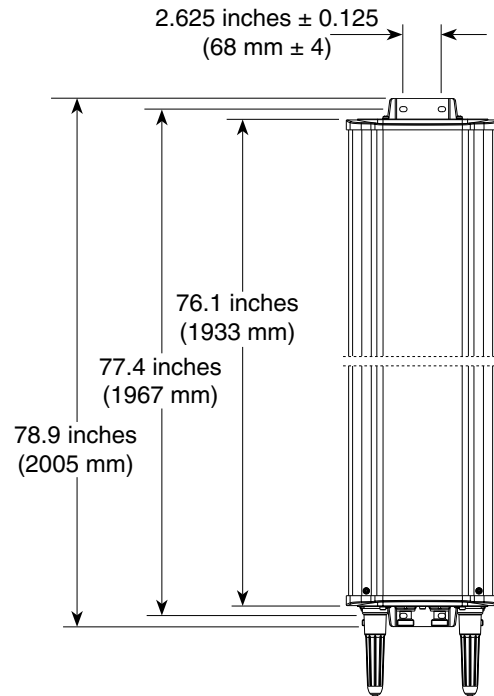
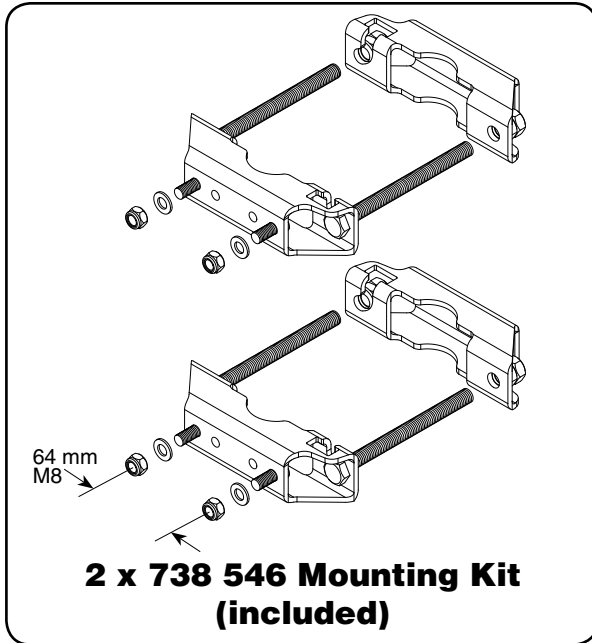
See reverse for order information.



Specifications:	790–862 MHz	824–894 MHz	880–960 MHz	1710–1880 MHz	1850–1990 MHz	1920–2180 MHz
Gain (average) (dbi)	0.5° 5° 9.5° T 15.6 15.5 15.3	0.5° 5° 9.5° T 15.9 15.8 15.5	0.5° 5° 9.5° T 16.1 16.0 15.6	0° 3° 6° T 18.2 18.5 18.3	0° 3° 6° T 18.5 18.7 18.3	0° 3° 6° T 18.5 18.7 18.3
Front-to-back ratio	>27 dB (co-polar)	>28 dB (co-polar)	>28 dB (co-polar)	>30 dB (co-polar)	>30 dB (co-polar)	>30 dB (co-polar)
Maximum input power (at 50°C)	500 watts (per input) 1000 watts (total power)			250 watts (per input) 500 watts (total power)		
+45° and -45° polarization						
horizontal beamwidth	68° (half-power)	67° (half-power)	65° (half-power)	65° (half-power)	65° (half-power)	61° (half-power)
vertical beamwidth	10.9° (half-power)	10.6° (half-power)	10° (half-power)	5° (half-power)	4.8° (half-power)	4.6° (half-power)
Electrical downtilt continuously adjustable	0.5°–9.5° (manual or optional remote control)	0.5°–9.5°	0.5°–9.5°	0°–6°	0°–6°	0°–6°
Sidelobe suppression for first sidelobe above main beam (average)	0.5° 5° 9.5° T ≥15 16 17 dB	0.5° 5° 9.5° T ≥15 17 19 dB	0.5° 5° 9.5° T ≥15 18 19 dB	0° 3° 6° T ≥18 17 15 dB	0° 3° 6° T ≥18 18 16 dB	0° 3° 6° T ≥18 18 16 dB
Cross polar ratio						
Main direction	0°	0°	0°	0°	0°	0°
Sector	±60°	±60°	±60°	±60°	±60°	±60°
Tracking (average)	1.5 dB			0.5 dB		
Squint	±2.5°			±2.5°		

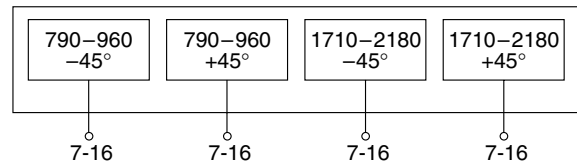
* Mechanical design is based on environmental conditions as stipulated in TIA-222-G-2 (December 2009) and/or ETS 300 019-1-4 which include the static mechanical load imposed on an antenna by wind at maximum velocity. See the Engineering Section of the catalog for further details.





Mounting Options:

Model	Description
2 x 738 546 (included)	Mounting Kit for 2 to 4.6 inch (50 to 115 mm) OD mast. 4.4 lb (2 kg)
850 10013	Tilt Mount Kit 0–11 degrees downtilt angle. 7.4 lb (3.7 kg)



Order Information:

Model	Description
742 265V02	Antenna with 7-16 DIN connectors

All specifications are subject to change without notice. The latest specifications are available at www.kathrein-scala.com.