

65° Dualband Directional Antenna

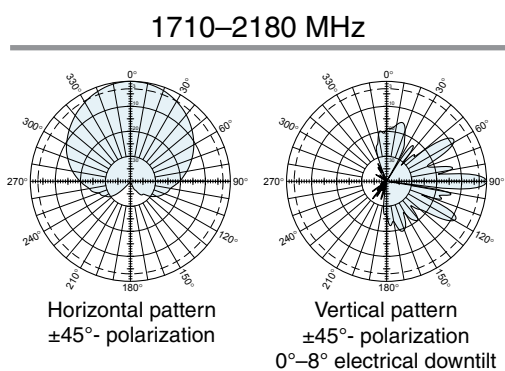
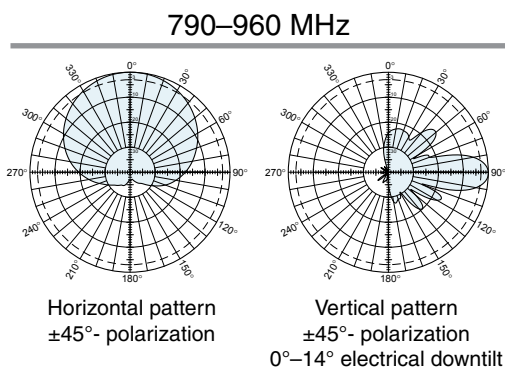
Kathrein's dual band antennas are ready for 3G applications, covering all existing wireless bands as well as all spectrum under consideration for future systems, AMPS, PCS and 3G/UMTS. These cross-polarized antennas offer diversity operation in the same space as a conventional 800 MHz antenna, and are mountable on our compact sector brackets.

- Wide band operation.
- Exceptional intermodulation characteristics.
- Remote control ready.
- AISG compatible.
- High strength pultruded fiberglass radome.

General specifications:

| | |
|-------------------------|---|
| Frequency range | 790–960 MHz 1710–2180 MHz |
| Impedance | 50 ohms |
| VSWR | <1.5:1 |
| Intermodulation (2x20w) | IM3:< -150 dBc |
| Polarization | +45° and -45° |
| Connector | 4 x 7-16 DIN female (long neck) |
| Isolation | intrasytem >30 dB intersystem >45 dB intersystem Typ. >50 dB (790–960 // 1710–2180 MHz) |
| Weight | 34.2 lb (15.5 kg) 38.6 lb (17.5 kg) clamps included |
| Dimensions | 52.5 x 10.3 x 5.7 inches (1334 x 261 x 146 mm) |
| Wind load | at 93 mph (150kph) |
| Front/Side/Rear | 126 lbf / 59 lbf / 135 lbf (560 N) / (260 N) / (600 N) |
| Mounting category | M (Medium) |
| Wind survival rating* | 120 mph (200 kph) |
| Shipping dimensions | 64.8 x 11.1 x 7.2 inches (1646 x 282 x 182 mm) |
| Shipping weight | 47.2 lb (21.4 kg) |
| Mounting | Fixed mounts for 2 to 4.6 inch (50 to 115 mm) OD masts are included and tilt options are available. |

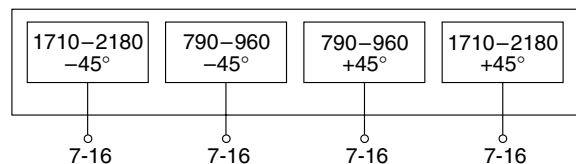
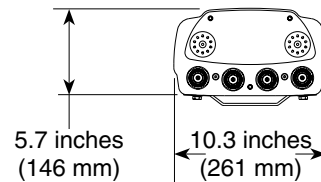
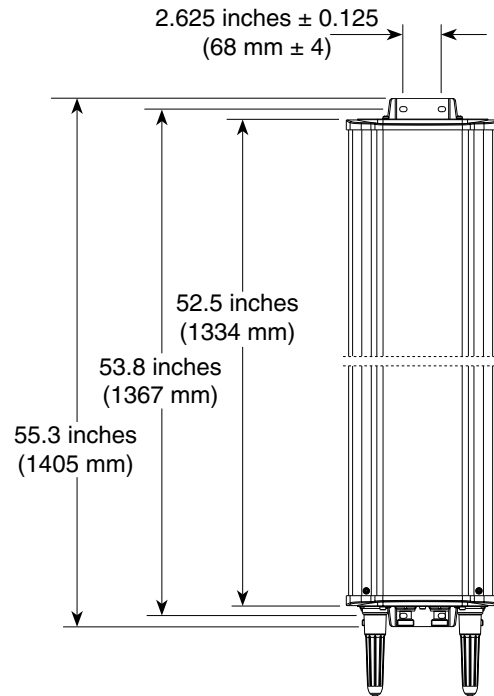
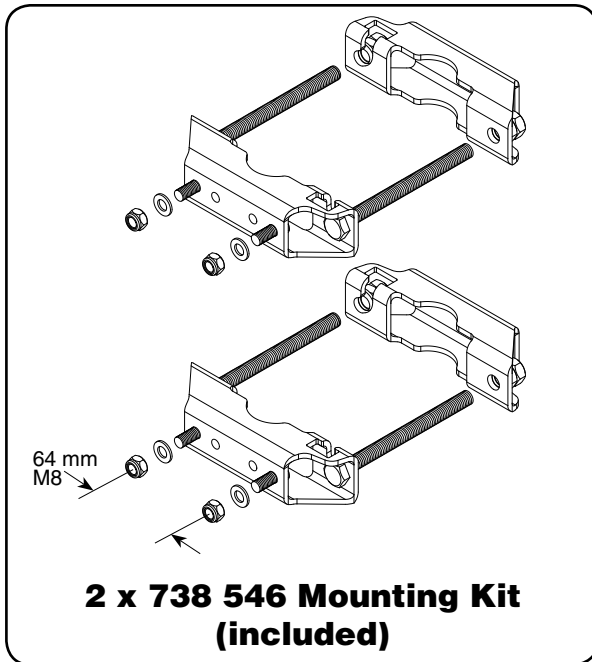
See reverse for order information.



| Specifications: | 790–862 MHz | | | 824–894 MHz | | | 880–960 MHz | | | 1710–1880 MHz | | | 1850–1990 MHz | | | 1920–2180 MHz | | |
|---|---|------|-------|-------------------|------|-------|--|------|-------|-------------------|------|-------|-------------------|------|-------|-------------------|------|-------|
| Gain (average) (dbi) | 0° | 7° | 14° T | 0° | 7° | 14° T | 0° | 7° | 14° T | 0° | 4° | 8° T | 0° | 4° | 8° T | 0° | 4° | 8° T |
| | 14.1 | 14.1 | 13.7 | 14.3 | 14.2 | 13.8 | 14.5 | 14.4 | 13.9 | 17.1 | 17.3 | 17.1 | 17.2 | 17.4 | 17.1 | 17.3 | 17.5 | 17.2 |
| Front-to-back ratio | >30 dB (co-polar) | | | >30 dB (co-polar) | | | >30 dB (co-polar) | | | >32 dB (co-polar) | | | >32 dB (co-polar) | | | >32 dB (co-polar) | | |
| Maximum input power (at 50°C) | 500 watts (per input) 1000 watts (total power) | | | | | | 250 watts (per input) 500 watts (total power) | | | | | | | | | | | |
| +45° and -45° polarization horizontal beamwidth | 68° (half-power) | | | 67° (half-power) | | | 65° (half-power) | | | 65° (half-power) | | | 62° (half-power) | | | 61° (half-power) | | |
| vertical beamwidth | 16.5° (half-power) | | | 16° (half-power) | | | 15.3° (half-power) | | | 7.4° (half-power) | | | 7.1° (half-power) | | | 6.7° (half-power) | | |
| Electrical downtilt continuously adjustable | 0°–14° (manual or optional remote control) | | | 0°–14° | | | 0°–14° | | | 0°–8° | | | 0°–8° | | | 0°–8° | | |
| Sidelobe suppression for first sidelobe above main beam (average) | 0° | 7° | 14° T | 0° | 7° | 14° T | 0° | 7° | 14° T | 0° | 4° | 8° T | 0° | 4° | 8° T | 0° | 4° | 8° T |
| | 17 | 16 | 15 dB | 19 | 18 | 18 dB | 17 | 18 | 17 dB | 17 | 17 | 16 dB | 15 | 15 | 15 dB | 16 | 16 | 15 dB |
| Cross polar ratio Main direction | 25 dB (typical) | | | 25 dB (typical) | | | 25 dB (typical) | | | 25 dB (typical) | | | 25 dB (typical) | | | 25 dB (typical) | | |
| Sector ±60° | >10 dB | | | >10 dB | | | >10 dB | | | >10 dB | | | >10 dB | | | >10 dB | | |
| Tracking (average) | 1 dB | | | | | | 0.5 dB | | | | | | | | | | | |
| Squint | ±2° | | | | | | ±3° | | | | | | | | | | | |

* Mechanical design is based on environmental conditions as stipulated in TIA-222-G-2 (December 2009) and/or ETS 300 019-1-4 which include the static mechanical load imposed on an antenna by wind at maximum velocity. See the Engineering Section of the catalog for further details.





Mounting Options:

| Model | Description |
|------------------------|--|
| 2 x 738 546 (included) | Mounting Kit for 2 to 4.6 inch (50 to 115 mm) OD mast. 4.4 lb (2 kg) |
| 850 10013 | Tilt Mount Kit 0–16 degrees downtilt angle. |

Order Information:

| Model | Description |
|------------|----------------------------------|
| 742 264V02 | Antenna with 7-16 DIN connectors |

All specifications are subject to change without notice. The latest specifications are available at www.kathrein-scala.com.

Kathrein Inc., Scala Division Post Office Box 4580 Medford, OR 97501 (USA) Phone: (541) 779-6500 Fax: (541) 779-3991
 Email: communications@kathrein.com Internet: www.kathrein-scala.com