

Kathrein panels are antenna products for wireless communications.

All ADT panels feature:

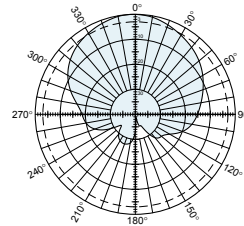
- Heavy-duty construction using the highest quality materials: UV resistant pulltruded fiberglass radomes, stainless steel fasteners and hardware, rigid aluminum reflectors, and low loss coaxial cable power divider harness, all contributing to long, trouble free service life.
- Superior electrical specifications including low VSWR, wide bandwidth, flat frequency response, and superb intermodulation performance.
- Precision continuously adjustable electrical downtilt controls, manual control as standard equipment, with remote control available as an option.

General specifications:

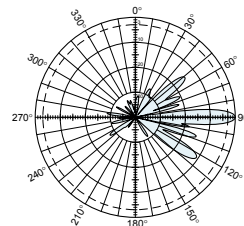
Frequency range	1710–2200 MHz
Impedance	50 ohms
VSWR	< 1.5:1
Intermodulation (2x20w)	IM3: <-150 dBc
Polarization	+45° and -45°
Front-to-back ratio	>30 dB (co-polar) >25 dB (total power)
Maximum input power	300 watts per input (at 50°C)
Electrical downtilt continuously adjustable	0–10 degrees (manual or optional remote control)
Connector	4 x 7-16 DIN female
Isolation	>30 dB
Cross polar ratio	
Main direction 0°	25 dB (typical)
Sector ±60°	>10 dB
Weight	33.1 lb (15 kg) 37.5 lb (17 kg) clamps included
Dimensions	51.9 x 12.7 x 2.8 inches (1319 x 323 x 71 mm)
Wind load	at 93 mph (150kph)
Front/Side/Rear	149 lbf / 35 lbf / 156 lbf (660 N) / (155 N) / (690 N)
Mounting category	M (Medium)
Wind survival rating*	120 mph (200 kph)
Shipping dimensions	62 x 14.2 x 5.1 inches (1574 x 360 x 130 mm)
Mounting	Fixed mounts for 2 to 4.6 inch (50 to 115 mm) OD masts are included and tilt options are available.

See reverse for order information.

Specifications:	1710–1880 MHz	1850–1990 MHz	1920–2200 MHz
Gain	17.6 dBi	17.8 dBi	18 dBi
+45° and -45° polarization horizontal beamwidth	64° (half-power)	64° (half-power)	62° (half-power)
+45° and -45° polarization vertical beamwidth	7° (half-power)	6.8° (half-power)	6.5° (half-power)
Sidelobe suppression for first sidelobe above main beam	0° 5° 10° T 20 18 16 dB	0° 5° 10° T 20 18 16 dB	0° 5° 10° T 16 18 16 dB



Horizontal pattern
±45°- polarization



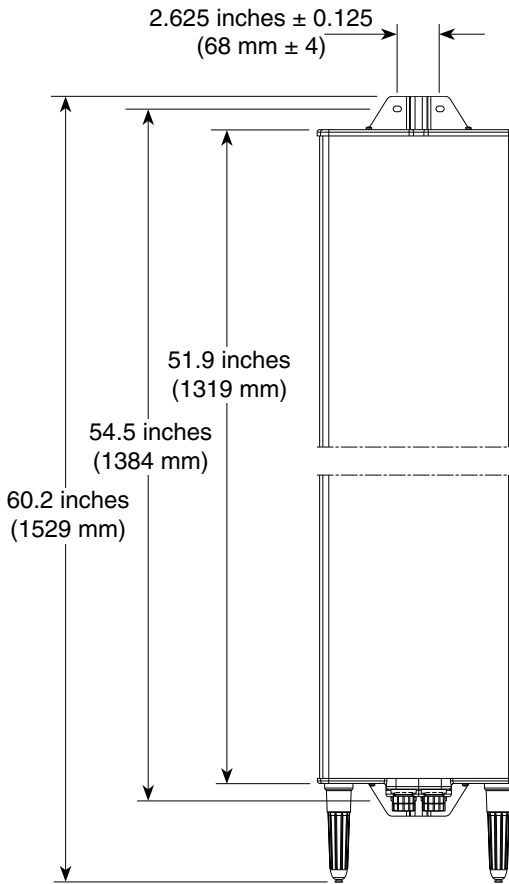
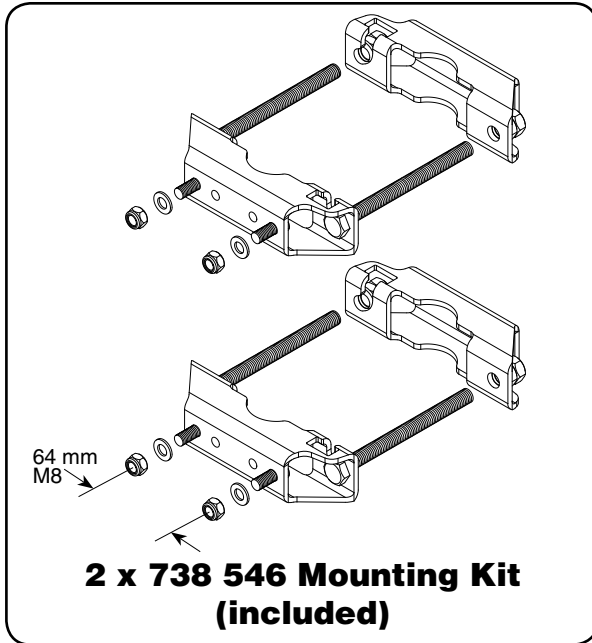
Vertical pattern
±45°- polarization



* Mechanical design is based on environmental conditions as stipulated in TIA-222-G-2 (December 2009) and/or ETS 300 019-1-4 which include the static mechanical load imposed on an antenna by wind at maximum velocity. See the Engineering Section of the catalog for further details.

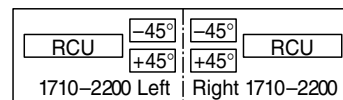
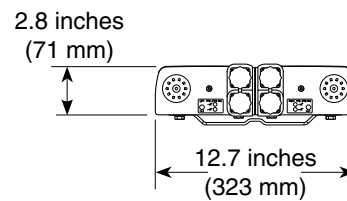


11273-B
936.3781/a



Mounting Options:

Model	Description
2 x 738 546 (included)	Mounting Kit for 2 to 4.6 inch (50 to 115 mm) OD mast. 4.4 lb (2 kg)
850 10013	Tilt Mount Kit 0–16 degrees downtilt angle. 7.4 lb (3.7 kg)



Layout of interface

Order Information:

Model	Description
742 236V01	Antenna with 7-16 DIN connectors 0°–10° adjustable electrical downtilt

All specifications are subject to change without notice. The latest specifications are available at www.kathrein-scala.com.