

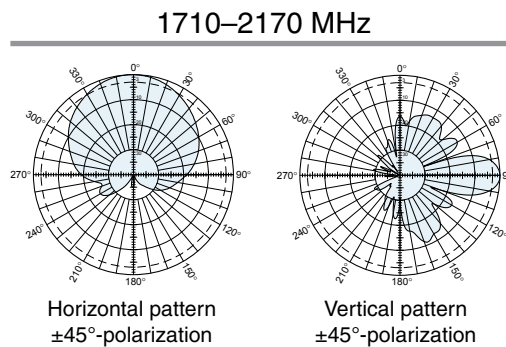
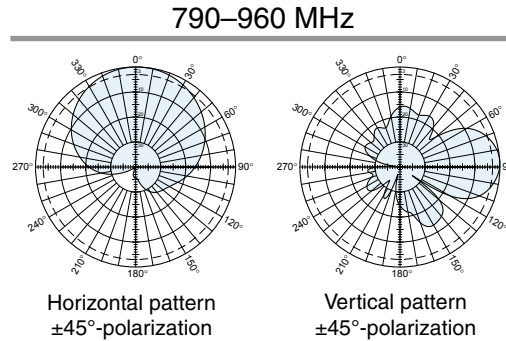
Kathrein's dual band antennas are ready for 3G applications, covering all existing wireless bands as well as all spectrum under consideration for future systems, AMPS, PCS and 3G/UMTS. These cross-polarized antennas offer diversity operation in the same space as a conventional 800 MHz antenna, and are mountable on our compact sector brackets.

- Wide band operation.
- Exceptional intermodulation characteristics.
- High strength pultruded fiberglass radome.

General specifications:

Frequency range	790–960 MHz 1710–2170 MHz
VSWR	<1.5:1
Impedance	50 ohms
Intermodulation (2x20w)	IM3: <-150 dBc
Polarization	+45° and -45°
Connector	4 x 7-16 DIN female
Isolation intrasystem	>30 dB
intersystem	>42 dB (790–960 // 1710–2170 MHz)
Weight	16.5 lb (7.5 kg) 20.9 lb (9.5 kg) clamps included
Dimensions	22.8 x 10.3 x 5.5 inches (579 x 262 x 139 mm)
Wind load Front/Side/Rear	at 93 mph (150kph) 45 lbf / 21 lbf / 57 lbf (200 N) / (90 N) / (250 N)
Mounting category	M (Medium)
Wind survival rating*	120 mph (200 kph)
Shipping dimensions	29.8 x 11.1 x 6.8 inches (756 x 282 x 172 mm)
Shipping weight	25.4 lb (11.5 kg)
Mounting	Fixed mounts for 2 to 4.6 inch (50 to 115 mm) OD masts are included and tilt options are available.

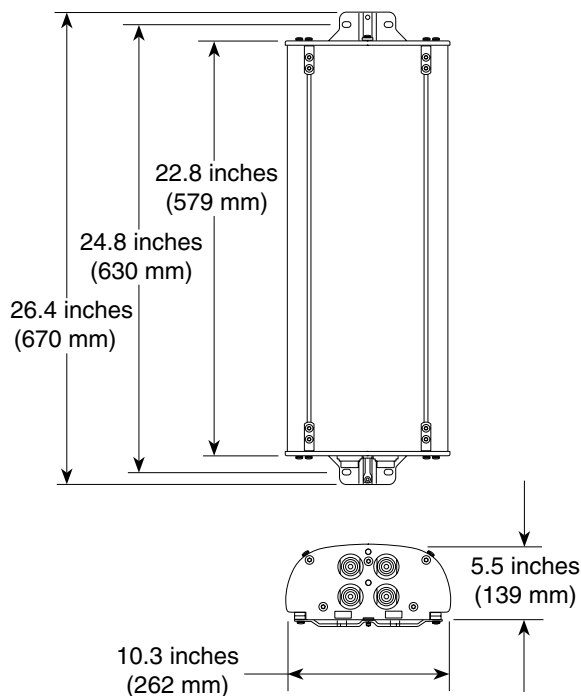
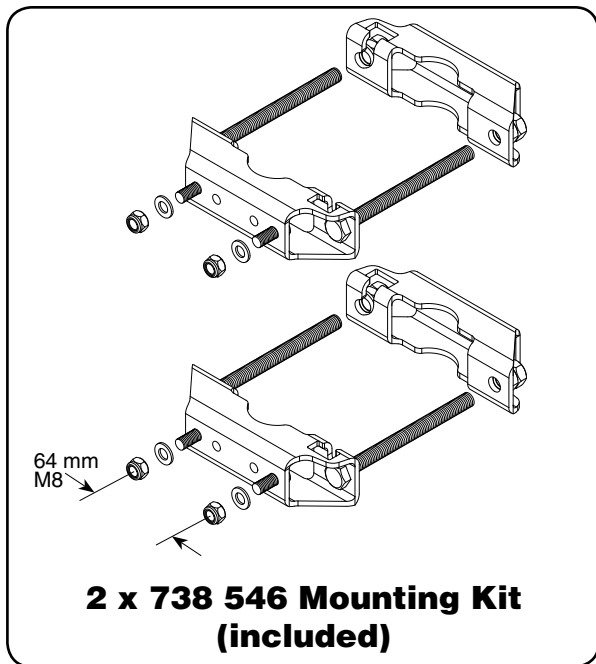
See reverse for order information.



Specifications:	790–862 MHz	824–894 MHz	880–960 MHz	1710–1880 MHz	1850–1990 MHz	1920–2170 MHz
Gain	11.1 dBi	11.4 dBi	11.8 dBi	12.8 dBi	13.3 dBi	13.6 dBi
Front-to-back ratio (180° ± 30°)						
co-polar	>23 dB	>23 dB	>25 dB	>25 dB	>25 dB	>25 dB
total power	>20 dB	>20 dB	>22 dB	>22 dB	>22 dB	>22 dB
Maximum power per input	250 watts (at 50°C)	250 watts (at 50°C)	250 watts (at 50°C)	200 watts (at 50°C)	200 watts (at 50°C)	200 watts (at 50°C)
+45° and -45° polarization horizontal beamwidth	68° (half-power)	67° (half-power)	65° (half-power)	66° (half-power)	60° (half-power)	60° (half-power)
+45° and -45° polarization vertical beamwidth	34° (half-power)	33° (half-power)	30° (half-power)	20° (half-power)	18° (half-power)	17.5° (half-power)
Cross polar ratio						
Main direction 0°	25 dB (typical)	25 dB (typical)	25 dB (typical)	16 dB (typical)	18 dB (typical)	20 dB (typical)
Sector ±60°	>10 dB	>10 dB	>10 dB	>10 dB	>10 dB	>10 dB
Tracking, average		1 dB			0.5 dB	
Squint		±3°			±1.5°	

* Mechanical design is based on environmental conditions as stipulated in TIA-222-G-2 (December 2009) and/or ETS 300 019-1-4 which include the static mechanical load imposed on an antenna by wind at maximum velocity. See the Engineering Section of the catalog for further details.





Profile PA2

Mounting Options:

Model	Description
2 x 738 546 (included)	Mounting Kit for 2 to 4.6 inch (50 to 115 mm) OD mast. 4.4 lb (2 kg)
850 10013	Locking Tilt Mount Kit 0-34 degrees downtilt angle. 7.4 lb (3.7 kg)

1710-2170	
-45°	+45°
-45°	+45°
790-960	

Order Information:

Model	Description
742 226V01	Antenna with 4 x 7-16 DIN connectors 0° electrical downtilt

All specifications are subject to change without notice. The latest specifications are available at www.kathrein-scala.com.

Kathrein Inc., Scala Division Post Office Box 4580 Medford, OR 97501 (USA) Phone: (541) 779-6500 Fax: (541) 779-3991
Email: communications@kathrein.com Internet: www.kathrein-scala.com