

Kathrein's X-polarized adjustable electrical downtilt antennas offer the wireless carrier the ability to tailor polarization diversity sites for optimum performance. Using variable downtilt, only a few models need be procured to accommodate the needs of widely varying conditions. Remotely controlled downtilt is available as a retrofitable option.

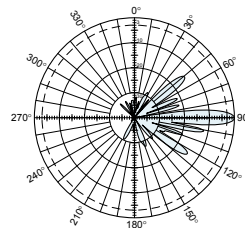
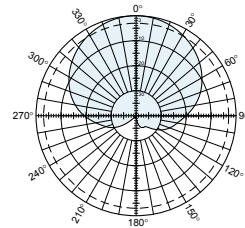
- 0-10° downtilt range.
- DC Grounded metallic parts for impulse suppression.
- No moving electrical connections.
- Wideband vector dipole technology.
- Optional remote downtilt Control.
- Will accommodate future 3G / UMTS applications.

**General specifications:**

Frequency range	1710–2200 MHz
Impedance	50 ohms
VSWR	< 1.5:1
Intermodulation (2x20w)	IM3: < -150 dBc
Polarization	+45° and -45°
Front-to-back ratio (180° ±30°)	>30 dB (co-polar) >25 dB (total power)
Maximum input power	300 watts per input (at 50°C)
Electrical downtilt continuously adjustable	0–10 degrees
Connector	2 x 7-16 DIN female
Isolation	>30 dB
Cross polar ratio	
Main direction 0°	25 dB (typical)
Sector ±60°	>10 dB
Tracking, average	0.5 dB
Squint	±1.5°
Weight	14.3 lb (6.5 kg) 18.7 lb (8.5 kg) clamps included
Dimensions	51.7 x 6.1 x 2.8 inches (1314 x 155 x 70 mm)
Wind load	at 93 mph (150kph)
Front/Side/Rear	75 lbf / 21 lbf / 77 lbf (330 N) / (90 N) / (340 N)
Mounting category	L (Light)
Wind survival rating*	120 mph (200 kph)
Shipping dimensions	62.8 x 6.8 x 3.6 inches (1595 x 172 x 92 mm)
Shipping weight	22 lb (10 kg)
Mounting	Fixed mounts for 2 to 4.6 inch (50 to 115 mm) OD masts are included and tilt options are available.

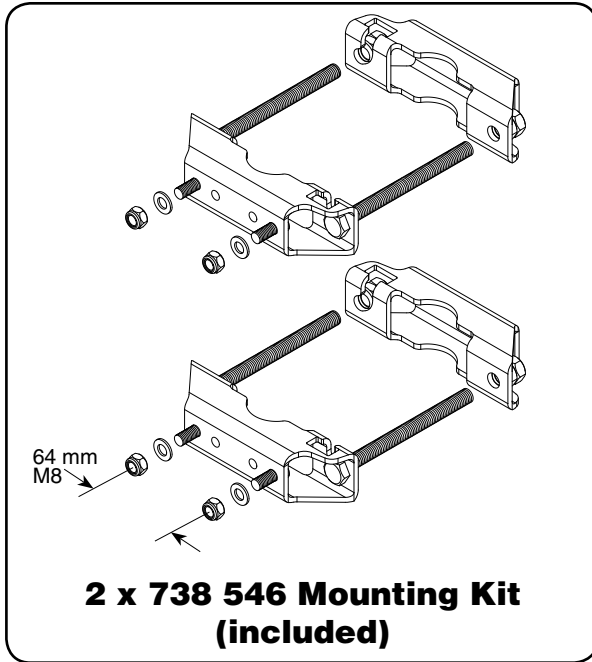
See reverse for order information.

Specifications:	1710–1880 MHz	1850–1990 MHz	1920–2200 MHz
Gain	17.7 dBi	17.9 dBi	18 dBi
+45° and -45° polarization horizontal beamwidth	68° (half-power)	66° (half-power)	64° (half-power)
+45° and -45° polarization vertical beamwidth	7.1° (half-power)	6.8° (half-power)	6.4° (half-power)
Vertical Pattern–sidelobe suppression for first side- lobe above main beam	0° 4° 8° 10° 18 18 17 17 dB	0° 4° 8° 10° 18 18 17 17 dB	0° 4° 8° 10° 18 18 17 17 dB



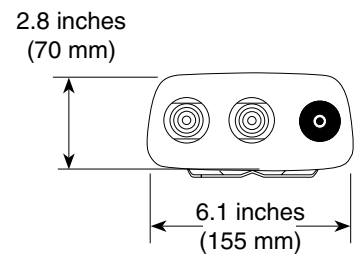
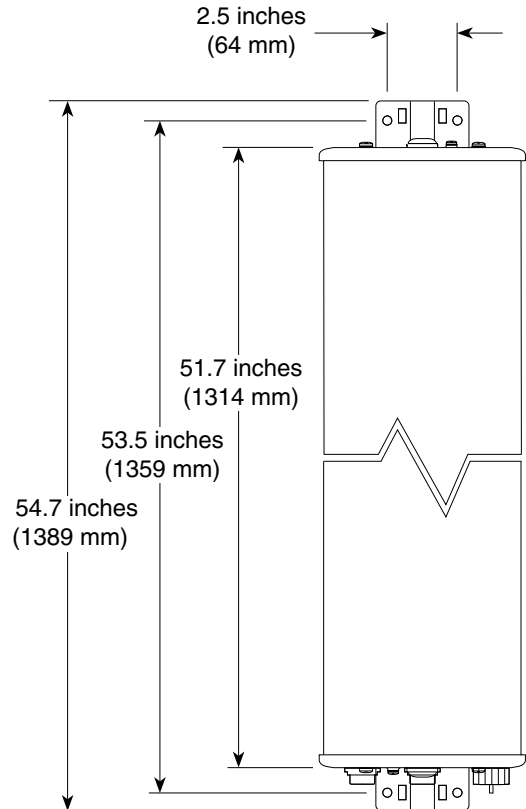
\* Mechanical design is based on environmental conditions as stipulated in EIA-222-G (April 2007) and/or ETS 300 019-1-4 which include the static mechanical load imposed on an antenna by wind at maximum velocity. See the Engineering Section of the catalog for further details.

11272-B  
936.3733/d



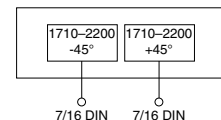
**Mounting Options:**

Model	Description
2 x 738 546 (included)	Mounting Kit for 2 to 4.6 inch (50 to 115 mm) OD mast. 4.4 lb (2 kg)
850 10013	Tilt Mount Kit 0–13 degrees downtilt angle. 7.4 lb (3.7 kg)



**Order Information:**

Model	Description
742 215V01	Antenna with 7-16 DIN connectors 0°–10° adjustable electrical downtilt



All specifications are subject to change without notice. The latest specifications are available at [www.kathrein-scala.com](http://www.kathrein-scala.com).