

Kathrein panels for PCS feature:

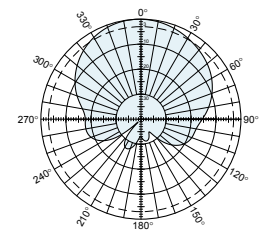
- Heavy-duty construction using the highest quality materials: UV resistant pulltruded fiberglass radomes, stainless steel fasteners and hardware, rigid aluminum reflectors, and low loss coaxial cable power divider harness, all contributing to long, trouble free service life.
- Superior electrical specifications including low VSWR, wide bandwidth, flat frequency response, and superb intermodulation performance.



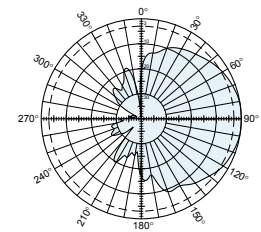
General specifications:

Frequency range	1710–2170 MHz	
Impedance	50 ohms	
VSWR	< 1.4:1	
Intermodulation (2x20w)	IM3:< -150 dBc	
Polarization	+45° and -45°	
Maximum input power	150 watts per input (at 50°C)	
Connector	2 x 7-16 DIN female	
Cross polar ratio		
Main direction	0°	25 dB (typical)
Sector	±60°	>10 dB
Isolation	>30 dB	
Tracking, average	1 dB	
Squint	±3°	
Weight	3.3 lb (1.5 kg)	
Dimensions	6.1 x 6.1 x 2.7 inches (155 x 155 x 69 mm)	
Wind load	at 93 mph (150kph)	
Front/Side/Rear	12 lbf / 3 lbf / 13 lbf (50 N) / (13 N) / (55 N)	
Mounting category	L (Light)	
Wind survival rating*	120 mph (200 kph)	
Shipping dimensions	10.1 x 6.8 x 3.6 inches (257 x 172 x 92 mm)	
Shipping weight	4.4 lb (2 kg)	
Mounting	Band clamps for 1.8 to 4.9 inch (45 to 115 mm) OD masts are included.	

See reverse for order information.



Horizontal pattern
±45°-polarization



Vertical pattern
±45°-polarization

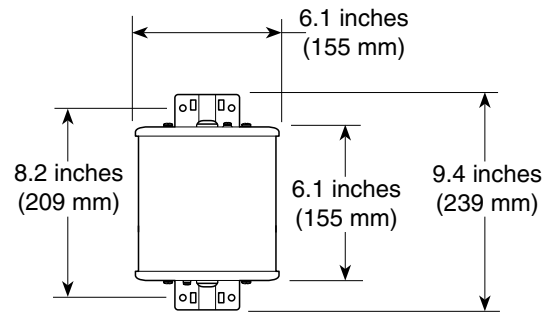
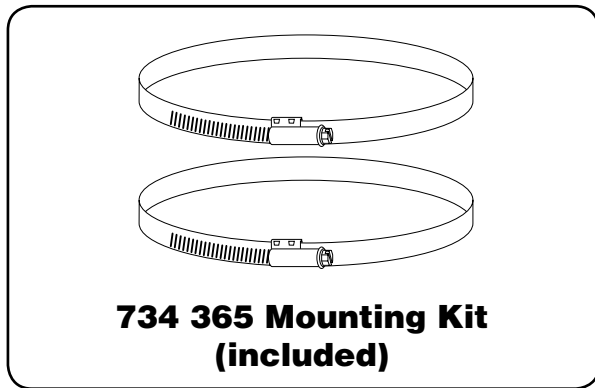
Specifications:	1710–1880 MHz	1850–1990 MHz	1920–2170 MHz
Gain	8.5 dBi	8.6 dBi	8.7 dBi
Front-to-back ratio	>25 dB (co-polar)	>30 dB (co-polar)	>30 dB (co-polar)
+45° and -45° polarization horizontal beamwidth	70° (half-power)	68° (half-power)	65° (half-power)
+45° and -45° polarization vertical beamwidth	65° (half-power)	65° (half-power)	63° (half-power)

* Mechanical design is based on environmental conditions as stipulated in TIA-222-G-2 (December 2009) and/or ETS 300 019-1-4 which include the static mechanical load imposed on an antenna by wind at maximum velocity. See the Engineering Section of the catalog for further details.



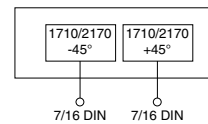
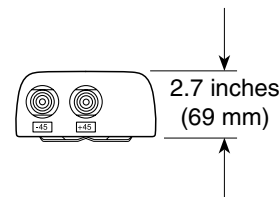
11288-B
936.3969/a





Mounting Options:

Model	Description
734 365 (included)	Mounting Kit for 1.8 to 4.9 inch (45 to 125 mm) OD mast.
742 263	Three-panel Sector Mounting Kit (120 deg. ea.) for 3.5 inch (89 mm) OD mast.



Order Information:

Model	Description
742 210V01	Antenna with 7-16 DIN connectors

All specifications are subject to change without notice. The latest specifications are available at www.kathrein-scala.com.

Kathrein Inc., Scala Division Post Office Box 4580 Medford, OR 97501 (USA) Phone: (541) 779-6500 Fax: (541) 779-3991
Email: communications@kathrein.com Internet: www.kathrein-scala.com