

Kathrein panels for PCS feature:

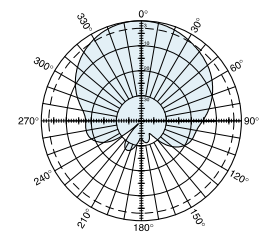
- Heavy-duty construction using the highest quality materials: UV resistant pulltruded fiberglass radomes, stainless steel fasteners and hardware, rigid aluminum reflectors, and low loss coaxial cable power divider harness, all contributing to long, trouble free service life.
- Superior electrical specifications including low VSWR, wide bandwidth, flat frequency response, and superb intermodulation performance.
- Will accommodate future 3G / UMTS applications.



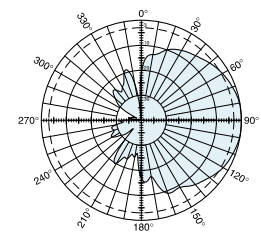
**General specifications:**

Frequency range	1710–2170 MHz (broadband)
Impedance	50 ohms
VSWR	< 1.4:1
Intermodulation (2x20w)	IM3: -150 dBc
Polarization	+45° and -45°
Maximum input power	150 watts per input (at 50°C)
Connector	2 x 7/16 DIN female
Cross polar ratio	
Main direction	0° 25 dB (typical)
Sector	±60° >10 dB
Isolation	>30 dB
Weight	3.3 lb (1.5 kg)
Dimensions	6.1 x 6.1 x 2.7 inches (155 x 155 x 69 mm)
Equivalent flat plate area	0.39 ft <sup>2</sup> (0.036 m <sup>2</sup> )
Wind survival rating*	120 mph (200 kph)
Shipping dimensions	10.1 x 6.8 x 3.6 inches (257 x 172 x 92 mm)
Shipping weight	4.4 lb (2 kg)
Mounting	Fixed mount options are available for 1.2 to 5.3 inch (30 to 135 mm) OD masts.

*See reverse for order information.*



Horizontal pattern  
±45°-polarization



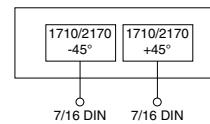
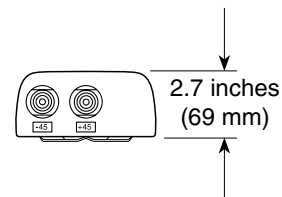
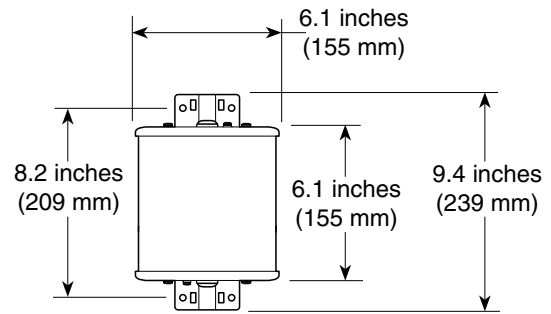
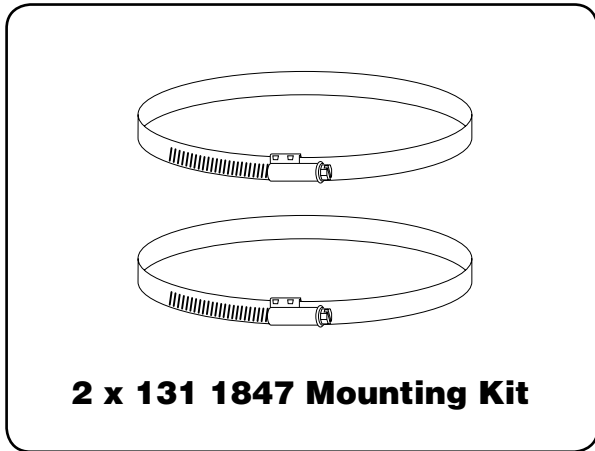
Vertical pattern  
±45°-polarization

Specifications:	1710–1880 MHz	1850–1990 MHz	1920–2170 MHz
Gain	8.5 dBi	8.6 dBi	8.7 dBi
Front-to-back ratio	>25 dB (co-polar)	>30 dB (co-polar)	>30 dB (co-polar)
+45° and -45° polarization horizontal beamwidth	70° (half-power)	68° (half-power)	65° (half-power)
+45° and -45° polarization vertical beamwidth	65° (half-power)	65° (half-power)	63° (half-power)

\* Mechanical design is based on environmental conditions as stipulated in EIA-222-F (June 1996) and/or ETS 300 019-1-4 which include the static mechanical load imposed on an antenna by wind at maximum velocity. See the Engineering Section of the catalog for further details.



10834-B  
936.2355/b



**Mounting Options:**

Model	Description
2 x 131 1847	Mounting Kit for 2 to 5.7 inch (50 to 145 mm) OD mast.
742 263	Three-panel Sector Mounting Kit (120 deg. ea.) for 3.5 inch (89 mm) OD mast.

**Order Information:**

Model	Description
742 210	Antenna with 7/16 DIN connectors

All specifications are subject to change without notice. The latest specifications are available at [www.kathrein-scala.com](http://www.kathrein-scala.com).

Kathrein Inc., Scala Division Post Office Box 4580 Medford, OR 97501 (USA) Phone: (541) 779-6500 Fax: (541) 779-3991  
Email: [communications@kathrein.com](mailto:communications@kathrein.com) Internet: [www.kathrein-scala.com](http://www.kathrein-scala.com)