

Kathrein panels for PCS feature:

- Heavy-duty construction using the highest quality materials: UV resistant pultruded fiberglass radomes, stainless steel fasteners and hardware, rigid aluminum reflectors, and low loss coaxial cable power divider harness, all contributing to long, trouble free service life.
- Superior electrical specifications including low VSWR, wide bandwidth, flat frequency response, and superb intermodulation performance.
- Precision continuously adjustable electrical downtilt controls, manual control as standard equipment, with remote control available as an option.

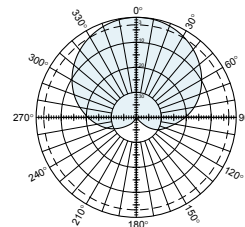
General specifications:

Frequency range	1710–2170 MHz	
Impedance	50 ohms	
VSWR	< 1.5:1	
Intermodulation (2x20w)	IM3:< -150 dBc	
Polarization	+45° and -45°	
Maximum input power	300 watts per input (at 50°C)	
Connector	2 x 7-16 DIN female	
Cross polar ratio		
Main direction	0°	25 dB (typical)
Sector	±60°	>14 dB
Isolation	>30 dB	
Tracking	0.5 dB	
Squint	±1°	
Weight	20.9 lb (9.5 kg) 25.4 lb (11.5 kg) clamps included	
Dimensions	85 x 6.1 x 2.7 inches (2160 x 155 x 69 mm)	
Wind load	at 93 mph (150kph)	
Front/Side/Rear	131 lbf / 45 lbf / 151 lbf (580 N) / (200 N) / (670 N)	
Mounting category	M (Medium)	
Wind survival rating*	120 mph (200 kph)	
Shipping dimensions	89.4 x 6.8 x 3.6 inches (2304 x 172 x 92 mm)	
Shipping weight	29.5 lb (13.4 kg)	
Mounting	Fixed mounts for 2 to 4.6 inch (50 to 115 mm) OD masts are included and tilt options are available.	

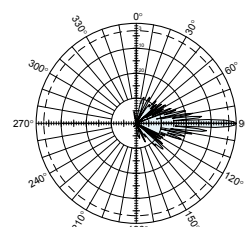
See reverse for order information.

Specifications:	1710–1880 MHz	1850–1990 MHz	1920–2170 MHz
Gain	20 dBi	20.2 dBi	20.5 dBi
Front-to-back ratio (180° ± 30°)	>30 dB (co-polar) >28 dB (total power)	>30 dB (co-polar) >28 dB (total power)	>30 dB (co-polar) >27 dB (total power)
+45° and -45° polarization horizontal beamwidth	67° (half-power)	65° (half-power)	61° (half-power)
+45° and -45° polarization vertical beamwidth	4° (half-power)	3.8° (half-power)	3.5° (half-power)

* Mechanical design is based on environmental conditions as stipulated in TIA-222-G-2 (December 2009) and/or ETS 300 019-1-4 which include the static mechanical load imposed on an antenna by wind at maximum velocity. See the Engineering Section of the catalog for further details.



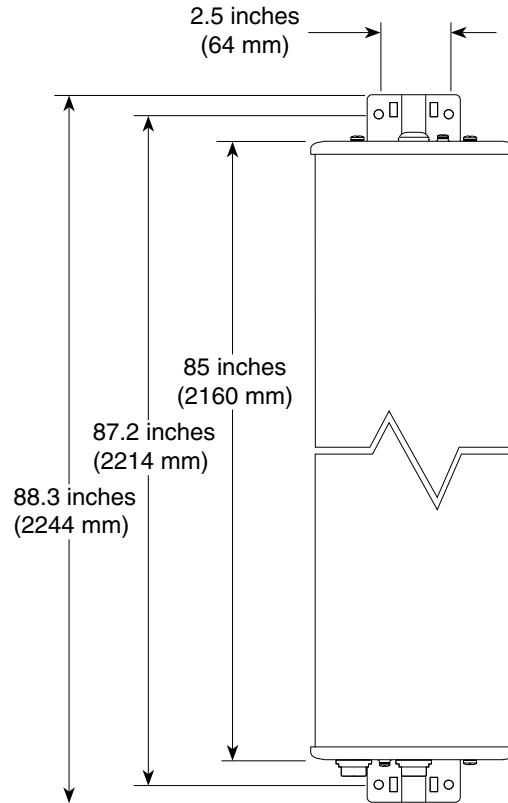
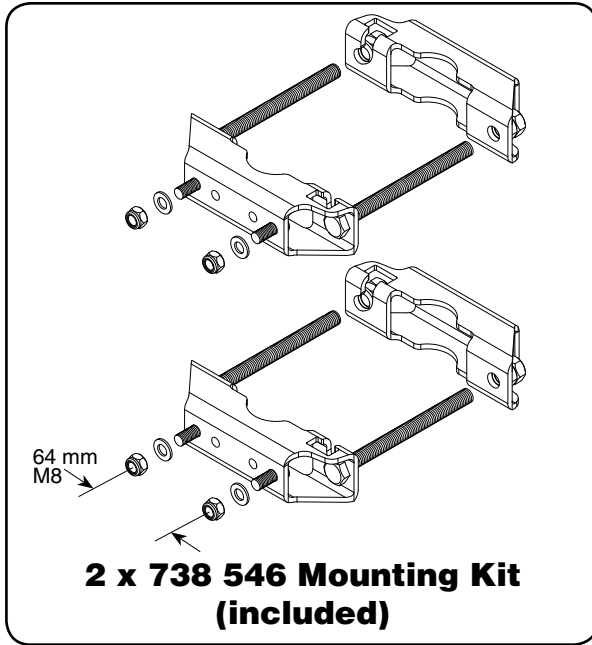
Horizontal pattern
±45°-polarization



Vertical pattern
±45°-polarization

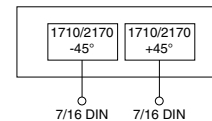
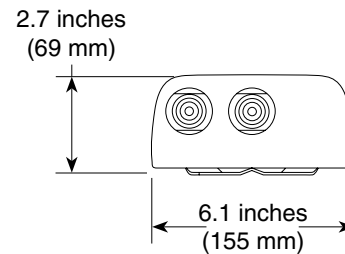


11285-A
936.3937/a



Mounting Options:

Model	Description
2 x 738 546 (included)	Mounting Kit for 2 to 4.6 inch (50 to 115 mm) OD mast. 4.4 lb (2 kg)
742 033	Three-panel Sector Mounting Kit (120 deg. ea.) for 4.5 inch (114.3 mm) OD mast.
742 034	Three-panel Sector Mounting Kit (120 deg. ea.) for 5.5 inch (139.7 mm) OD mast.
850 10013	Tilt Mount Kit 0–10 degrees downtilt angle.



Order Information:

Model	Description
742 186V01	Antenna with 7/16 DIN connectors

All specifications are subject to change without notice. The latest specifications are available at www.kathrein-scala.com.

Kathrein Inc., Scala Division Post Office Box 4580 Medford, OR 97501 (USA) Phone: (541) 779-6500 Fax: (541) 779-3991
Email: communications@kathrein.com Internet: www.kathrein-scala.com