

Kathrein's X-polarized adjustable electrical downtilt antennas offer the wireless carrier the ability to tailor polarization diversity sites for optimum performance. Using variable downtilt, only a few models need be procured to accommodate the needs of widely varying conditions. Remotely controlled downtilt is available as a retrofitable option.

- 0-10° downtilt range.
- UV resistant pulltruded fiberglass radome.
- DC Grounded metallic parts for impulse suppression.
- No moving electrical connections.
- Wideband vector dipole technology.
- Optional remote downtilt Control.

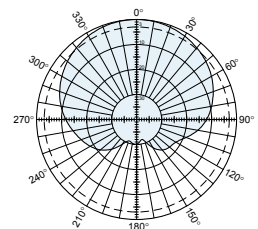
General specifications:

Frequency range	1710–2170 MHz
VSWR	<1.5:1
Impedance	50 ohms
Intermodulation (2x20w)	IM3: <-150 dBc
Polarization	+45° and -45°
Front-to-back ratio	>25 dB (co-polar) >25 dB (total power)
Connector	2 x 7-16 DIN female
Isolation	>30 dB
Maximum input power	300 watts (at 50°C) per input
Tracking	0.5 dB
Squint	±3.5°
Weight	9.3 lb (4.2 kg)
Dimensions	26.1 x 6.1 x 2.7 inches (662 x 155 x 69 mm)
Wind load	at 93 mph (150kph)
Front/Side/Rear	40 lbf / 15 lbf / 45 lbf (175 N) / (65 N) / (200 N)
Mounting category	L (Light)
Wind survival rating*	120 mph (200 kph)
Shipping dimensions	36.8 x 6.8 x 3.6 inches (935 x 172 x 92 mm)
Shipping weight	12 lb (5.5 kg)
Mounting	Band clamps for 1.8 to 4.9 inch (45 to 115 mm) OD masts are included. Fixed and tilt mount options are available for 2 to 4.6 inch (50 to 115 mm) OD masts.

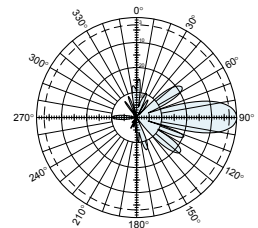
See reverse for order information.

Specifications:	1710–1880 MHz	1850–1990 MHz	1920–2170 MHz
Gain	13.7 dBi	14 dBi	14.1 dBi
Horizontal beamwidth	88° (half-power)	88° (half-power)	88° (half-power)
Vertical beamwidth	14.7° (half-power)	14° (half-power)	13° (half-power)
Electrical downtilt continuously adjustable	0°–10° (manual or optional remote control)	0°–10°	0°–10°
Sidelobe suppression for first sidelobe above horizon	0° 4° 8° 10° T 18 18 18 18 dB	0° 4° 8° 10° T 18 18 18 18 dB	0° 4° 8° 10° T 18 18 18 18 dB
Cross polar ratio			
Main direction	0°	20 dB (typical)	20 dB (typical)
Sector	±60°	>10 dB	>10 dB

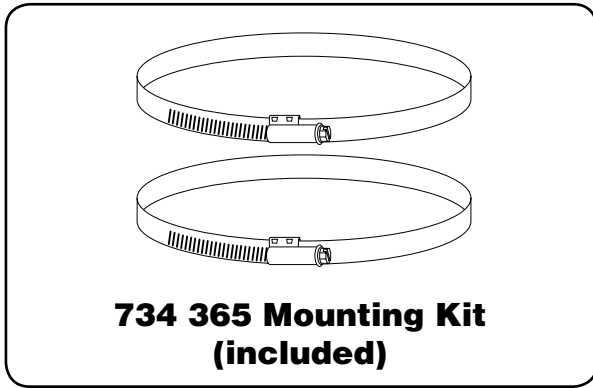
*Mechanical design is based on environmental conditions as stipulated in TIA-222-G-2 (December 2009) and/or ETS 300 019-1-4 which include the static mechanical load imposed on an antenna by wind at maximum velocity. See the Engineering Section of the catalog for further details.



Horizontal pattern
±45°- polarization

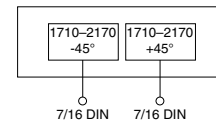
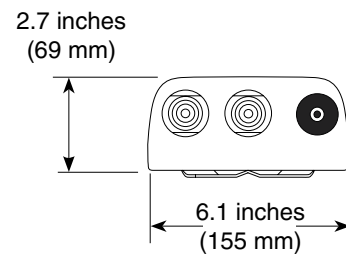
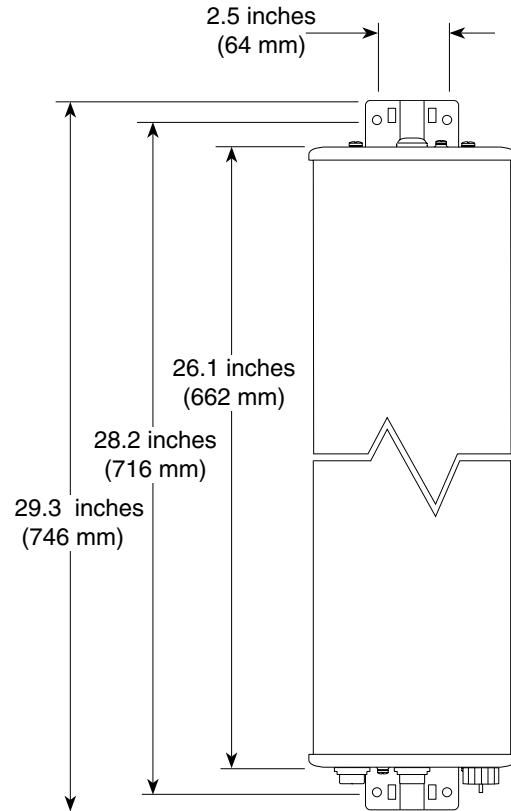


Vertical pattern
±45°- polarization



Mounting Options:

Model	Description
734 365 (included)	Mounting Kit for 1.8 to 4.9 inch (45 to 125 mm) OD mast.
2 x 738 546	Mounting Kit for 2 to 4.6 inch (50 to 115 mm) OD mast. 4.4 lb (2 kg)
850 10013	Tilt Mount Kit 0–54 degrees downtilt angle. 7.4 lb (3.7 kg) (requires 2 x 738 546 mounting kit)



Order Information:

Model	Description
741 988V01	Antenna with 7-16 DIN connectors 0°–10° adjustable electrical downtilt

All specifications are subject to change without notice. The latest specifications are available at www.kathrein-scala.com.