



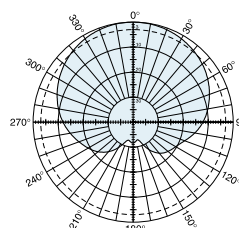
Kathrein wideband X-polarized antennas are designed for use in PCS and 3G/UMTS polarization diversity systems.

- X-polarized (+45° and -45°).
- UV resistant pulltruded radomes.
- Wideband vector dipole technology.
- DC Grounded metallic parts for impulse suppression.

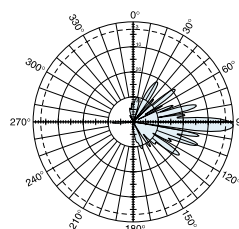
**General specifications:**

Frequency range	1710–2200 MHz
VSWR	<1.4:1
Impedance	50 ohms
Intermodulation (2x20w)	IM3:< -150 dBc
Polarization	+45° and -45°
Front-to-back ratio (180° ± 30°)	>25 dB (co-polar) >25 dB (total power)
Connector	2 x 7-16 DIN female
Maximum input power	300 watts (at 50°C) per input
Electrical downtilt	2°
Isolation	>30 dB
Weight	14.3 lb (6.5 kg)
Dimensions	51.3 x 6.1 x 2.7 inches (1302 x 155 x 69 mm)
Equivalent flat plate area	2.98 ft <sup>2</sup> (0.277 m <sup>2</sup> )
Wind survival rating*	120 mph (200 kph)
Shipping dimensions	55.3 x 6.8 x 3.6 inches (1404 x 172 x 92 mm)
Shipping weight	18.7 lb (8.5 kg)
Mounting	Fixed mount options are available for 2 to 4.6 inch (50 to 115 mm) OD masts.

See reverse for order information.



Horizontal pattern  
±45°- polarization



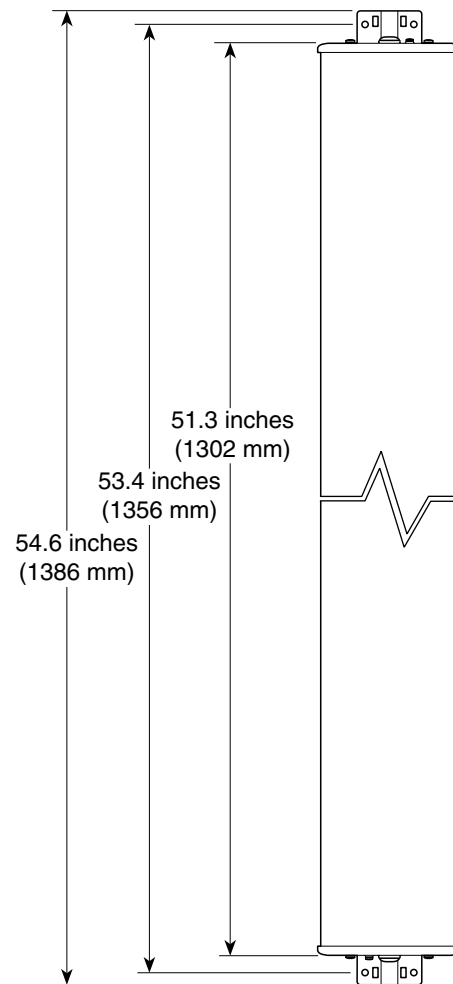
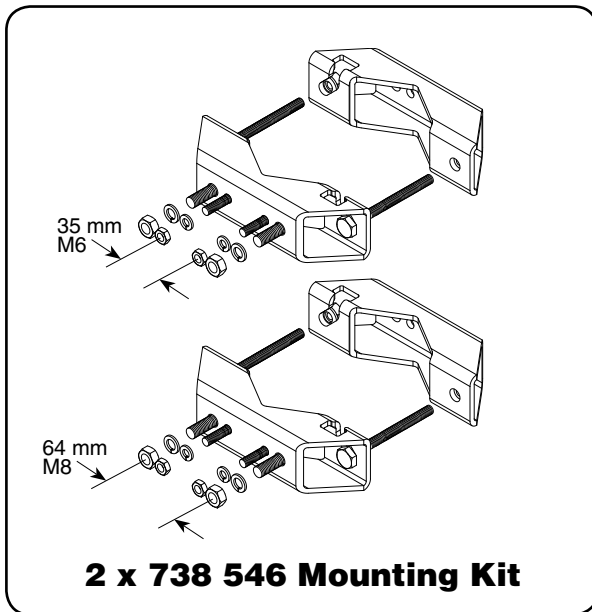
Vertical pattern  
±45°- polarization  
2° electrical downtilt

Specifications:	1710–1880 MHz	1850–1990 MHz	1920–2200 MHz
Gain	16.5 dBi	16.8 dBi	17 dBi
±45° polarization horizontal beamwidth	88° (half-power)	88° (half-power)	88° (half-power)
±45° polarization vertical beamwidth	6.9° (half-power)	6.5° (half-power)	6.2° (half-power)
Sidelobe suppression for first sidelobe above horizon	>16 dB	>16 dB	>16 dB
Cross polar ratio			
Main direction 0°	20 dB (typical)	20 dB (typical)	20 dB (typical)
Sector ±60°	>10 dB	>10 dB	>10 dB

\* Mechanical design is based on environmental conditions as stipulated in EIA-222-F (June 1996) and/or ETS 300 019-1-4 which include the static mechanical load imposed on an antenna by wind at maximum velocity. See the Engineering Section of the catalog for further details.

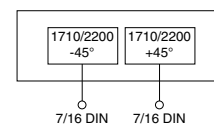
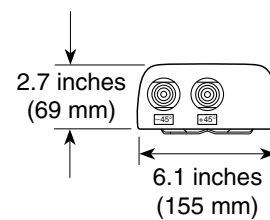


10705-D  
936.2157/d



**Mounting Options:**

Model	Description
2 x 738 546	Mounting Kit for 2 to 4.6 inch (50 to 115 mm) OD mast.
850 10013	Tilt Mount Kit 0–16 degrees downtilt angle.
742 263	Three-panel Sector Mounting Kit (120 deg. ea.) for 3.5 inch (89 mm) OD mast.



**Order Information:**

Model	Description
741 987	Antenna with 2 x 7-16 DIN connectors 2° electrical downtilt

All specifications are subject to change without notice. The latest specifications are available at [www.kathrein-scala.com](http://www.kathrein-scala.com).

Kathrein Inc., Scala Division Post Office Box 4580 Medford, OR 97501 (USA) Phone: (541) 779-6500 Fax: (541) 779-3991  
Email: [communications@kathrein.com](mailto:communications@kathrein.com) Internet: [www.kathrein-scala.com](http://www.kathrein-scala.com)