

Kathrein wideband X-polarized antennas are designed for use in PCS and 3G/UMTS polarization diversity systems.

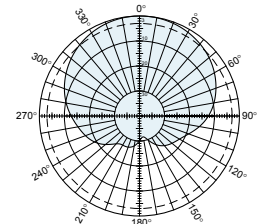
- X-polarized (+45° and -45°).
- UV resistant pultruded radomes.
- Wideband vector dipole technology.
- DC Grounded metallic parts for impulse suppression.

General specifications:

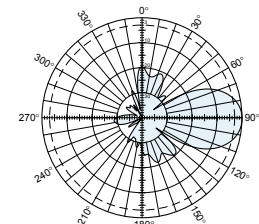
Frequency range	1710–2170 MHz
VSWR	<1.4:1
Impedance	50 ohms
Intermodulation (2x20w)	IM3: <-150 dBc
Polarization	+45° and -45°
Front-to-back ratio (180° ±30°)	>23 dB (co-polar) >23 dB (total power)
Connector	2 x 7-16 DIN female
Isolation	>30 dB
Maximum input power	150 watts (at 50°C) per input
Tracking	0.5 dB
Squint	±3°
Weight	4.4 lb (2 kg)
Dimensions	13.5 x 6.1 x 2.7 inches (342 x 155 x 69 mm)
Wind load Front/Side/Rear	at 93 mph (150kph) 21 lbf / 7 lbf / 24 lbf (90 N) / (27 N) / (105 N)
Mounting category	L (Light)
Wind survival rating*	120 mph (200 kph)
Shipping dimensions	17.5 x 6.8 x 3.6 inches (444 x 172 x 92 mm)
Shipping weight	6.6 lb (3 kg)
Mounting	Band clamps for 1.8 to 4.9 inch (45 to 115 mm) OD masts are included. Fixed and tilt mount options are available for 2 to 4.6 inch (50 to 115 mm) OD masts.

See reverse for order information.

Specifications:	1710–1880 MHz	1850–1990 MHz	1920–2170 MHz
Gain	11.3 dBi	11.5 dBi	11.6 dBi
+45° and -45° polarization horizontal beamwidth	86° (half-power)	87° (half-power)	88° (half-power)
+45° and -45° polarization vertical beamwidth	28° (half-power)	26° (half-power)	26° (half-power)
Sidelobe suppression vertical sector ±45°	>20 dB	>20 dB	>20 dB
Cross polar ratio			
Main direction 0°	20 dB (typical)	25 dB (typical)	20 dB (typical)
Sector ±60°	>18 dB	>18 dB	>15 dB



Horizontal pattern
±45°- polarization

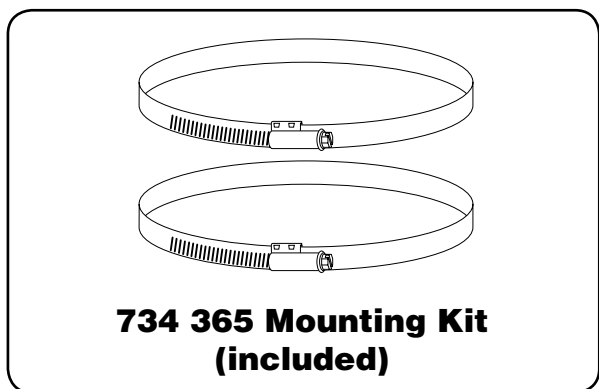


Vertical pattern
±45°- polarization

*Mechanical design is based on environmental conditions as stipulated in TIA-222-G-2 (December 2009) and/or ETS 300 019-1-4 which include the static mechanical load imposed on an antenna by wind at maximum velocity. See the Engineering Section of the catalog for further details.

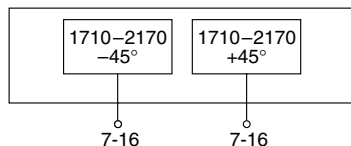
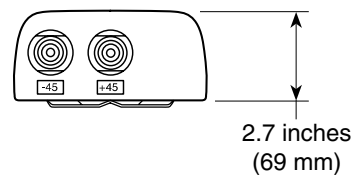
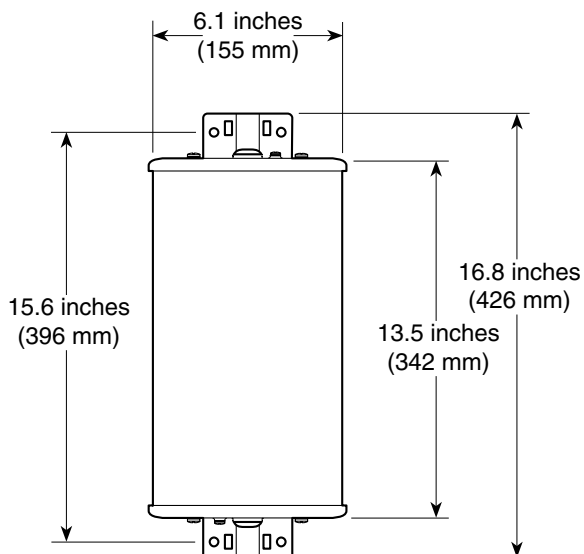


11282-A
936.3938/a



Mounting Options:

Model	Description
734 365 (included)	Mounting Kit for 1.8 to 4.9 inch (45 to 125 mm) OD mast.
742 263	Three-panel Sector Mounting Kit (120 deg. ea.) for 3.5 inch (89 mm) OD mast.



Order Information:

Model	Description
741 984V01	Antenna with 2 x 7-16 DIN connectors

All specifications are subject to change without notice. The latest specifications are available at www.kathrein-scala.com.

Kathrein Inc., Scala Division Post Office Box 4580 Medford, OR 97501 (USA) Phone: (541) 779-6500 Fax: (541) 779-3991
Email: communications@kathrein.com Internet: www.kathrein-scala.com