

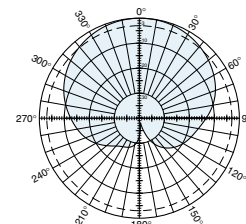
Kathrein wideband X-polarized antennas are designed for use in PCS and 3G/UMTS polarization diversity systems.

- X-polarized (+45° and -45°).
- UV resistant pulltruded radomes.
- Wideband vector dipole technology.
- DC Grounded metallic parts for impulse suppression.

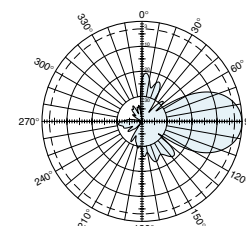
**General specifications:**

Frequency range	1710–2170 MHz
VSWR	<1.4:1
Impedance	50 ohms
Intermodulation (2x20w)	IM3: <-150 dBc
Polarization	+45° and -45°
Front-to-back ratio (180° ±30°)	>23 dB (co-polar) >23 dB (total power)
Connector	2 x 7/16 DIN female
Isolation	>30 dB
Maximum input power	150 watts (at 50°C) per input
Weight	4.4 lb (2 kg)
Dimensions	13.5 x 6.1 x 2.7 inches (342 x 155 x 69 mm)
Equivalent flat plate area	0.77 ft <sup>2</sup> (0.072 m <sup>2</sup> )
Wind survival rating*	120 mph (200 kph)
Shipping dimensions	17.5 x 6.8 x 3.6 inches (444 x 172 x 92 mm)
Shipping weight	6.6 lb (3 kg)
Mounting	Fixed and tilt mount options are available for 2 to 5.7 inch (50 to 145 mm) OD masts.

*See reverse for order information.*



Horizontal pattern  
±45°- polarization



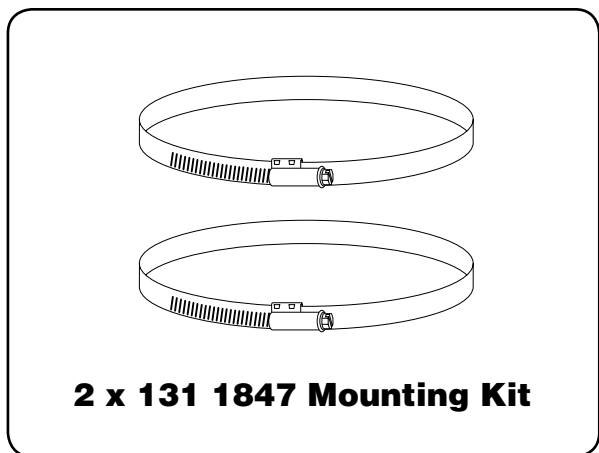
Vertical pattern  
±45°- polarization

Specifications:	1710–1880 MHz	1850–1990 MHz	1920–2170 MHz
Gain	11.3 dBi	11.5 dBi	11.6 dBi
+45° and -45° polarization horizontal beamwidth	86° (half-power)	87° (half-power)	88° (half-power)
+45° and -45° polarization vertical beamwidth	28° (half-power)	26° (half-power)	26° (half-power)
Sidelobe suppression vertical sector ±45°	>20 dB	>20 dB	>20 dB
Cross polar ratio			
Main direction 0°	20 dB (typical)	25 dB (typical)	20 dB (typical)
Sector ±60°	>18 dB	>18 dB	>15 dB

\* Mechanical design is based on environmental conditions as stipulated in EIA-222-F (June 1996) and/or ETS 300 019-1-4 which include the static mechanical load imposed on an antenna by wind at maximum velocity. See the Engineering Section of the catalog for further details.

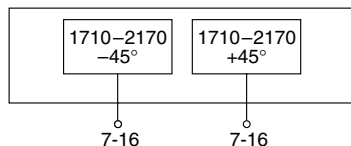
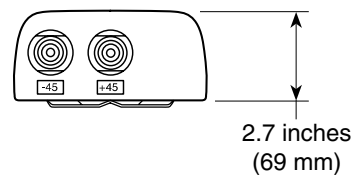
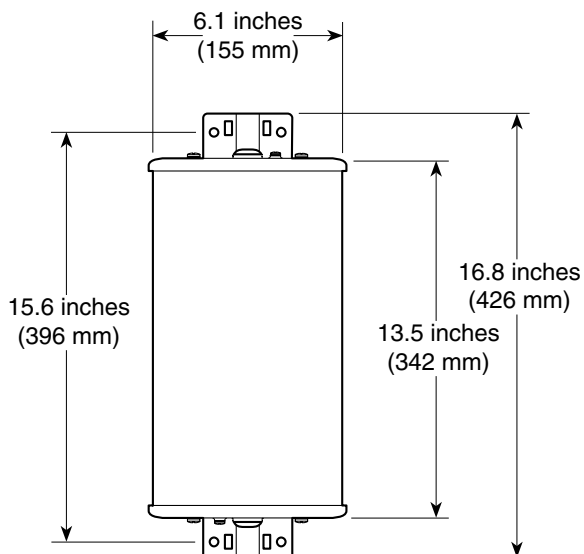


10706-D  
936.2198/b



**Mounting Options:**

Model	Description
2 x 131 1847	Mounting Kit for 2 to 5.7 inch (50 to 145 mm) OD mast.
742 263	Three-panel Sector Mounting Kit (120 deg. ea.) for 3.5 inch (89 mm) OD mast.



**Order Information:**

Model	Description
741 984	Antenna with 2 x 7/16 DIN connectors

All specifications are subject to change without notice. The latest specifications are available at [www.kathrein-scala.com](http://www.kathrein-scala.com).