

The Kathrein 741 518 directional panel antenna with dual polarization is intended for use in professional fixed-station applications in the 380–500 MHz band. It features:

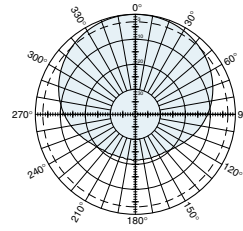
- Heavy-duty stainless steel and aluminum construction throughout.
- Excellent bandwidth and VSWR specifications.
- Heavy fiberglass radome assures excellent performance in heavy icing conditions.
- All metal parts at DC ground potential.

Specifications:

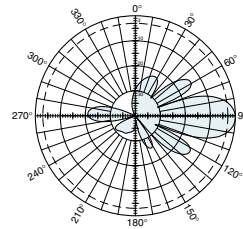
Frequency range	380–500 MHz	
Gain	380–430 MHz	13 dBi
	430–500 MHz	13.5 dBi
Impedance	50 ohms	
VSWR	<1.5:1	
Intermodulation (2x20w)	IM3: <-150 dBc	
Polarization	+45° and -45°	
Maximum input power	500 watts (at 50° C)	
Front to back ratio	> 20 dB (co-polar)	
Isolation	> 30 dB	
H-plane beamwidth	± 45° polarization	
	380–430 MHz	88 degrees (half-power)
	430–500 MHz	86 degrees (half-power)
E-plane beamwidth	± 45° polarization	
	380–430 MHz	20 degrees (half-power)
	430–500 MHz	17 degrees (half-power)
Connectors	2 x 7 16 DIN female	
Weight	40.8 lb (18.5 kg)	
Dimensions	78.6 x 12.5 x 7.6 inches (1997 x 317 x 193 mm)	
Wind load	at 93 mph (150kph)	
Front/Side/Rear	180 lbf / 120 lbf / 237 lbf (800 N) / (530 N) / (1050 N)	
Wind survival rating*	120 mph (200 kph)	
Shipping dimensions	83.9 x 13 x 9.4 inches (2130 x 330 x 240 mm)	
Mounting	Fixed and tilt mount options are available for 2 to 4.6 inch (50 to 115 mm) OD masts.	

See reverse for order information.

* Mechanical design is based on environmental conditions as stipulated in TIA-222-G-2 (December 2009) and/or ETS 300 019-1-4 which include the static mechanical load imposed on an antenna by wind at maximum velocity. See the Engineering Section of the catalog for further details.



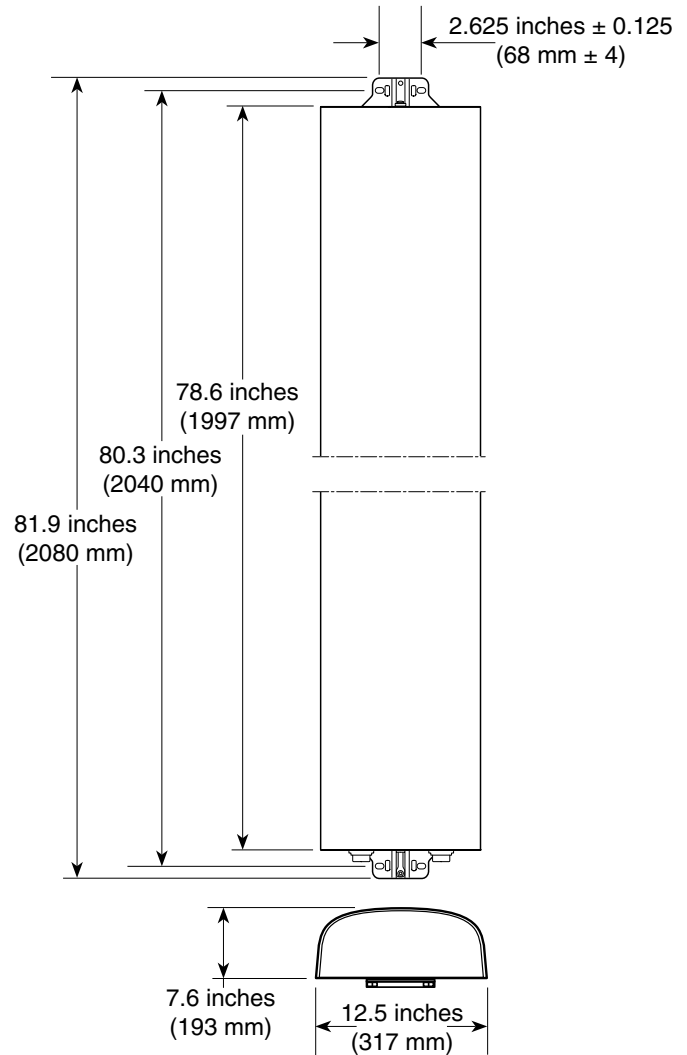
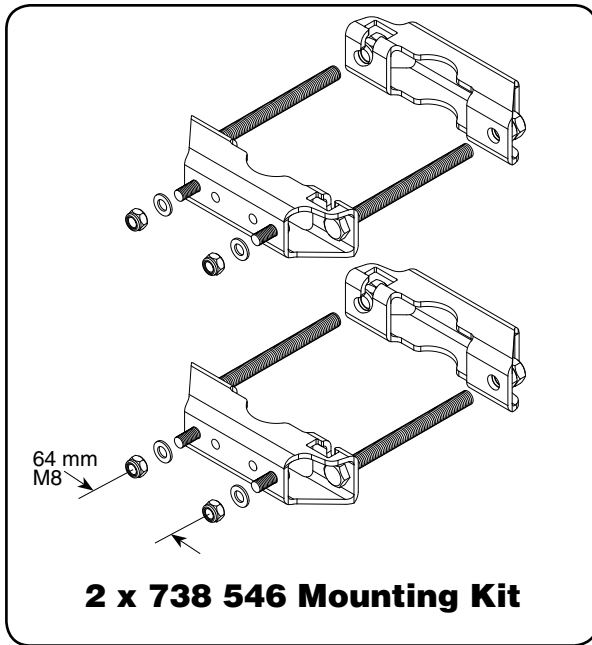
Horizontal pattern
±45°- polarization



Vertical pattern
±45°- polarization



10873-C
936.2522/b



Mounting Options:

Model	Description
2 x 738 546 (shown)	Mounting Kit for 2 to 4.6 inch (50 to 115 mm) OD mast.
850 10007	Tilt Mount Kit 0–10 degrees downtilt angle.

Order Information:

Model	Description
741 518	Panel antenna with 7-16 DIN connectors

All specifications are subject to change without notice. The latest specifications are available at www.kathrein-scala.com.

Kathrein Inc., Scala Division Post Office Box 4580 Medford, OR 97501 (USA) Phone: (541) 779-6500 Fax: (541) 779-3991
Email: communications@kathrein.com Internet: www.kathrein-scala.com