

The Kathrein 741 517 directional panel antenna with dual polarization is intended for use in professional fixed-station applications in the 380–500 MHz band. It features:

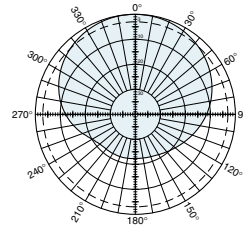
- Heavy-duty stainless steel and aluminum construction throughout.
- Excellent bandwidth and VSWR specifications.
- Heavy fiberglass radome assures excellent performance in heavy icing conditions.
- All metal parts at DC ground potential.

Specifications:

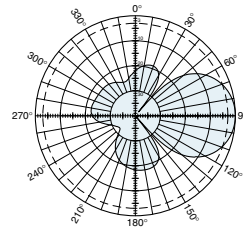
Frequency range	380–500 MHz
Gain	380–430 MHz 10 dBi 430–500 MHz 10.5 dBi
Impedance	50 ohms
VSWR	<1.5:1
Intermodulation (2x20w)	IM3: <-150 dBc
Polarization	+45° and -45°
Maximum input power	500 watts (at 50° C)
Front to back ratio	> 20 dB (co-polar)
Isolation	> 30 dB
H-plane beamwidth	± 45° polarization 380–430 MHz 88 degrees (half-power) 430–500 MHz 86 degrees (half-power)
E-plane beamwidth	± 45° polarization 380–430 MHz 40 degrees (half-power) 430–500 MHz 35 degrees (half-power)
Connectors	2 x 7-16 DIN female
Weight	23.1 lb (10.5 kg)
Dimensions	39.6 x 12.5 x 7.6 inches (1007 x 317 x 193 mm)
Wind load Front/Side	at 93 mph (150kph) 81 lbf / 50 lbf (360 N) / (220 N)
Wind survival rating*	120 mph (200 kph)
Shipping dimensions	44.9 x 13 x 9.4 inches (1140 x 330 x 240 mm)
Mounting	Fixed and tilt mount options are available for 2 to 4.6 inch (50 to 115 mm) OD masts.

See reverse for order information.

* Mechanical design is based on environmental conditions as stipulated in TIA-222-G-2 (December 2009) and/or ETS 300 019-1-4 which include the static mechanical load imposed on an antenna by wind at maximum velocity. See the Engineering Section of the catalog for further details.



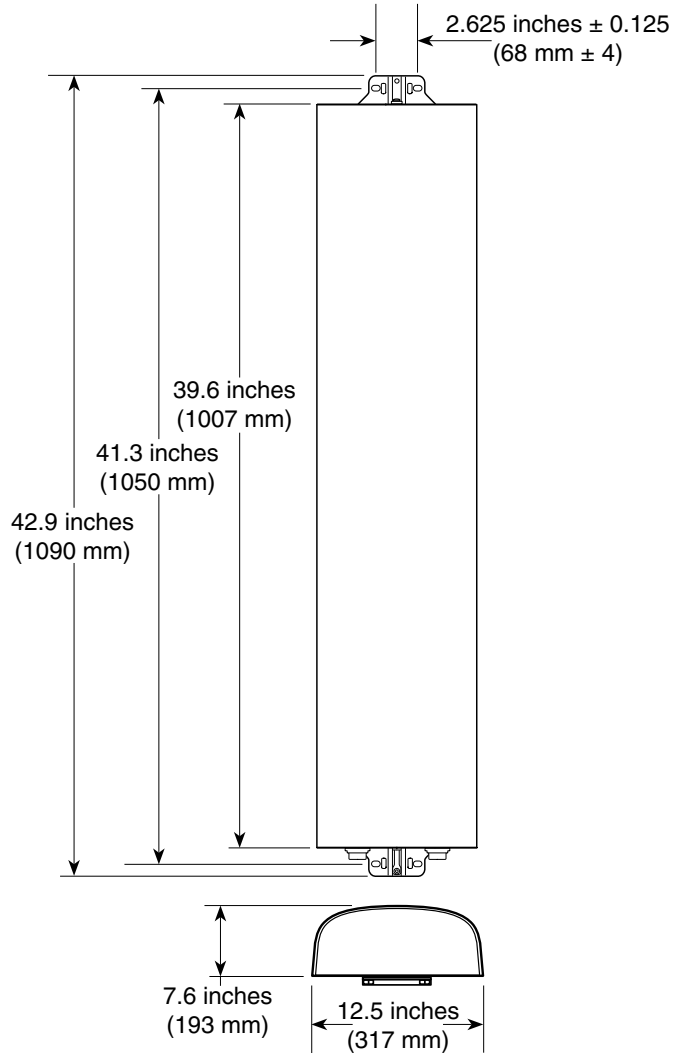
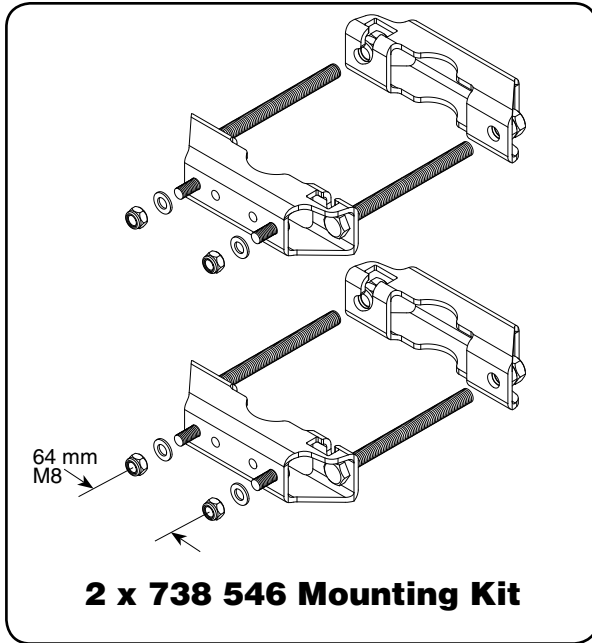
Horizontal pattern
±45°- polarization



Vertical pattern
±45°- polarization



10872-C
936.2521/b



Mounting Options:

Model	Description
2 x 738 546 (shown)	Mounting Kit for 2 to 4.6 inch (50 to 115 mm) OD mast.
850 10013	Tilt Mount Kit 0–21 degrees downtilt angle.

Order Information:

Model	Description
741 517	Panel antenna with 7-16 DIN connectors

All specifications are subject to change without notice. The latest specifications are available at www.kathrein-scala.com.

Kathrein Inc., Scala Division Post Office Box 4580 Medford, OR 97501 (USA) Phone: (541) 779-6500 Fax: (541) 779-3991
Email: communications@kathrein.com Internet: www.kathrein-scala.com