

The Kathrein 741 516 directional panel antenna with dual polarization is intended for use in professional fixed-station applications in the 380–500 MHz band. It features:

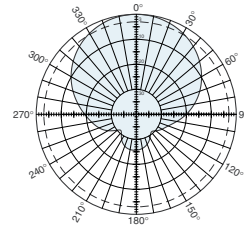
- Heavy-duty stainless steel and aluminum construction throughout.
- Excellent bandwidth and VSWR specifications.
- Cast aluminum dipoles.
- Heavy fiberglass radome assures excellent performance in heavy icing conditions.
- All metal parts at DC ground potential.
- Multiple antennas may be used to meet a variety of radiation patterns.

Specifications:

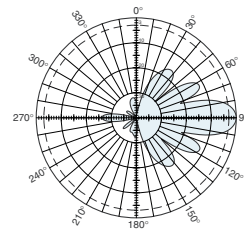
Frequency range	380–500 MHz
Gain	14.5 dBi (380–430 MHz) 15 dBi (430–500 MHz)
Impedance	50 ohms
VSWR	<1.5:1
Intermodulation (2x20w)	IM3: <-150 dBc
Polarization	+45° and -45°
Front to back ratio	> 25 dB (co-polar)
Isolation	> 30 dB
Maximum input power	500 watts (at 50° C)
H-plane beamwidth	± 45° polarization 65 degrees (half-power)
E-plane beamwidth	± 45° polarization 18 degrees (half-power)
Connectors	2 x 7-16 DIN female
Weight	41.9 lb (19 kg)
Dimensions	78.7 x 19.4 x 7.5 inches (2000 x 492 x 190 mm)
Wind load	at 93 mph (150kph)
Front/Side/Rear	248 lbf / 99 lbf / 347 lbf (1100 N) / (440 N) / (1540 N)
Mounting category	H (Heavy)
Wind survival rating*	120 mph (200 kph)
Shipping dimensions	81.9 x 20.6 x 9.9 inches (2080 x 523 x 252 mm)
Shipping weight	56 lb (25.4 kg)
Mounting	See mounting hardware options on reverse.

See reverse for order information.

* Mechanical design is based on environmental conditions as stipulated in TIA-222-G-2 (December 2009) and/or ETS 300 019-1-4 which include the static mechanical load imposed on an antenna by wind at maximum velocity. See the Engineering Section of the catalog for further details.



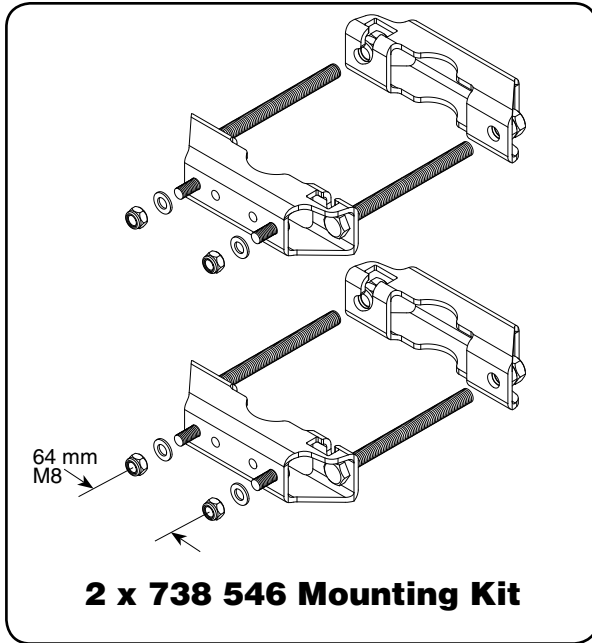
Horizontal pattern
±45°-polarization



Vertical pattern
±45°-polarization

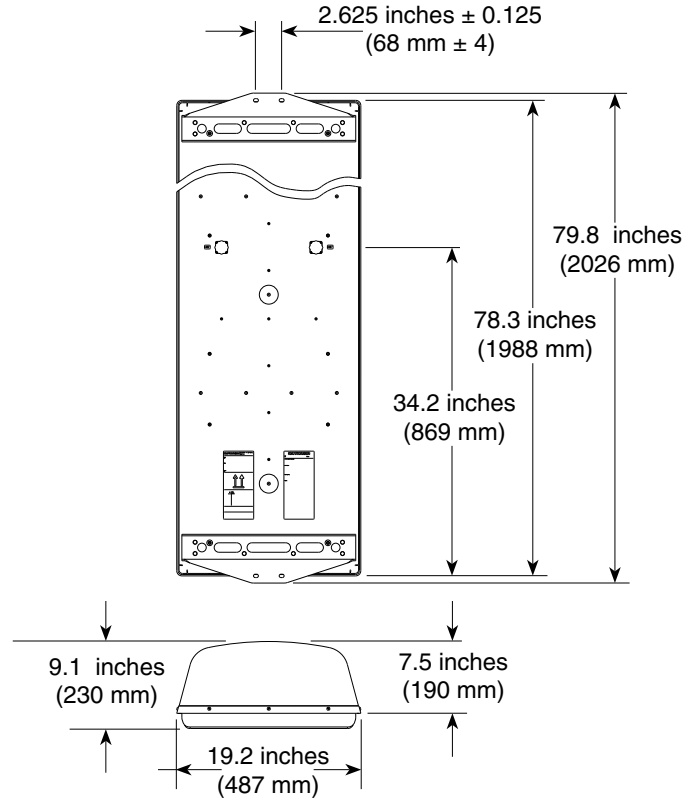


10576-D
936.4115/a



Mounting Options:

Model	Description
2 x 738 546	Mounting Kit for 2 to 4.6 inch (50 to 115 mm) OD mast. 4.4 lb (2 kg)
850 10008	Tilt Mount Kit 0–11 degrees downtilt angle.



Order Information:

Model	Description
741 516	Panel antenna with 7-16 DIN connector

All specifications are subject to change without notice. The latest specifications are available at www.kathrein-scala.com.

Kathrein Inc., Scala Division Post Office Box 4580 Medford, OR 97501 (USA) Phone: (541) 779-6500 Fax: (541) 779-3991
Email: communications@kathrein.com Internet: www.kathrein-scala.com