

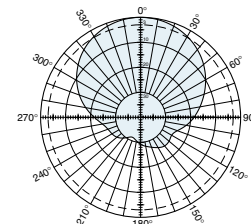
The Kathrein 741 515 directional panel antenna with dual polarization is intended for use in professional fixed-station applications in the 380–500 MHz band. It features:

- Heavy-duty stainless steel and aluminum construction throughout.
- Excellent bandwidth and VSWR specifications.
- Heavy fiberglass radome assures excellent performance in heavy icing conditions.
- All metal parts at DC ground potential.
- Multiple antennas may be used to meet a variety of radiation patterns.

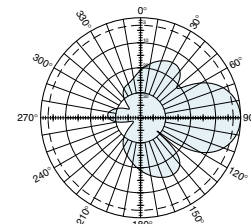
**Specifications:**

Frequency range	380–500 MHz
Gain	380–430 MHz 11.5 dBi 430–500 MHz 12 dBi
Impedance	50 ohms
VSWR	<1.5:1
Intermodulation (2x20w)	IM3: <-150 dBc
Polarization	+45° and -45°
Front to back ratio	> 25 dB (co-polar)
Isolation	> 30 dB
Maximum input power	500 watts (at 50° C) per input
H-plane beamwidth	± 45° polarization 380–430 MHz 68 degrees (half-power) 430–500 MHz 65 degrees (half-power)
E-plane beamwidth	± 45° polarization 380–430 MHz 37 degrees (half-power) 430–500 MHz 32 degrees (half-power)
Connectors	2 x 7-16 DIN female
Weight	26.5 lb (12 kg)
Dimensions	39.1 x 19.4 x 7.5 inches (992 x 492 x 190 mm)
Wind load	at 93 mph (150kph)
Front/Side/Rear	113 lbf / 50 lbf / 161 lbf (500 N) / (220 N) / (715 N)
Mounting category	M Medium)
Wind survival rating*	120 mph (200 kph)
Shipping dimensions	44.9 x 20.6 x 9.9 inches (1140 x 523 x 252 mm)
Shipping weight	34.6 lb (15.7 kg)
Mounting	See mounting hardware options on reverse.

See reverse for order information.



Horizontal pattern  
±45°-polarization

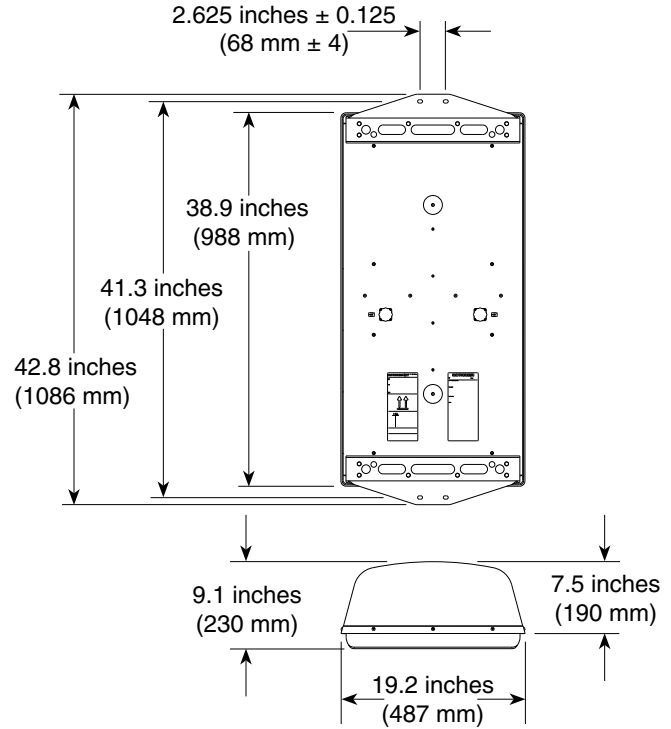
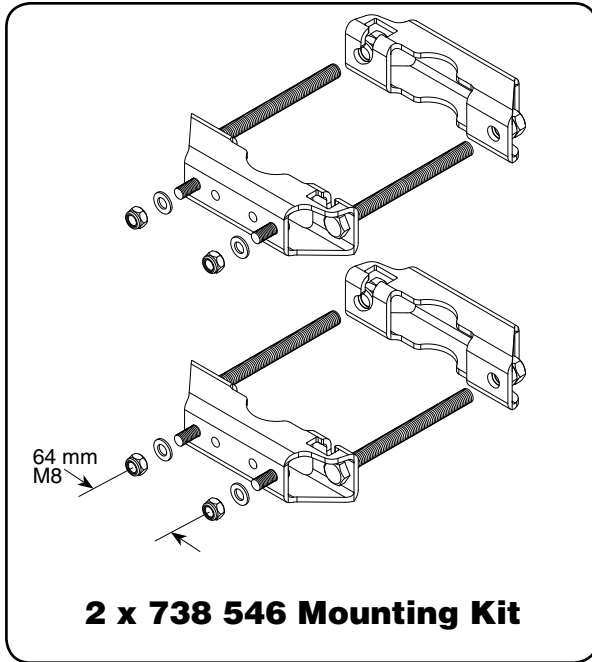


Vertical pattern  
±45°-polarization

\* Mechanical design is based on environmental conditions as stipulated in TIA-222-G-2 (December 2009) and/or ETS 300 019-1-4 which include the static mechanical load imposed on an antenna by wind at maximum velocity. See the Engineering Section of the catalog for further details.



10575-D  
936.4114/a



**Mounting Options:**

Model	Description
2 x 738 546 (shown)	Mounting Kit for 2 to 4.6 inch (50 to 115 mm) OD mast.
2 x 850 10002	Mounting Kit for 4.3 to 8.7 inch (110 to 220 mm) OD mast.
2 x 850 10003	Mounting Kit for 8.3 to 15 inch (210 to 380 mm) OD mast.
850 10013	Tilt Mount Kit 0–20 degrees downtilt angle.

**Order Information:**

Model	Description
741 515	Panel antenna with 7-16 DIN connectors

All specifications are subject to change without notice. The latest specifications are available at [www.kathrein-scala.com](http://www.kathrein-scala.com).