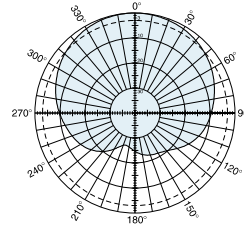
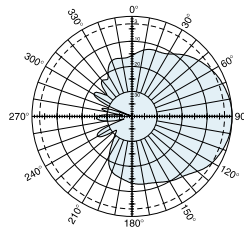


Kathrein X-polarized antennas are designed for use in PCS polarization diversity systems.

- X-polarized (+45° and -45°).
- UV resistant pulltruded radomes.
- Wideband dipole technology.
- DC Grounded metallic parts for impulse suppression.



Horizontal pattern  
±45°- polarization



Vertical pattern  
±45°- polarization



**Specifications:**

Frequency range	1710–1990 MHz
Gain	2 x 8 dBi
Impedance	50 ohms
VSWR	< 1.4:1
Intermodulation (2x20w)	IM3:< -150 dBc
Polarization	+45° and -45°
Front-to-back ratio	>20 dB (copolar)
Maximum input power	200 watts per input (at 50°C)
+45° and -45° polarization horizontal beamwidth	90 degrees (half-power)
+45° and -45° polarization vertical beamwidth	55 degrees (half-power)
Connector	2 x 7-16 DIN female
Isolation	>30 dB
Weight	3.5 lb (1.6 kg)
Dimensions	6.9 x 6.1 x 2.7 inches (174 x 155 x 69 mm)
Wind load	at 93 mph (150kph)
Front/Side/Rear	13 lbf / 3 lbf / 14 lbf (55 N) / (13 N) / (60 N)
Wind survival rating*	120 mph (200 kph)
Shipping dimensions	11.2 x 6.8 x 3.6 inches (284 x 172 x 92 mm)
Shipping weight	4.4 lb (2 kg)
Mounting	Mounting options are available for 1.2 to 5.3 inch (30 to 135 mm) OD masts.

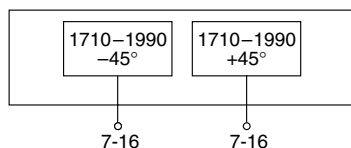
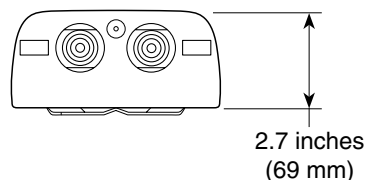
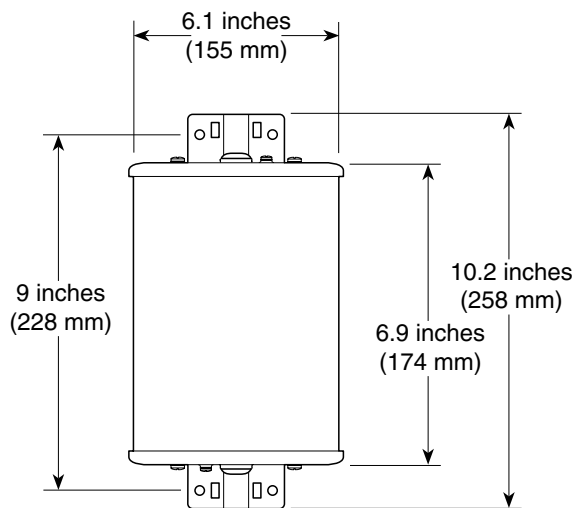
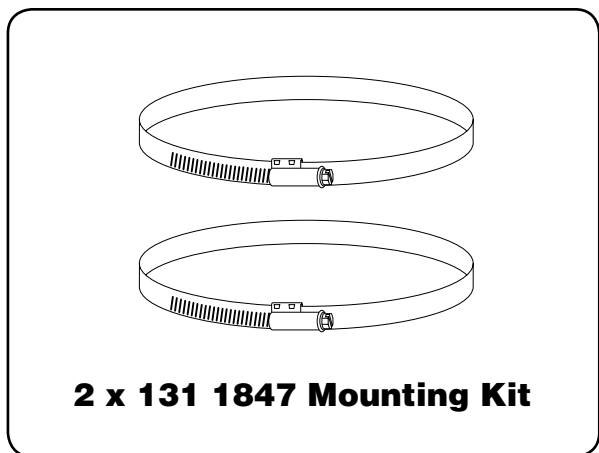
See reverse for order information.

\* Mechanical design is based on environmental conditions as stipulated in TIA-222-G-2 (December 2009) and/or ETS 300 019-1-4 which include the static mechanical load imposed on an antenna by wind at maximum velocity. See the Engineering Section of the catalog for further details.



10528-E  
936.1574/e





**Mounting Options:**

Model	Description
2 x 131 1847	Mounting Kit for 2 to 5.7 inch (50 to 145 mm) OD mast.
742 263	Three-panel Sector Mounting Kit (120 deg. ea.) for 3.5 inch (89 mm) OD mast.

**Order Information:**

Model	Description
739 695	Antenna with 2 x 7-16 DIN connectors

All specifications are subject to change without notice. The latest specifications are available at [www.kathrein-scala.com](http://www.kathrein-scala.com).

Kathrein Inc., Scala Division Post Office Box 4580 Medford, OR 97501 (USA) Phone: (541) 779-6500 Fax: (541) 779-3991  
Email: [communications@kathrein.com](mailto:communications@kathrein.com) Internet: [www.kathrein-scala.com](http://www.kathrein-scala.com)