

Kathrein's X-polarized antennas are designed for use in digital polarization diversity systems.

- X-polarized (+45° and -45°).
- UV resistant pulltruded radomes.
- Wideband vector dipole technology.
- DC Grounded metallic parts for impulse suppression.

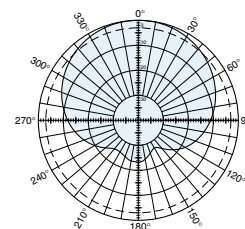
Specifications:

Frequency range	806–960 MHz
Impedance	50 ohms
Intermodulation (2x20w)	IM3: <-150dBc
Front-to-back ratio	>25 dB (co-polar)
Maximum input power	500 watts (at 50°C) per input
Polarization	+45° and -45°
Connector	2 x 7-16 DIN female
Isolation	>30 dB
Weight	18.3 lb (8.3 kg)
Dimensions	51 x 10.3 x 4.6 inches (1296 x 262 x 116 mm)
Equivalent flat plate area	4.81 ft ² (0.447 m ²)
Wind survival rating	120 mph (200 kph)
Shipping dimensions	56.1 x 11.9 x 6.8 inches (1425 x 302 x 172 mm)
Shipping weight	22 lb (10 kg)
Mounting	Fixed mount options are available for 2 to 4.6 inch (50 to 115 mm) OD masts.

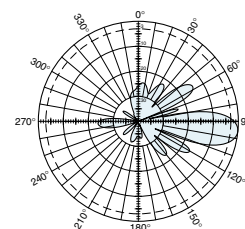
See reverse for order information.

* Mechanical design is based on environmental conditions as stipulated in EIA-222-F (June 1996) and/or ETS 300 019-1-4 which include the static mechanical load imposed on an antenna by wind at maximum velocity. See the Engineering Section of the catalog for further details.

Specifications:	806–866 MHz	824–894 MHz	880–960 MHz
Gain	13.3 dBi	13.5 dBi	13.7 dBi
VSWR	< 1.5:1	< 1.5:1	< 1.3:1
Front-to-back ratio	>25 dB (co-polar)	>25 dB (co-polar)	>25 dB (co-polar)
+45° and -45° polarization horizontal beamwidth	85° (half-power)	85° (half-power)	88° (half-power)
+45° and -45° polarization vertical beamwidth	17° (half-power)	16.5° (half-power)	15.5° (half-power)
Electrical downtilt	6°	6°	6°
Sidelobe suppression for sector 0°–30° above horizon	16 dB	16 dB	16 dB
Cross polar ratio			
Main direction 0°	>18 dB	>20 dB	>20 dB
Sector ±60°	>14 dB	>14 dB	>14 dB



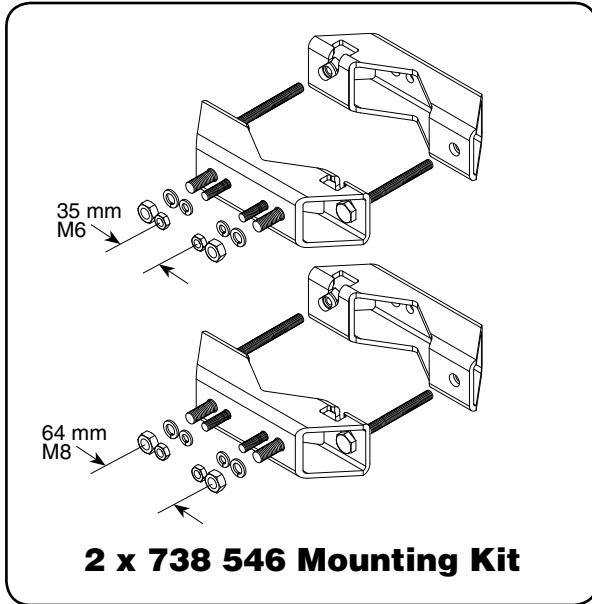
Horizontal pattern
±45°- polarization



Vertical pattern
±45°- polarization
6° electrical downtilt

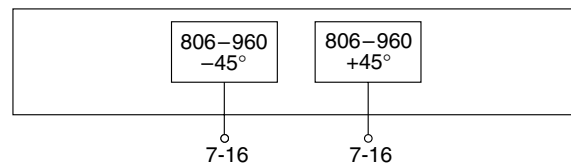
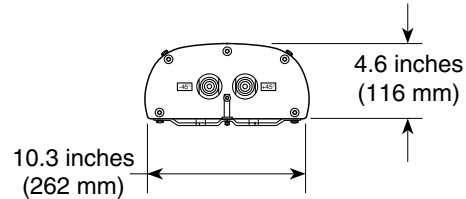
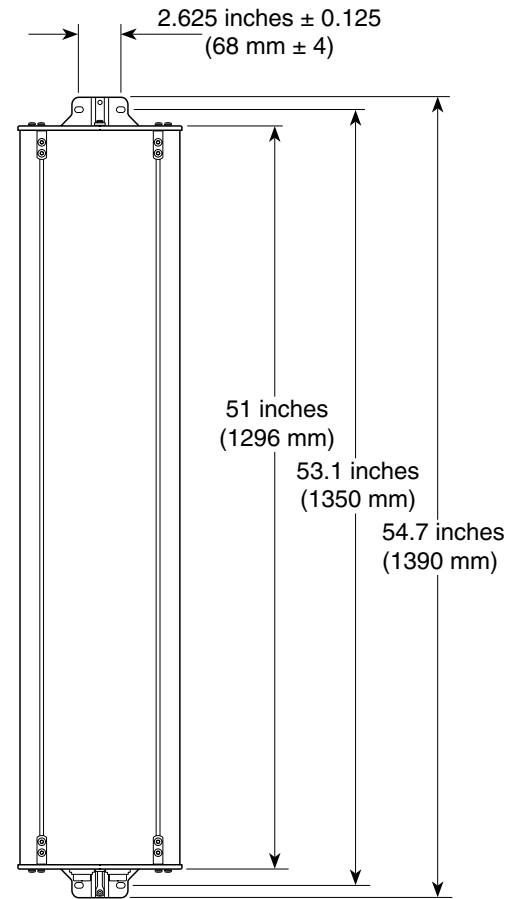


10985-A
936.2320/c



Mounting Options:

Model	Description
2 x 738 546	Mounting Kit for 2 to 4.6 inch (50 to 115 mm) OD mast.
742 033	Three-panel Sector Mounting Kit (120 deg. ea.) for 4.5 inch (114.3 mm) OD mast.
742 034	Three-panel Sector Mounting Kit (120 deg. ea.) for 5.5 inch (139.7 mm) OD mast.
850 10013	Tilt Mount Kit 0–15 degrees downtilt angle.



Profile PA1

Order Information:

Model	Description
739 658	Antenna with 7-16 DIN connectors 6° electrical downtilt

All specifications are subject to change without notice. The latest specifications are available at www.kathrein-scala.com.

Kathrein Inc., Scala Division Post Office Box 4580 Medford, OR 97501 (USA) Phone: (541) 779-6500 Fax: (541) 779-3991
Email: communications@kathrein.com Internet: www.kathrein-scala.com