

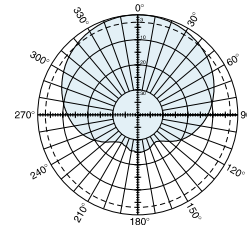
Kathrein's X-polarized antennas are designed for use in digital polarization diversity systems.

- X-polarized (+45° and -45°).
- UV resistant pulltruded radomes.
- Wideband vector dipole technology.
- DC Grounded metallic parts for impulse suppression.

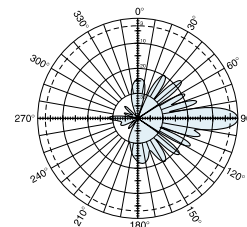
Specifications:

| | |
|---|--|
| Frequency range | 806–960 MHz |
| Gain | 2 x 15 dBi (806–894 MHz) 2 x 15.5 dBi (880–960 MHz) |
| Impedance | 50 ohms |
| VSWR | < 1.5:1 |
| Intermodulation (2x20w) | IM3: <-150dBc |
| Front-to-back ratio | >25 dB (co-polar) |
| Maximum input power | 600 watts (at 50°C) per input |
| Polarization | +45° and -45° |
| ±45° polarization horizontal beamwidth | 85 degrees (half-power) (806–894 MHz) 88 degrees (half-power) (880–960 MHz) |
| ±45° polarization vertical beamwidth | 10.5 degrees (half-power) (806–894 MHz) 10 degrees (half-power) (880–960 MHz) |
| Sidelobe suppression for first sidelobe above horizon | ≥ 18 dB |
| Connector | 2 x 7-16 DIN female |
| Isolation | >30 dB |
| Weight | 37.7 lb (17.1 kg) |
| Dimensions | 76.3 x 10.3 x 4.6 inches (1936 x 262 x 116 mm) |
| Equivalent flat plate area | 7.41 ft ² (0.688 m ²) |
| Wind survival rating | 120 mph (200 kph) |
| Shipping dimensions | 81.1 x 11.9 x 6.8 inches (2060 x 302 x 172 mm) |
| Shipping weight | 44.7 lb (20.3 kg) |
| Mounting | Fixed mount options are available for 2 to 4.6 inch (50 to 115 mm) OD masts. |

See reverse for order information.



Horizontal pattern
±45°- polarization



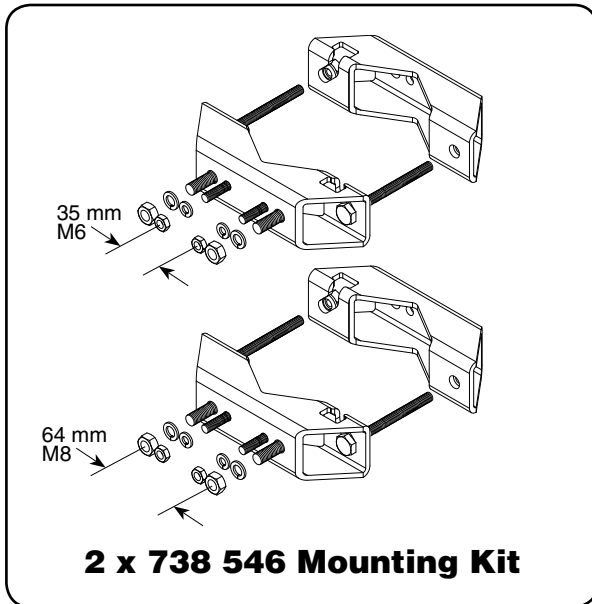
Vertical pattern
±45°- polarization



* Mechanical design is based on environmental conditions as stipulated in EIA-222-F (June 1996) and/or ETS 300 019-1-4 which include the static mechanical load imposed on an antenna by wind at maximum velocity. See the Engineering Section of the catalog for further details.

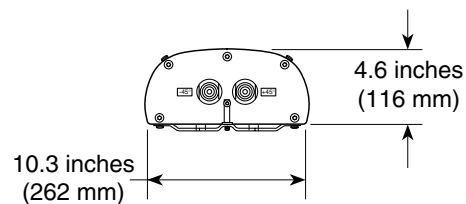
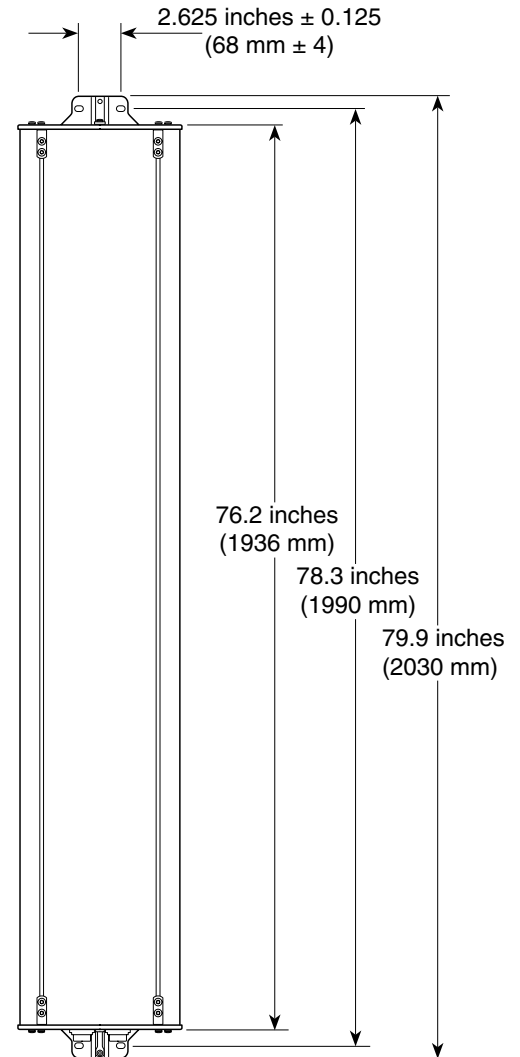


10305-G
936.2321/b

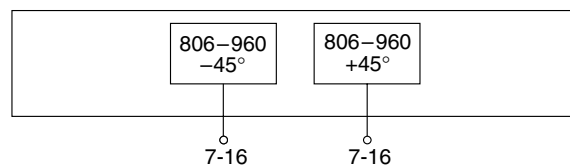


Mounting Options:

| Model | Description |
|-------------|---|
| 2 x 738 546 | Mounting Kit for 2 to 4.6 inch (50 to 115 mm) OD mast. |
| 742 033 | Three-panel Sector Mounting Kit (120 deg. ea.) for 4.5 inch (114.3 mm) OD mast. |
| 742 034 | Three-panel Sector Mounting Kit (120 deg. ea.) for 5.5 inch (139.7 mm) OD mast. |
| 850 10013 | Tilt Mount Kit 0–11 degrees downtilt angle. |



Profile PA1



Order Information:

| Model | Description |
|---------|---|
| 730 649 | Antenna with 7-16 DIN connectors 0° electrical downtilt |

All specifications are subject to change without notice. The latest specifications are available at www.kathrein-scala.com.