

Kathrein's X-polarized antennas are designed for use in digital polarization diversity systems.

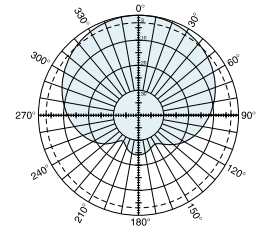
- X-polarized (+45° and -45°).
- UV resistant pulltruded radomes.
- Wideband vector dipole technology.
- DC Grounded metallic parts for impulse suppression.

Specifications:

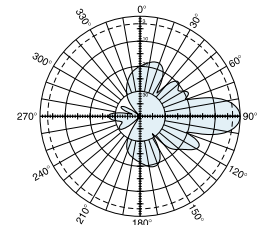
Frequency range	806–960 MHz
Gain	2 x 13 dBi (806–894 MHz) 2 x 13.5 dBi (880–960 MHz)
Impedance	50 ohms
VSWR	< 1.5:1
Intermodulation (2x20w)	IM3: <-150dBc
Front-to-back ratio	>25 dB (co-polar)
Maximum input power	600 watts (at 50°C) per input
Polarization	+45° and -45°
±45° polarization horizontal beamwidth	85 degrees (half-power) (806–894 MHz) 88 degrees (half-power) (880–960 MHz)
±45° polarization vertical beamwidth	16 degrees (half-power) (806–894 MHz) 15 degrees (half-power) (880–960 MHz)
Sidelobe suppression for first sidelobe above horizon	≥ 16 dB
Connector	2 x 7-16 DIN female
Isolation	>30 dB
Weight	18.3 lb (8.3 kg)
Dimensions	51 x 10.3 x 4.6 inches (1296 x 262 x 116 mm)
Equivalent flat plate area	4.81 ft ² (0.447 m ²)
Wind survival rating	120 mph (200 kph)
Shipping dimensions	56.1 x 11.9 x 6.8 inches (1425 x 302 x 172 mm)
Shipping weight	22 lb (10 kg)
Mounting	Fixed mount options are available for 2 to 4.6 inch (50 to 115 mm) OD masts.

See reverse for order information.

* Mechanical design is based on environmental conditions as stipulated in EIA-222-F (June 1996) and/or ETS 300 019-1-4 which include the static mechanical load imposed on an antenna by wind at maximum velocity. See the Engineering Section of the catalog for further details.



Horizontal pattern
±45°- polarization

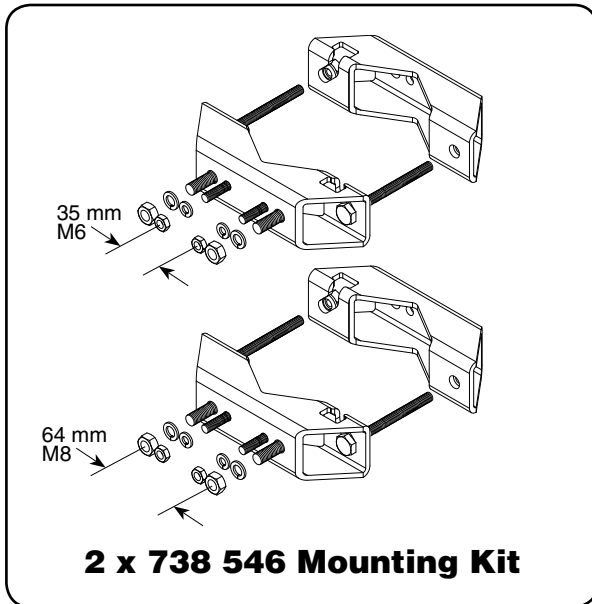


Vertical pattern
±45°- polarization



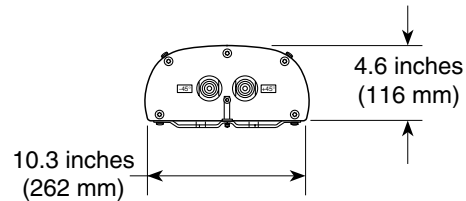
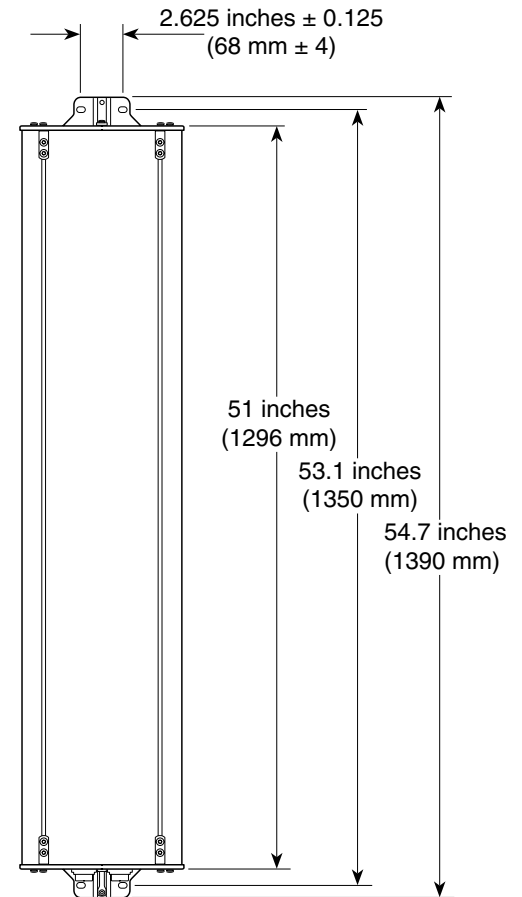
10304-G
936.2318/a



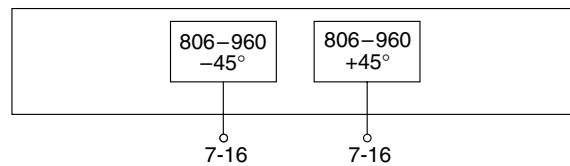


Mounting Options:

Model	Description
2 x 738 546	Mounting Kit for 2 to 4.6 inch (50 to 115 mm) OD mast.
742 033	Three-panel Sector Mounting Kit (120 deg. ea.) for 4.5 inch (114.3 mm) OD mast.
742 034	Three-panel Sector Mounting Kit (120 deg. ea.) for 5.5 inch (139.7 mm) OD mast.
850 10013	Tilt Mount Kit 0–15 degrees downtilt angle.



Profile PA1



Order Information:

Model	Description
739 648	Antenna with 7-16 DIN connectors 0° electrical downtilt

All specifications are subject to change without notice. The latest specifications are available at www.kathrein-scala.com.

Kathrein Inc., Scala Division Post Office Box 4580 Medford, OR 97501 (USA) Phone: (541) 779-6500 Fax: (541) 779-3991
Email: communications@kathrein.com Internet: www.kathrein-scala.com