

Kathrein's X-polarized antennas are designed for use in digital polarization diversity systems.

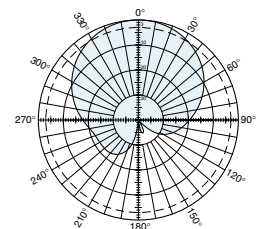
- X-polarized (+45° and -45°).
- UV resistant pulltruded radomes.
- Wideband vector dipole technology.
- DC Grounded metallic parts for impulse suppression.

Specifications:

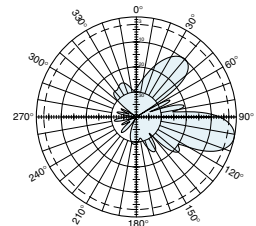
Frequency range	806–960 MHz	
Gain	806–880 MHz 2 x 14.5 dBi	880–960 MHz 2 x 15 dBi
Impedance	50 ohms	
VSWR	< 1.5:1	< 1.3:1
Intermodulation (2x20w)	IM3: <-150dBc	
Polarization	+45° and -45°	
Front-to-back ratio	>28 dB (co-polar)	>30 dB (co-polar)
Maximum input power	600 watts per input (at 50°C)	
±45° polarization horizontal beamwidth	68 degrees (half-power)	65 degrees (half-power)
±45° polarization vertical beamwidth	17 degrees (half-power)	16 degrees (half-power)
Electrical downtilt	12°	12°
Sidelobe suppression for first sidelobe above horizon	≥ 14 dB	≥ 16 dB
Connector	2 x 7-16 DIN female	
Isolation	>30 dB	>30 dB
Weight	17.6 lb (8 kg)	
Dimensions	51 x 10.3 x 4.6 inches (1296 x 262 x 116 mm)	
Wind load	at 93 mph (150kph)	
Front/Side/Rear	52 lbf / 30 lbf / 113 lbf (230 N) / (130 N) / (500 N)	
Wind survival rating*	120 mph (200 kph)	
Shipping dimensions	60 x 11.3 x 6.5 inches (1422 x 287 x 165 mm)	
Shipping weight	22 lb (10 kg)	
Mounting	Fixed mount options are available for 2 to 4.6 inch (50 to 115 mm) OD masts.	

See reverse for order information.

* Mechanical design is based on environmental conditions as stipulated in TIA-222-G-2 (December 2009) and/or ETS 300 019-1-4 which include the static mechanical load imposed on an antenna by wind at maximum velocity. See the Engineering Section of the catalog for further details.

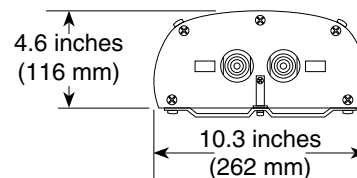
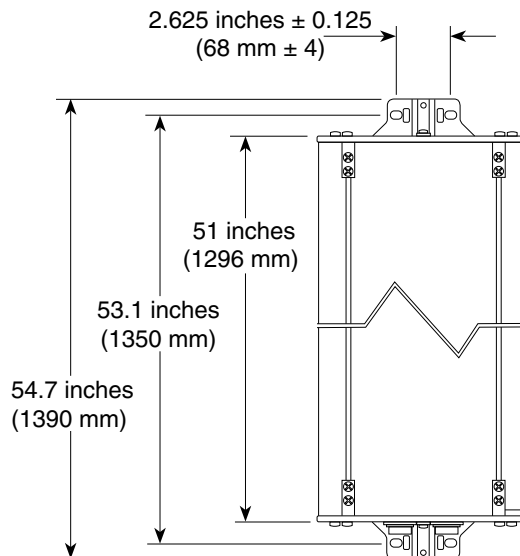
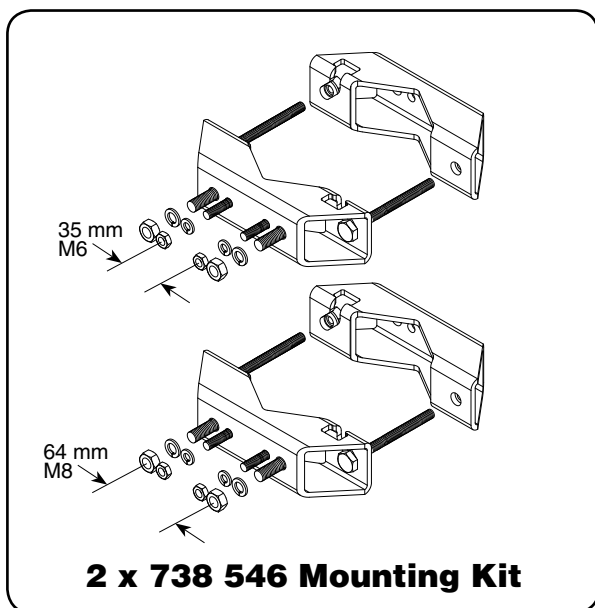


Horizontal pattern
±45°- polarization



Vertical pattern
±45°- polarization
12° electrical downtilt





Profile PA1

Mounting Options:

Model	Description
2 x 738 546	Mounting Kit for 2 to 4.6 inch (50 to 115 mm) OD mast.
850 10013	Tilt Mount Kit 0–15 degrees downtilt angle.

Order Information:

Model	Description
739 633	Antenna with 7-16 DIN connectors 12° electrical downtilt

All specifications are subject to change without notice. The latest specifications are available at www.kathrein-scala.com.