

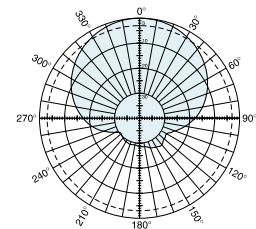
Kathrein's X-polarized antennas are designed for use in digital polarization diversity systems.

- X-polarized (+45° and -45°).
- UV resistant pulltruded radomes.
- Wideband vector dipole technology.
- DC Grounded metallic parts for impulse suppression.

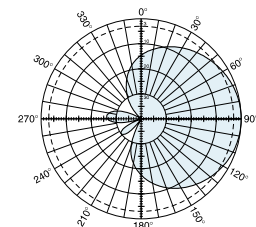


**Specifications:**

Frequency range	806–960 MHz	
Gain	2 x 8.5 dBi (806–880 MHz) 2 x 9 dBi (880–960 MHz)	
Impedance	50 ohms	
VSWR	< 1.5:1	
Intermodulation (2x20w)	IM3: <-150dBc	
Polarization	+45° and -45°	
Front-to-back ratio	>27 dB (co-polar)	
Maximum input power	350 watts (at 50°C) per input	
±45° polarization horizontal beamwidth	70 degrees (half-power) (806–880 MHz) 65 degrees (half-power) (880–960 MHz)	
±45° polarization vertical beamwidth	70 degrees (half-power) (806–880 MHz) 68 degrees (half-power) (880–960 MHz)	
Connector	2 x 7-16 DIN female	
Isolation	>30 dB	
Cross polar ratio		
Main direction	0°	25 dB (typical)
Sector	±60°	≥10 dB
Weight	6.6 lb (3 kg)	
Dimensions	10.1 x 10.3 x 4.6 inches (256 x 262 x 116 mm)	
Wind load	at 93 mph (150kph)	
Front/Side/Rear	9 lbf / 6 lbf / 21 lbf (40 N) / (25 N) / (90 N)	
Wind survival rating*	120 mph (200 kph)	
Shipping dimensions	14.8 x 11.3 x 6.5 inches (377 x 287 x 165 mm)	
Shipping weight	9.9 lb (4.5 kg)	
Mounting	Fixed mount options are available for 2 to 4.6 inch (50 to 115 mm) OD masts.	
<i>See reverse for order information.</i>		



Horizontal pattern  
±45°- polarization



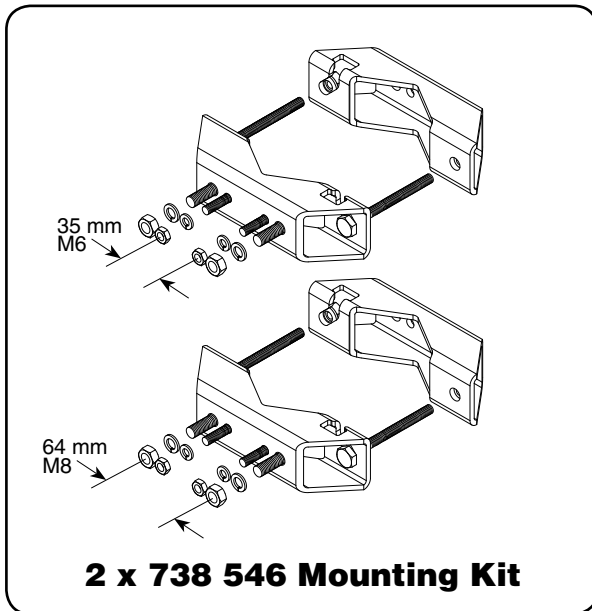
Vertical pattern  
±45°- polarization

\* Mechanical design is based on environmental conditions as stipulated in TIA-222-G-2 (December 2009) and/or ETS 300 019-1-4 which include the static mechanical load imposed on an antenna by wind at maximum velocity. See the Engineering Section of the catalog for further details.



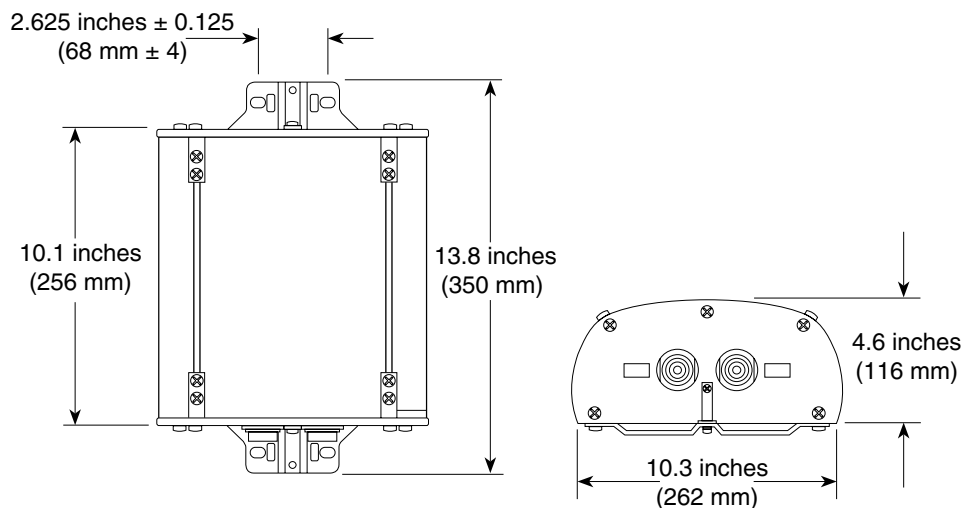
10534-E  
936.1408/g





**Mounting Options:**

Model	Description
2 x 738 546	Mounting Kit for 2 to 4.6 inch (50 to 115 mm) OD mast.
742 033	Three-panel Sector Mounting Kit (120 deg. ea.) for 4.5 inch (114.3 mm) OD mast.
742 034	Three-panel Sector Mounting Kit (120 deg. ea.) for 5.5 inch (139.7 mm) OD mast.



Profile PA1

**Order Information:**

Model	Description
739 619	Antenna with 7-16 DIN connectors 0° electrical downtilt

All specifications are subject to change without notice. The latest specifications are available at [www.kathrein-scala.com](http://www.kathrein-scala.com).

Kathrein Inc., Scala Division Post Office Box 4580 Medford, OR 97501 (USA) Phone: (541) 779-6500 Fax: (541) 779-3991  
Email: [communications@kathrein.com](mailto:communications@kathrein.com) Internet: [www.kathrein-scala.com](http://www.kathrein-scala.com)