

The Kathrein 739 506 directional panel antenna is intended for use in professional fixed-station applications in the 380–430 MHz band. It features:

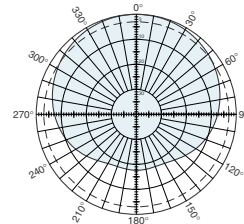
- Heavy-duty stainless steel and aluminum construction throughout.
- Excellent bandwidth and VSWR specifications.  
Silver plated copper radiators.
- Heavy fiberglass radome assures excellent performance in heavy icing conditions.
- All metal parts at DC ground potential.
- Multiple antennas may be used to meet a variety of radiation patterns.

**Specifications:**

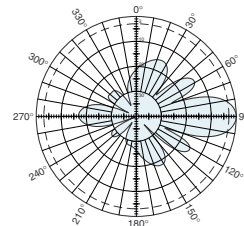
Frequency range	380–430 MHz
Gain	11.5 dBi
Impedance	50 ohms
Intermodulation (2x20w)	IM3: <-150 dBc
VSWR	<1.5:1
Polarization	Vertical
Front-to-back ratio	>18 dB
Maximum input power	500 watts (at 50° C)
H-plane beamwidth	115 degrees (half-power)
E-plane beamwidth	18 degrees (half-power)
Connector	7-16 DIN female
Weight	19.8 lb (9 kg)
Dimensions	76.1 x 10.2 x 4.1 inches (1934 x 258 x 103 mm)
Wind load	at 93 mph (150kph)
Front/Side/Rear	77 lbf / 50 lbf / 169 lbf (340 N) / (220 N) / (750 N)
Wind survival rating*	120 mph (200 kph)
Shipping dimensions	81.2 x 10.7 x 6.3 inches (2062 x 272 x 160 mm)
Mounting	Fixed and tilt-mount options are available for 2 to 4.6 inch (50 to 115 mm) OD masts.

See reverse for order information.

\* Mechanical design is based on environmental conditions as stipulated in TIA-222-G-2 (December 2009) and/or ETS 300 019-1-4 which include the static mechanical load imposed on an antenna by wind at maximum velocity. See the Engineering Section of the catalog for further details.



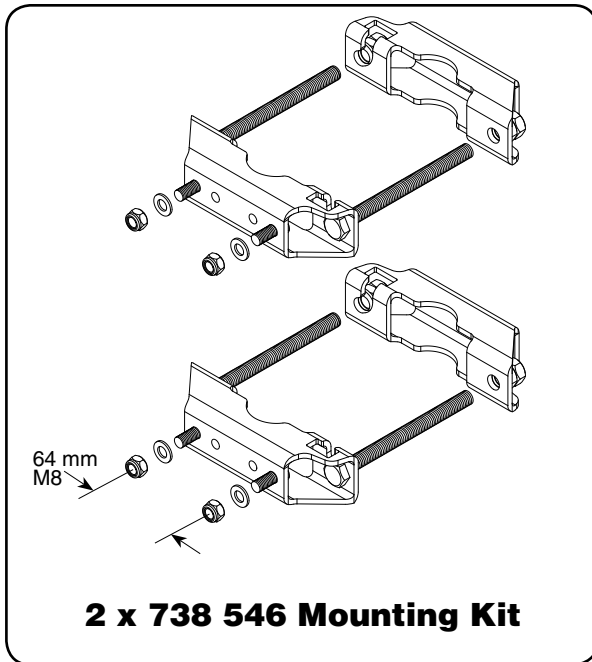
H-plane  
Horizontal pattern – V-polarization



E-plane  
Vertical pattern – V-polarization

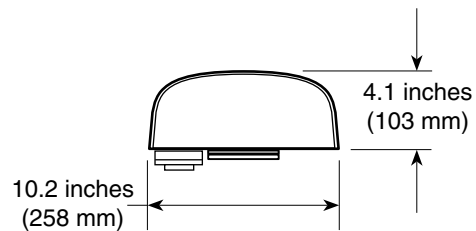
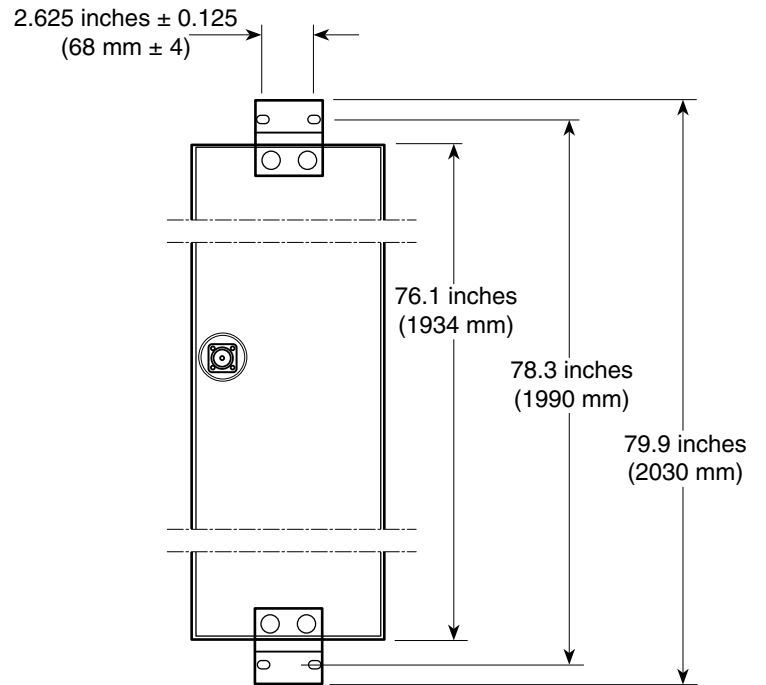


10868-C  
936.1366/c



**Mounting Options:**

Model	Description
2 x 738 546	Mounting Kit for 2 to 4.6 inch (50 to 115 mm) OD mast.
850 10013	Tilt Mount Kit 0–11 degrees downtilt angle.



**Order Information:**

Model	Description
739 506	Panel antenna with 7-16 DIN connector

All specifications are subject to change without notice. The latest specifications are available at [www.kathrein-scala.com](http://www.kathrein-scala.com).