

The Kathrein 739 504 directional panel antenna is intended for use in professional fixed-station applications in the 380–430 MHz band. It features:

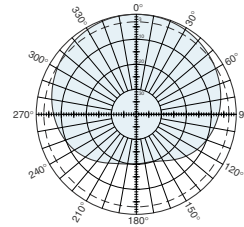
- Heavy-duty stainless steel and aluminum construction throughout.
- Excellent bandwidth and VSWR specifications.
- Silver plated copper radiators.
- Heavy fiberglass radome assures excellent performance in heavy icing conditions.
- All metal parts at DC ground potential.
- Multiple antennas may be used to meet a variety of radiation patterns.

**Specifications:**

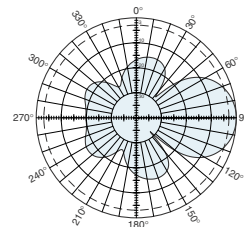
|                            |   |
|----------------------------|---|
| Frequency range            | 380–430 MHz   |
| Gain                       | 8.5 dBi   |
| Impedance                  | 50 ohms   |
| Intermodulation (2x20w)    | IM3: <-150 dBc  |
| VSWR                       | <1.5:1  |
| Polarization               | Vertical  |
| Front-to-back ratio        | >18 dB  |
| Maximum input power        | 500 watts (at 50° C)  |
| H-plane beamwidth          | 115 degrees (half-power)  |
| E-plane beamwidth          | 38 degrees (half-power)   |
| Connector                  | 7-16 DIN female   |
| Weight                     | 9.9 lb (4.5 kg)   |
| Dimensions                 | 38.3 x 10.2 x 4.1 inches<br>(974 x 258 x 103 mm)                                      |
| Equivalent flat plate area | 3.46 ft <sup>2</sup> (0.321 m <sup>2</sup> )  |
| Wind survival rating*      | 120 mph (200 kph)   |
| Shipping dimensions        | 43.4 x 10.7 x 6.3 inches<br>(1102 x 272 x 160 mm)                                     |
| Mounting                   | Fixed and tilt-mount options are available for 2 to 4.6 inch (50 to 115 mm) OD masts. |

*See reverse for order information.*

\* Mechanical design is based on environmental conditions as stipulated in EIA-222-F (June 1996) and/or ETS 300 019-1-4 which include the static mechanical load imposed on an antenna by wind at maximum velocity. See the Engineering Section of the catalog for further details.



H-plane  
Horizontal pattern – V-polarization

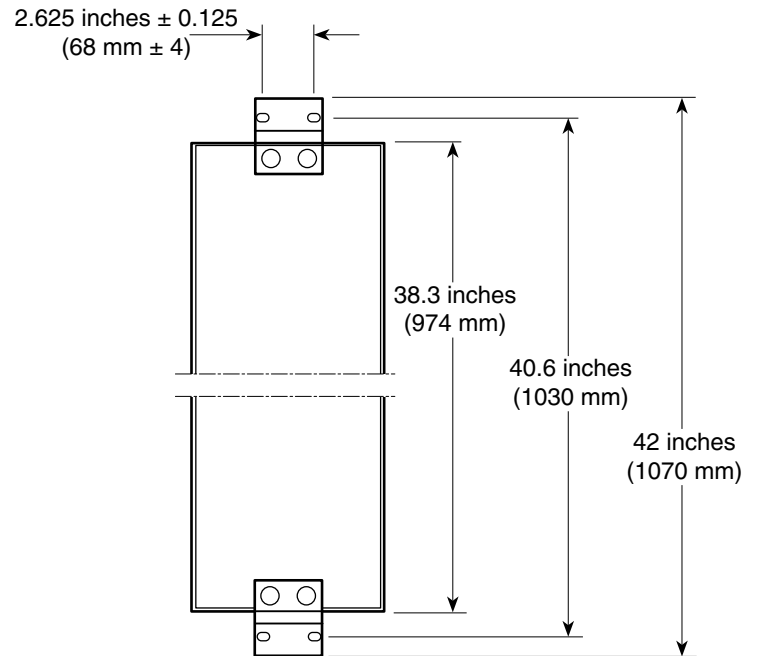
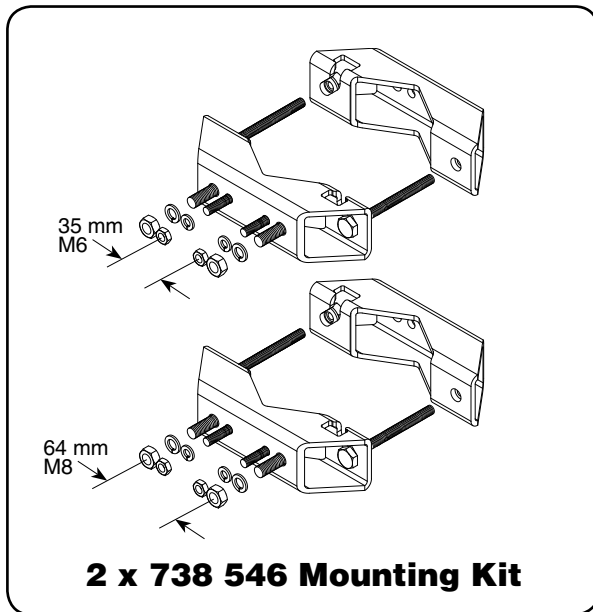


E-plane  
Vertical pattern – V-polarization



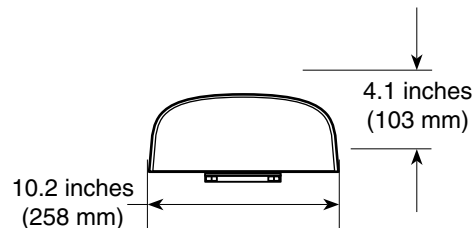
10579-C  
936.1492/b





**Mounting Options:**

| Model       | Description  |
|-------------|--|
| 2 x 738 546 | Mounting Kit for 2 to 4.6 inch (50 to 115 mm) OD mast. |
| 737 978     | Tilt Mount Kit<br>0–21 degrees downtilt angle.         |



**Order Information:**

| Model   | Description                           |
|---------|---------------------------------------|
| 739 504 | Panel antenna with 7-16 DIN connector |

All specifications are subject to change without notice. The latest specifications are available at [www.kathrein-scala.com](http://www.kathrein-scala.com).