

Kathrein X-polarized antennas are designed for use in PCS polarization diversity systems.

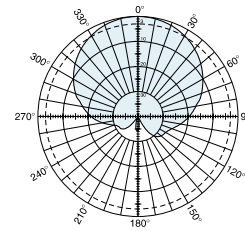
- X-polarized (+45° and -45°).
- UV resistant pulltruded radomes.
- Wideband dipole technology.
- DC Grounded metallic parts for impulse suppression.
- Downtilt options.

**Specifications:**

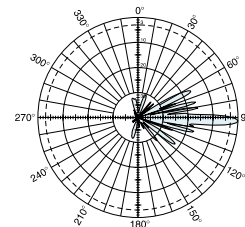
Frequency range	1710–1990 MHz
Gain	2 x 19.5 dBi (1880 - 1990 MHz) 2 x 19 dBi (1710 - 1880 MHz)
Impedance	50 ohms
VSWR	< 1.5:1
Intermodulation (2x20w)	IM3:< -150 dBc
Polarization	+45° and -45°
Front-to-back ratio	>30 dB (copolar)
Maximum input power	200 watts per input (at 50°C)
±45° polarization horizontal beamwidth	65 degrees (half-power)
±45° polarization vertical beamwidth	5 degrees (half-power)
Electrical downtilt	2 degrees
Connector	2 x 7/16 DIN female
Isolation	>30 dB
Sidelobe suppression for first sidelobe above horizon	≥14 dB
Weight	18.75 lb (8.5 kg)
Dimensions	76.5 x 6.1 x 2.25 inches (1942 x 155 x 57 mm)
Equivalent flat plate area	4.6 ft <sup>2</sup> (0.427 m <sup>2</sup> )
Wind survival rating*	120 mph (200 kph)
Shipping dimensions	80.5 x 6.8 x 2.8 inches (2044 x 172 x 72 mm)
Shipping weight	20.2 lb (10 kg)
Mounting	Fixed and tilt-mount options are available for 2 to 4.6 inch (50 to 115 mm) OD masts.

See reverse for order information.

\* Mechanical design is based on environmental conditions as stipulated in EIA-222-F (June 1996) and/or ETS 300 019-1-4 which include the static mechanical load imposed on an antenna by wind at maximum velocity. See the Engineering Section of the catalog for further details.



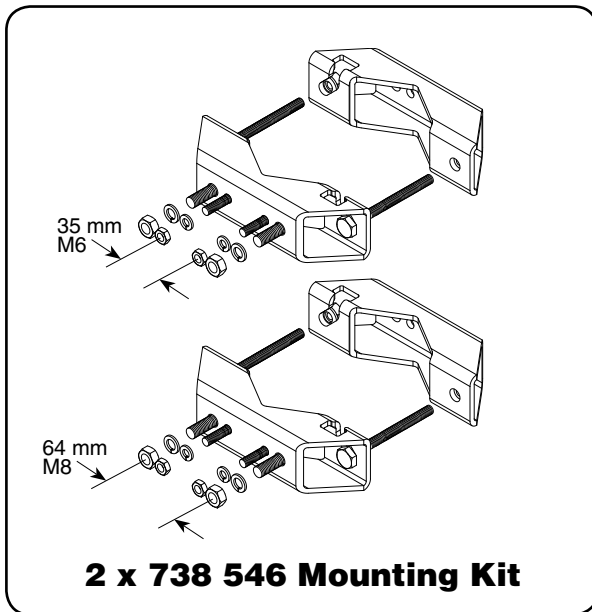
Horizontal pattern  
±45°- polarization



Vertical pattern  
±45°- polarization

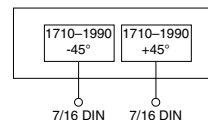
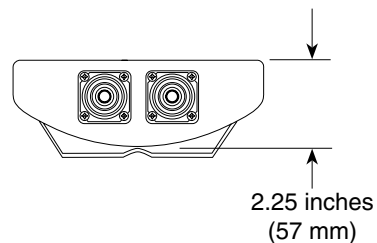
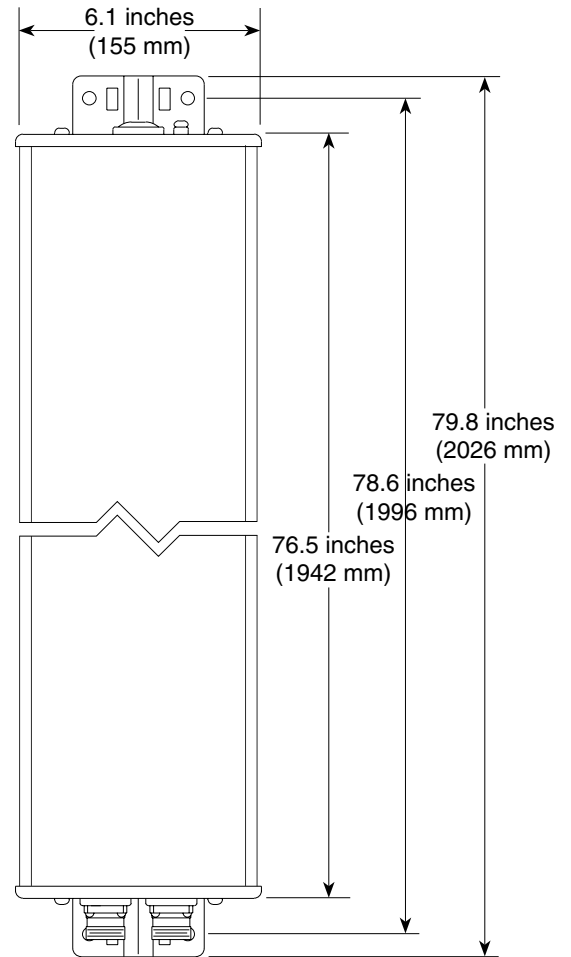


10568-C  
936.1653/d



**Mounting Options:**

Model	Description
2 x 738 546	Mounting Kit for 2 to 4.6 inch (50 to 115 mm) OD mast.
850 10013	Tilt Mount Kit 0–7 degrees downtilt angle.
742 263	Three-panel Sector Mounting Kit (120 deg. ea.) for 3.5 inch (89 mm) OD mast.



**Order Information:**

Model	Description
739 498	Antenna with 2 x 7/16 DIN connectors 2° electrical downtilt

All specifications are subject to change without notice. The latest specifications are available at [www.kathrein-scala.com](http://www.kathrein-scala.com).

Kathrein Inc., Scala Division Post Office Box 4580 Medford, OR 97501 (USA) Phone: (541) 779-6500 Fax: (541) 779-3991  
Email: [communications@kathrein.com](mailto:communications@kathrein.com) Internet: [www.kathrein-scala.com](http://www.kathrein-scala.com)