

Kathrein wideband X-polarized antennas are designed for use in PCS and 3G/UMTS polarization diversity systems.

- X-polarized (+45° and -45°).
- UV resistant pulltruded radomes.
- Wideband vector dipole technology.
- DC Grounded metallic parts for impulse suppression.

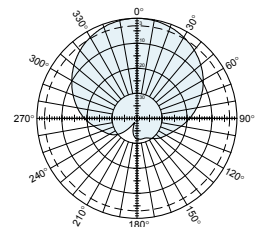
General specifications:

Frequency range	1710–2170 MHz
VSWR	<1.4:1
Impedance	50 ohms
Intermodulation (2x20w)	IM3: <-150 dBc
Polarization	+45° and -45°
Connector	2 x 7-16 DIN female
Isolation	>30 dB
Maximum input power	150 watts (at 50°C) per input
Tracking	0.5 dB
Squint	±1.5°
Weight	4.9 lb (2.2 kg)
Dimensions	13.5 x 6.1 x 2.7 inches (342 x 155 x 69 mm)
Wind load	at 93 mph (150kph)
Front/Side/Rear	21 lbf / 7 lbf / 24 lbf (90 N) / (27 N) / (105 N)
Mounting category	L (Light)
Wind survival rating*	120 mph (200 kph)
Shipping dimensions	17.5 x 6.8 x 3.6 inches (444 x 172 x 92 mm)
Shipping weight	7.1 lb (3.2 kg)
Mounting	Band clamps for 1.8 to 4.9 inch (45 to 115 mm) OD masts are included. Fixed and tilt mount options are available for 2 to 4.6 inch (50 to 115 mm) OD masts.

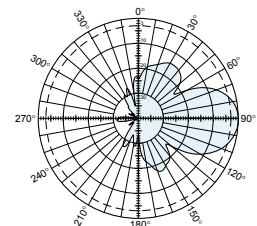
See reverse for order information.

Specifications:	1710–1880 MHz	1850–1990 MHz	1920–2170 MHz
Gain	11.5 dBi	12 dBi	12 dBi
+45° and -45° polarization horizontal beamwidth	67° (half-power)	65° (half-power)	63° (half-power)
+45° and -45° polarization vertical beamwidth	32° (half-power)	30° (half-power)	28° (half-power)
Electrical downtilt	3°	2°	0°
Front-to-back ratio	>30 dB (co-polar)	>30 dB (co-polar)	>27 dB (co-polar)
Cross polar ratio			
Main direction 0°	25 dB (typical)	25 dB (typical)	25 dB (typical)
Sector ±60°	>10 dB	>10 dB	>10 dB

*Mechanical design is based on environmental conditions as stipulated in TIA-222-G-2 (December 2009) and/or ETS 300 019-1-4 which include the static mechanical load imposed on an antenna by wind at maximum velocity. See the Engineering Section of the catalog for further details.



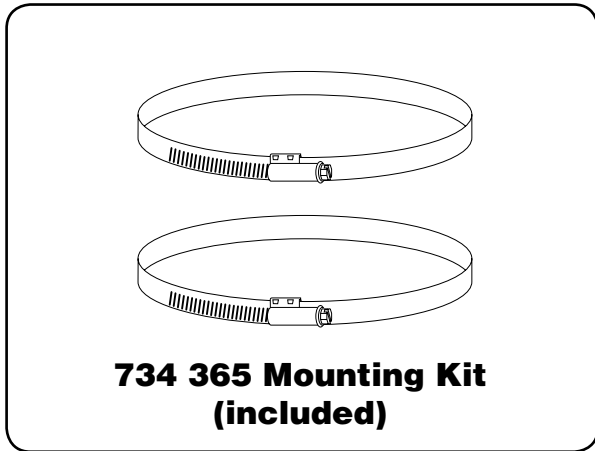
Horizontal pattern
±45°- polarization



Vertical pattern
±45°- polarization

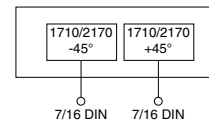
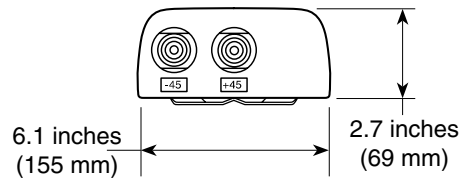
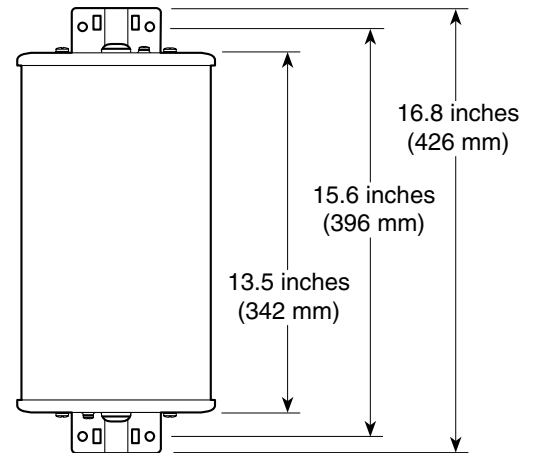


11268-A
936.3862/a



Mounting Options:

Model	Description
734 365 (included)	Mounting Kit for 1.8 to 4.9 inch (45 to 125 mm) OD mast.
742 263	Three-panel Sector Mounting Kit (120 deg. ea.) for 3.5 inch (89 mm) OD mast.
732 327	Tilt Kit for use with the above mounting kits, 0–36 degrees downtilt angle.



Order Information:

Model	Description
739 489V01	Antenna with 2 x 7-16 DIN connectors

All specifications are subject to change without notice. The latest specifications are available at www.kathrein-scala.com.

Kathrein Inc., Scala Division Post Office Box 4580 Medford, OR 97501 (USA) Phone: (541) 779-6500 Fax: (541) 779-3991
Email: communications@kathrein.com Internet: www.kathrein-scala.com