

Kathrein-Scala vertically polarized panels are part of a series of antenna products for PCS, PCN, and other applications in the 1850-1990 MHz band, featuring:

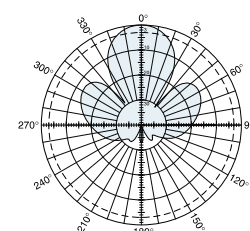
- Patented manufacturing techniques with materials selected for long life and reliability in space diversity systems.
- Superior electrical performance, with low VSWR, wide bandwidth, flat frequency response, and extremely low intermodulation products.
- An extremely low profile design provides minimal visual impact.
- High strength pultruded fiberglass radomes.
- Downtilt options.

**Specifications:**

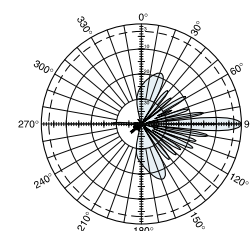
Frequency range	1710–1990 MHz	
Gain	1710–1880 MHz	20.5 dBi
	1880–1990 MHz	21 dBi
Impedance	50 ohms	
VSWR	< 1.5:1	
Intermodulation (2x20w)	IM3: -150 dBc	
Polarization	Vertical	
Front-to-back ratio	>25 dB	
Maximum input power	200 watts (at 50°C)	
H-plane beamwidth	33 degrees (half-power)	
E-plane beamwidth	6.5 degrees (half-power)	
Connector	7/16 DIN female	
Weight	16.5 lb (7.5 kg)	
Dimensions	51.2 x 10.4 x 2.3 inches (1302 x 262 x 59 mm)	
Equivalent flat plate area	4.81 ft <sup>2</sup> (0.447 m <sup>2</sup> )	
Wind survival rating*	120 mph (200 kph)	
Shipping dimensions	55.6 x 11.1 x 3.9 inches (1412 x 282 x 99 mm)	
Shipping weight	30 lb (13.6 kg)	
Mounting	Fixed and tilt-mount options are available for 2 to 4.6 inch (50 to 115 mm) OD masts.	

See reverse for order information.

\* Mechanical design is based on environmental conditions as stipulated in EIA-222-F (June 1996) and/or ETS 300 019-1-4 which include the static mechanical load imposed on an antenna by wind at maximum velocity. See the Engineering Section of the catalog for further details.



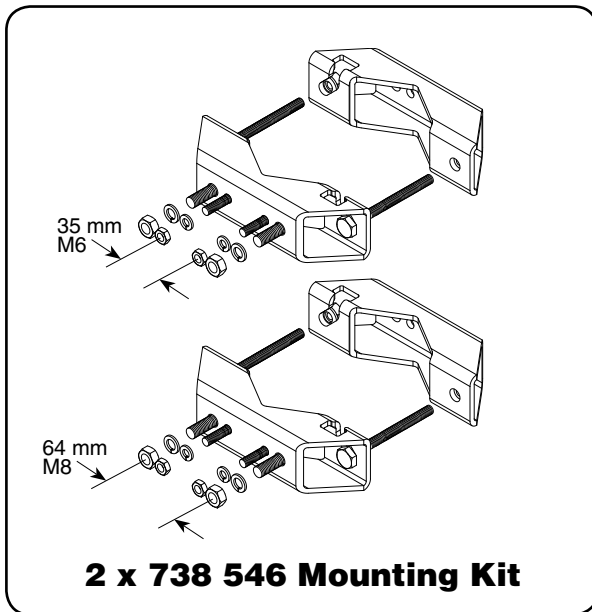
H-plane  
Horizontal pattern  
V-polarization



E-plane  
Vertical pattern  
V-polarization

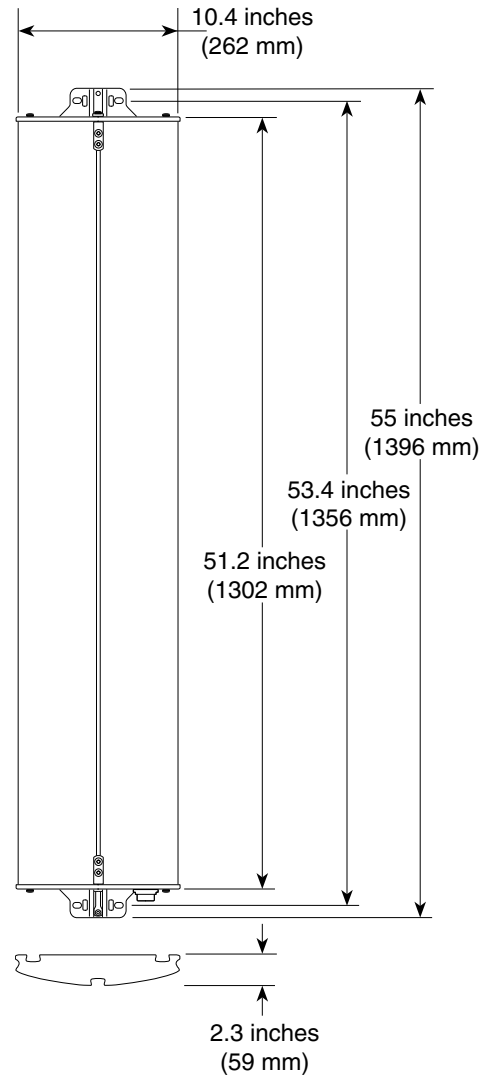


10524-C  
936.1278/f



**Mounting Options:**

Model	Description
2 x 738 546	Mounting Kit for 2 to 4.6 inch (50 to 115 mm) OD mast.
737 978	Tilt Mount Kit 0–15 degrees downtilt angle.



**Order Information:**

Model	Description
739 134	Antenna with 7/16 DIN connectors

All specifications are subject to change without notice. The latest specifications are available at [www.kathrein-scala.com](http://www.kathrein-scala.com).

Kathrein Inc., Scala Division Post Office Box 4580 Medford, OR 97501 (USA) Phone: (541) 779-6500 Fax: (541) 779-3991  
Email: [communications@kathrein.com](mailto:communications@kathrein.com) Internet: [www.kathrein-scala.com](http://www.kathrein-scala.com)